



Chipsmall Limited consists of a professional team with an average of over 10 year of expertise in the distribution of electronic components. Based in Hongkong, we have already established firm and mutual-benefit business relationships with customers from,Europe,America and south Asia,supplying obsolete and hard-to-find components to meet their specific needs.

With the principle of “Quality Parts,Customers Priority,Honest Operation,and Considerate Service”,our business mainly focus on the distribution of electronic components. Line cards we deal with include Microchip,ALPS,ROHM,Xilinx,Pulse,ON,Everlight and Freescale. Main products comprise IC,Modules,Potentiometer,IC Socket,Relay,Connector.Our parts cover such applications as commercial,industrial, and automotives areas.

We are looking forward to setting up business relationship with you and hope to provide you with the best service and solution. Let us make a better world for our industry!



Contact us

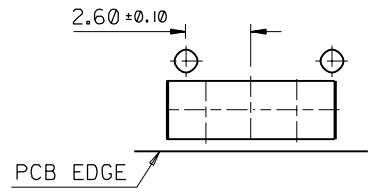
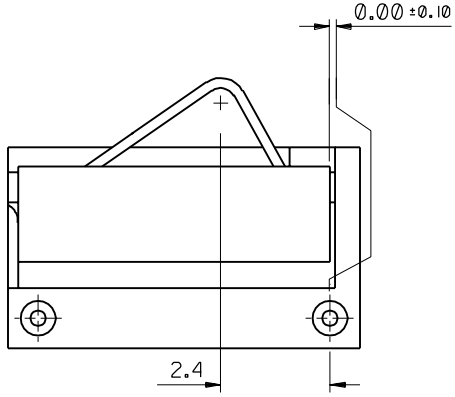
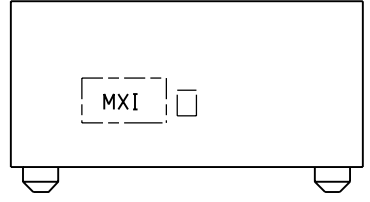
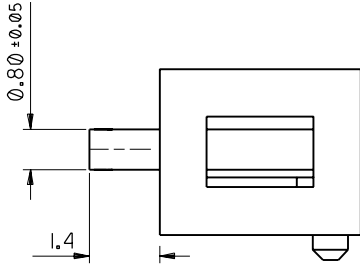
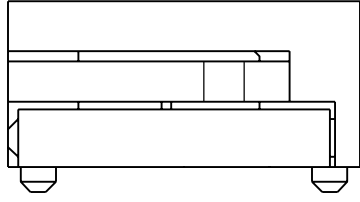
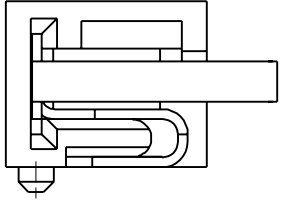
Tel: +86-755-8981 8866 Fax: +86-755-8427 6832

Email & Skype: info@chipsmall.com Web: www.chipsmall.com

Address: A1208, Overseas Decoration Building, #122 Zhenhua RD., Futian, Shenzhen, China



PART NO. 90868-0003
 DWG. NO. SDA-90868E



RECOMMENDED PCB THICKNESS: 1.2
 RECOMMENDED PCB LAYOUT

NOTES:

- FOR ALL UNSTATED DIMENSIONS SEE SHEET 1.
- MATERIALS:
 HOUSING: 30% G.F. PA 46, COLOUR BLACK.
 CONTACT: 0.20 REF. BERYLLIUM COPPER.
- PLATING: NICKEL 1.27µm MIN. UNDERCOAT OVERALL.
 GOLD FLASH 0.10µm MIN. OVER PALLADIUM-NICKEL 1.0µm MIN. IN CONTACT AREA.
- PACKAGING: TAPE AND REEL (EMBOSSSED TAPE), SEE SDA-90868-0001.
- SEE PRODUCT SPECIFICATION PS-99020-0041.
- MXI AND CAVITY I.D. RAISED IN THESE AREAS MAX 0.1 TEXT HEIGHT MAX 1.5

FOR PREVIOUS DRAWING ISSUES SEE MRI.

REV	DESCRIPTION	MAJOR	QUALITY SYMBOLS
		CRITICAL	
EC NO.	DESCRIPTION		
D	SEE SHEET 1		
CHK:			
APPR:			

GENERAL TOLERANCES: (UNLESS SPECIFIED)	
mm	INCH
4 PLACES ±0.	±.
3 PLACES ±0.	±.
2 PLACES ±0.10	±.
1 PLACE ±0.20	±.
ANGULAR: ± 1°	
DRAFT WHERE APPLICABLE MUST REMAIN WITHIN DIMENSIONS	

SCALE 10:1	DESIGN UNITS <input checked="" type="checkbox"/> mm <input type="checkbox"/> INCH
DRAWN BY & DATE PMCAID 26.05.99	
CHECKED BY & DATE CCONLON 18.08.99	
APPROVED BY & DATE MWILHITE 18.08.99	
CAD FILENAME	

DIMENSIONS: <input type="checkbox"/> mm <input type="checkbox"/> INCH <input checked="" type="checkbox"/> mm ONLY		SHT	REV
THIRD ANGLE PROJECTION			
TITLE: ONE CIRCUIT BATTERY CONNECTOR			
MATERIAL NO. 90868-0003		DRAWING NO. SDA-90868E	SHEET NO. 20F
THIS DRAWING CONTAINS INFORMATION THAT IS PROPRIETARY TO MOLEX INCORPORATED AND SHOULD NOT BE USED WITHOUT WRITTEN PERMISSION.			SIZE B