



Chipsmall Limited consists of a professional team with an average of over 10 year of expertise in the distribution of electronic components. Based in Hongkong, we have already established firm and mutual-benefit business relationships with customers from,Europe,America and south Asia,supplying obsolete and hard-to-find components to meet their specific needs.

With the principle of “Quality Parts,Customers Priority,Honest Operation,and Considerate Service”,our business mainly focus on the distribution of electronic components. Line cards we deal with include Microchip,ALPS,ROHM,Xilinx,Pulse,ON,Everlight and Freescale. Main products comprise IC,Modules,Potentiometer,IC Socket,Relay,Connector.Our parts cover such applications as commercial,industrial, and automotives areas.

We are looking forward to setting up business relationship with you and hope to provide you with the best service and solution. Let us make a better world for our industry!



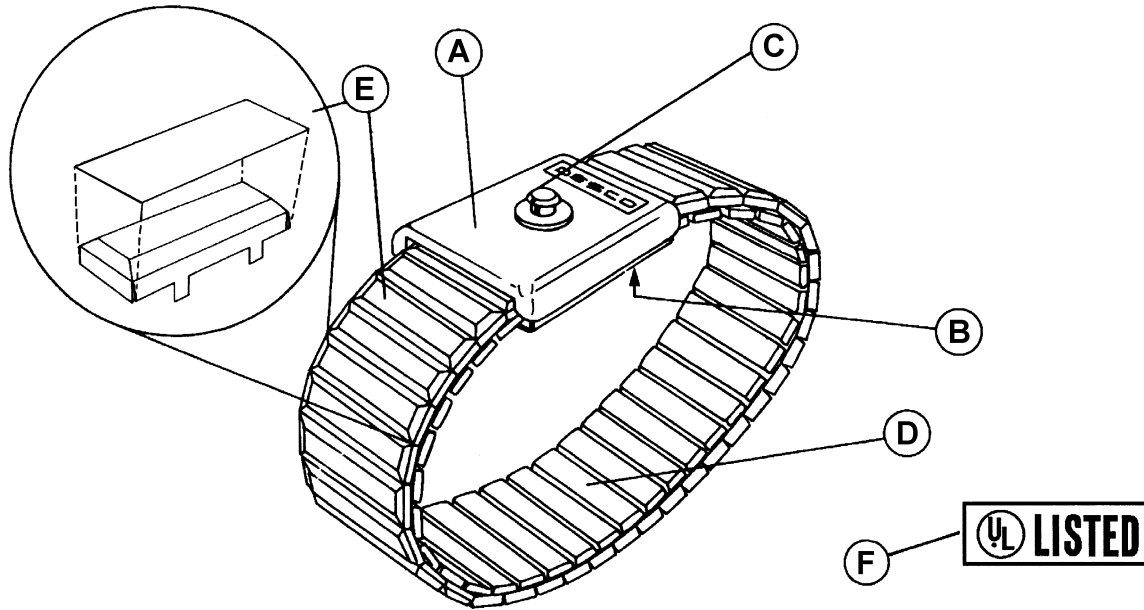
Contact us

Tel: +86-755-8981 8866 Fax: +86-755-8427 6832

Email & Skype: info@chipsmall.com Web: www.chipsmall.com

Address: A1208, Overseas Decoration Building, #122 Zhenhua RD., Futian, Shenzhen, China





- A. Black ABS plastic cap. Molded with DESCO's name and part number.
- B. 300 series stainless steel backplate (0.015" thick). Manufacturing date code is stamped into stainless steel back plate.

- C. 4mm snap stud machined from 300 series stainless steel. Fits to 4mm spring loaded medical type socket. Coil cord disengages from snap with 1-5 lbs. of perpendicular force. Durable, providing long life well beyond that of sheet metal snaps.

- D. Premium metal expansion wrist strap. Inside links are constructed of 300 Series Stainless Steel. Width of links is 0.630".

- E. .002" polyphenylsulfone sheet is laminated to each link before assembly. Provides >5,000 volt RMS insulation per ASTM D149. Will not flake or peel.

- F. Underwriters' Laboratory listed 90P1C.

Meets or exceeds requirements of EOS/ESD-S1-1987.

ITEM	Description	CIRCUMFERENCE		Width	Links Inside	Links Outside
		Min	Max			
09043	Band Only, Large	7.25"	13"	.630"	40	41
09044	Band Only, Medium	6.5"	12"	.630"	36	37
09045	Band Only, Small	5.5"	10"	.630"	30	31
09086	Band w/6' Coil Cord, Large	7.25"	13"	.630"	40	41
09087	Band w/6' Coil Cord, Medium	6.5"	12"	.630"	36	37
09088	Band w/6' Coil Cord, Small	5.5"	10"	.630"	30	31

Meets ESD S1.1 cuff resistance interior =100 kilohms (1 x 10E2 ohms)
 Meets ESD S1.1 cuff resistance exterior =10 megohms (1 x 10E7 ohms)

Specifications and procedures subject to change without notice.



Premium Fixed Size Metal Expansion Wrist Straps

DESCO

DESCO WEST: 3651 WALNUT AVE., CHINO, CA 91710 WEB SITE: Desco.com
 PHONE (909) 627-8178 FAX (909) 627-7449
 DESCO EAST: ONE COLGATE WAY, CANTON, MA 02021-1407
 PHONE (781) 821-8370 FAX (781) 575-0172

DRAWING NUMBER
09043

DATE:
February
2010