



Chipsmall Limited consists of a professional team with an average of over 10 year of expertise in the distribution of electronic components. Based in Hongkong, we have already established firm and mutual-benefit business relationships with customers from,Europe,America and south Asia,supplying obsolete and hard-to-find components to meet their specific needs.

With the principle of “Quality Parts,Customers Priority,Honest Operation,and Considerate Service”,our business mainly focus on the distribution of electronic components. Line cards we deal with include Microchip,ALPS,ROHM,Xilinx,Pulse,ON,Everlight and Freescale. Main products comprise IC,Modules,Potentiometer,IC Socket,Relay,Connector.Our parts cover such applications as commercial,industrial, and automotives areas.

We are looking forward to setting up business relationship with you and hope to provide you with the best service and solution. Let us make a better world for our industry!



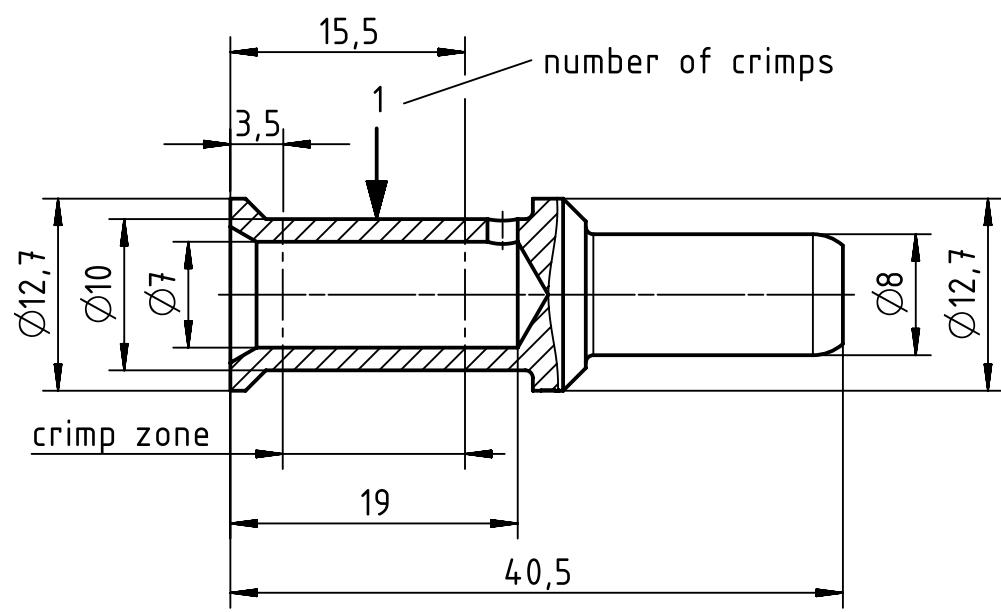
## Contact us

Tel: +86-755-8981 8866 Fax: +86-755-8427 6832

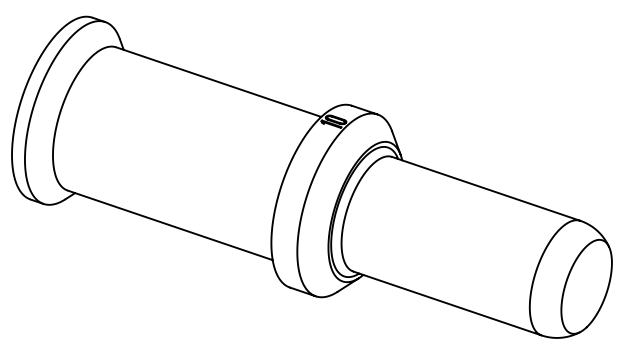
Email & Skype: info@chipsmall.com Web: www.chipsmall.com


Address: A1208, Overseas Decoration Building, #122 Zhenhua RD., Futian, Shenzhen, China





assembly notes see catalog  
 crimp zone acc. to DIN EN 46235; indicator 10  
 for stranded fine wire acc. to VDE 0295 class 5 / IEC 60228 class 5  
 wire gauge: 25mm<sup>2</sup>  
 stripping length: 19mm



	All Dimensions in mm Original Size DIN A4		Scale 2:1	Free size tol.		Ref.	
	All rights reserved Department EL PD - DE		Created by SCHULZI	Inspected by SCHNIEDER	Standardisation SCHMIDTM	Date 2015-01-27	State Final Release
HARTING Electric GmbH & Co. KG D-32339 Espelkamp			Title Han TC100 male contact 25mm <sup>2</sup>			Doc-Key / ECM-Nr. 100150731/UGD/009/B 500000082399	
			Type TB	Number 09 11 000 6125		Rev. B	Page 1/1