



Chipsmall Limited consists of a professional team with an average of over 10 year of expertise in the distribution of electronic components. Based in Hongkong, we have already established firm and mutual-benefit business relationships with customers from,Europe,America and south Asia,supplying obsolete and hard-to-find components to meet their specific needs.

With the principle of "Quality Parts,Customers Priority,Honest Operation,and Considerate Service",our business mainly focus on the distribution of electronic components. Line cards we deal with include Microchip,ALPS,ROHM,Xilinx,Pulse,ON,Everlight and Freescale. Main products comprise IC,Modules,Potentiometer,IC Socket,Relay,Connector.Our parts cover such applications as commercial,industrial, and automotives areas.

We are looking forward to setting up business relationship with you and hope to provide you with the best service and solution. Let us make a better world for our industry!



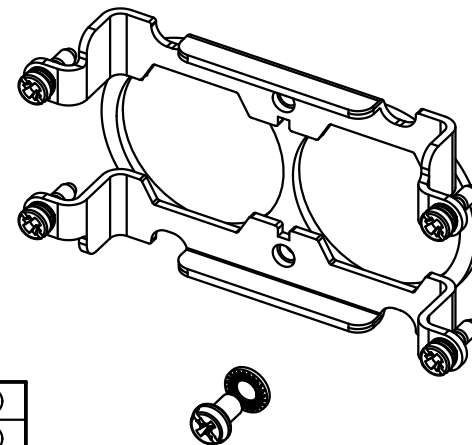
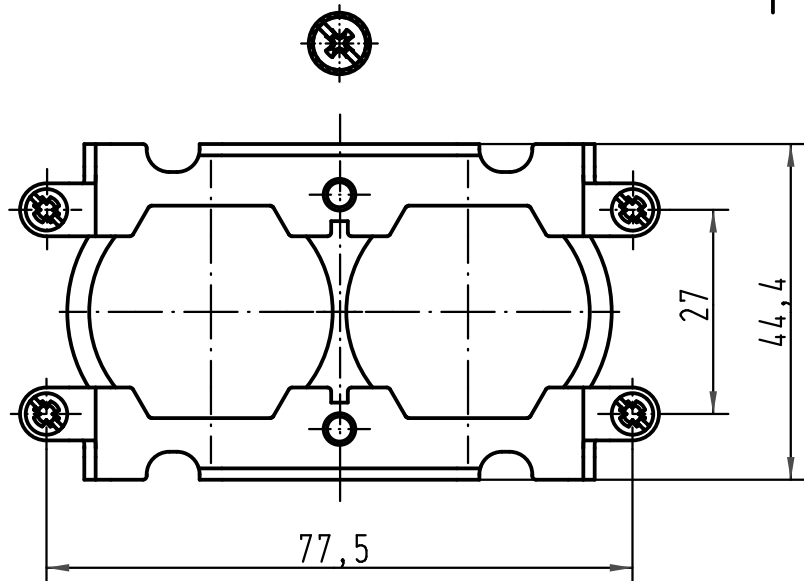
Contact us

Tel: +86-755-8981 8866 Fax: +86-755-8427 6832

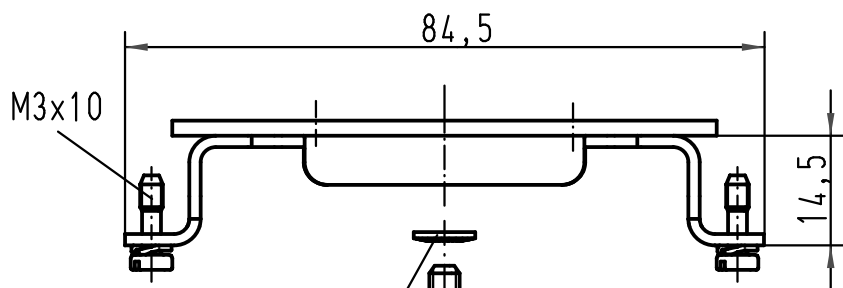
Email & Skype: info@chipsmall.com Web: www.chipsmall.com

Address: A1208, Overseas Decoration Building, #122 Zhenhua RD., Futian, Shenzhen, China





1	2	3	4	⊕
1	2	3	4	⊕
1	2	3	4	⊕
1	2	3	4	⊕



lose beigelegt/
enclosed separately

Klebeetiketten zur Kennzeichnung
der Kontakte und Schutzkontakte
auf den Halterahmen nach
DIN EN 61984, 6.2.3
*Stickers to mark the contacts
and PE contacts on the frame acc. to
DIN EN 61984, 6.2.3*

ALL Dimensions in mm Original Size DIN A 4		Techn. Character.			Nicht tolerierte Maß/Free size tolerances	
			Dat.	Name	Maßstab/Scale 1:1	Han 2HC-Halterung/ Han 2HC-Frame
			Detail.	21.04.09 Ho		
			Insp.	Sch		
			Stand.			
A			HARTING Electric GmbH & Co. KG D-32339 Espelkamp			TB 09 11 000 9952
Mod.	Dat.	Name				
						Blatt/ page