



Chipsmall Limited consists of a professional team with an average of over 10 year of expertise in the distribution of electronic components. Based in Hongkong, we have already established firm and mutual-benefit business relationships with customers from,Europe,America and south Asia,supplying obsolete and hard-to-find components to meet their specific needs.

With the principle of “Quality Parts,Customers Priority,Honest Operation,and Considerate Service”,our business mainly focus on the distribution of electronic components. Line cards we deal with include Microchip,ALPS,ROHM,Xilinx,Pulse,ON,Everlight and Freescale. Main products comprise IC,Modules,Potentiometer,IC Socket,Relay,Connector.Our parts cover such applications as commercial,industrial, and automotives areas.

We are looking forward to setting up business relationship with you and hope to provide you with the best service and solution. Let us make a better world for our industry!



Contact us

Tel: +86-755-8981 8866 Fax: +86-755-8427 6832

Email & Skype: info@chipsmall.com Web: www.chipsmall.com

Address: A1208, Overseas Decoration Building, #122 Zhenhua RD., Futian, Shenzhen, China

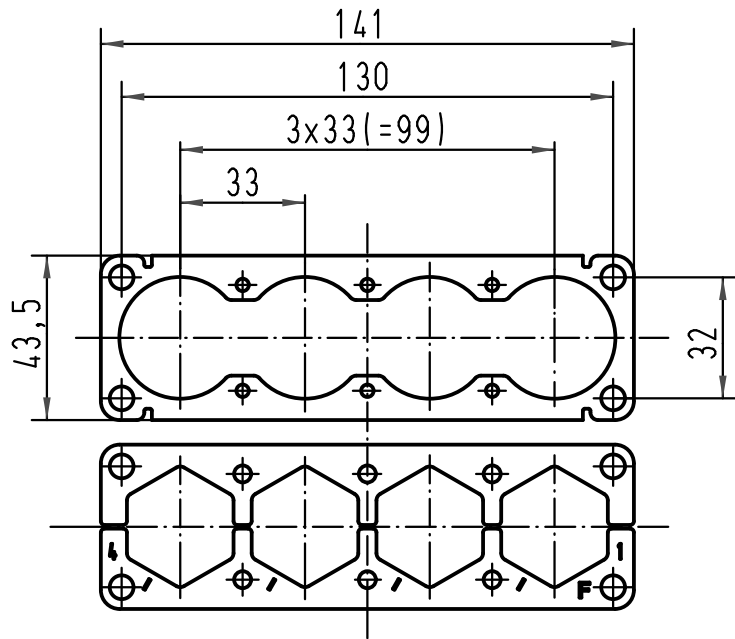


A

B

C

D



Lieferumfang/range of delivery

4xSchraube M6x20
für Tüllengehäuse/
4xscrew M6x20
for hoods

6xSchraube M4/
6xscrew M4

4xSchraube M6x25 für Anbaugehäuse/
4xscrew M6x25 for housings

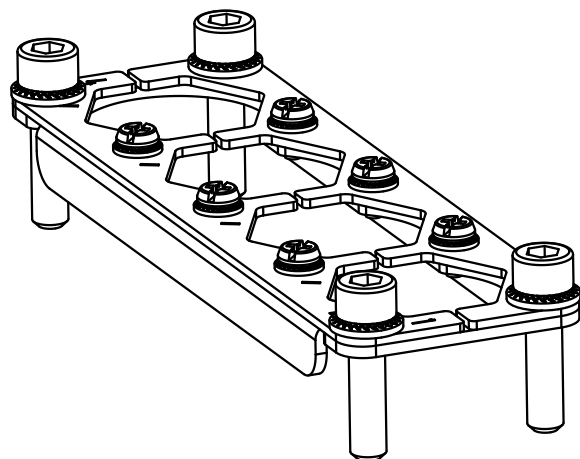
4xM6 Sicherungsscheibe/
4xM6 lock washer

6xM4 Sicherungsscheibe/
6xM4 lock washer



4x Schrumpfschlauch/
shrinking tube

Montageanleitung/
assembly
instruction



ALL Dimensions in mm Original Size DIN A 4		Techn. Character.			Nicht tolerierte Masse/ Free size tolerances	
			Dat.	Name	Massstab/ Scale 1:2	HC 350-Halterung enlarged-F/ HC 350-frame enlarged-F
		Detail.	25.08.06	ML		
		Insp.		Be		
		Stand.				
412391		HARTING Electric GmbH & Co. KG				TB 09 11 000 9965
Mod.	Dat.	Name	D-32339 Espelkamp			
					Sub.	