



Chipsmall Limited consists of a professional team with an average of over 10 year of expertise in the distribution of electronic components. Based in Hongkong, we have already established firm and mutual-benefit business relationships with customers from,Europe,America and south Asia,supplying obsolete and hard-to-find components to meet their specific needs.

With the principle of “Quality Parts,Customers Priority,Honest Operation,and Considerate Service”,our business mainly focus on the distribution of electronic components. Line cards we deal with include Microchip,ALPS,ROHM,Xilinx,Pulse,ON,Everlight and Freescale. Main products comprise IC,Modules,Potentiometer,IC Socket,Relay,Connector.Our parts cover such applications as commercial,industrial, and automotives areas.

We are looking forward to setting up business relationship with you and hope to provide you with the best service and solution. Let us make a better world for our industry!



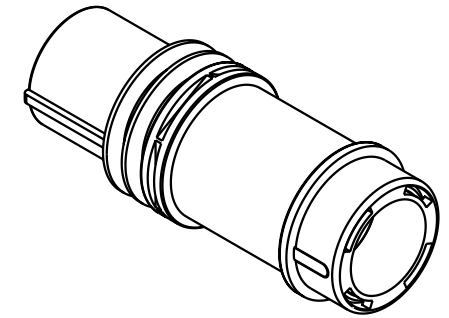
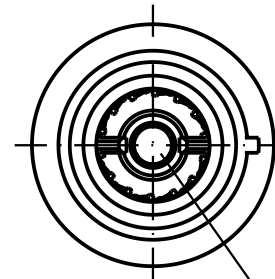
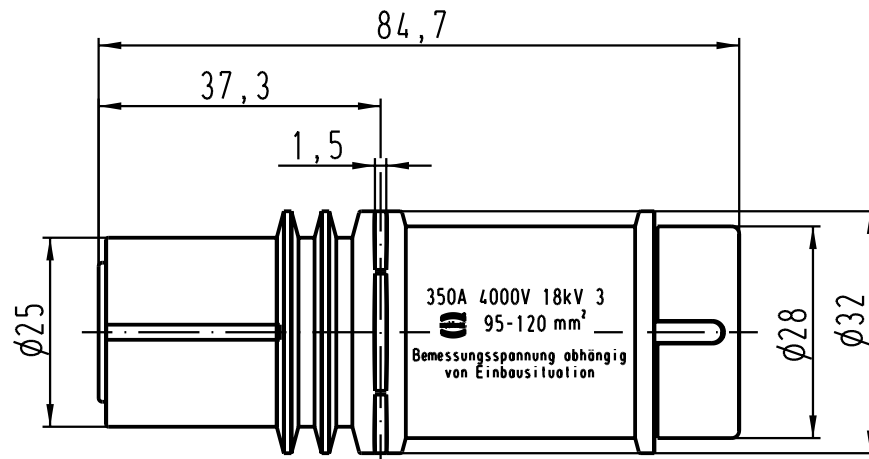
## Contact us

Tel: +86-755-8981 8866 Fax: +86-755-8427 6832

Email & Skype: info@chipsmall.com Web: www.chipsmall.com

Address: A1208, Overseas Decoration Building, #122 Zhenhua RD., Futian, Shenzhen, China






Sechskantschraubendreher SW5  
hexagonal driver

Beispielhafte Darstellung: 09 11 001 2752  
exemplary drawing: 09 11 001 2752

Abisolierlänge: 19<sup>+1</sup> mm  
stripping length: 19<sup>+1</sup> mm

Isolationdurchmesser: max. 19,5 mm  
insulation diameter: max. 19,5 mm

A	(mm <sup>2</sup> )	AWG	Nm	All Dimensions in mm Original Size DIN A 4			Techn. Character.			Nicht tolerierte Masse/ Free size tolerances		
				Mod.	Dat.	Name	Detail.	Dat.	Name	Massstab/ Scale	Han 1HC-F-AX Buchsenträger, axialschraub female insert, axial screw	
09 11 001 2752	95-120	4/0-5/0	12-14				Detail.	29.07.98	SPER	1:1		TB 09 11 001 27..
09 11 001 2751	35-70	2-2/0	6-10	29679	05.07.01	Gö	Insp.		OLE			
09 11 001 2750	20-35	4-2	6	24849	02.12.98	PL	Stand.					
Bestell Nr / Part No		Litzenquerschnitt / Wire gauge		Anzugsmoment / Tightening torque		Mod.		Dat.		Name		
							HARTING KGaA D-32339 ESPELKAMP					Blatt/ page
										Sub.	/	