



Chipsmall Limited consists of a professional team with an average of over 10 year of expertise in the distribution of electronic components. Based in Hongkong, we have already established firm and mutual-benefit business relationships with customers from,Europe,America and south Asia,supplying obsolete and hard-to-find components to meet their specific needs.

With the principle of “Quality Parts,Customers Priority,Honest Operation,and Considerate Service”,our business mainly focus on the distribution of electronic components. Line cards we deal with include Microchip,ALPS,ROHM,Xilinx,Pulse,ON,Everlight and Freescale. Main products comprise IC,Modules,Potentiometer,IC Socket,Relay,Connector.Our parts cover such applications as commercial,industrial, and automotives areas.

We are looking forward to setting up business relationship with you and hope to provide you with the best service and solution. Let us make a better world for our industry!



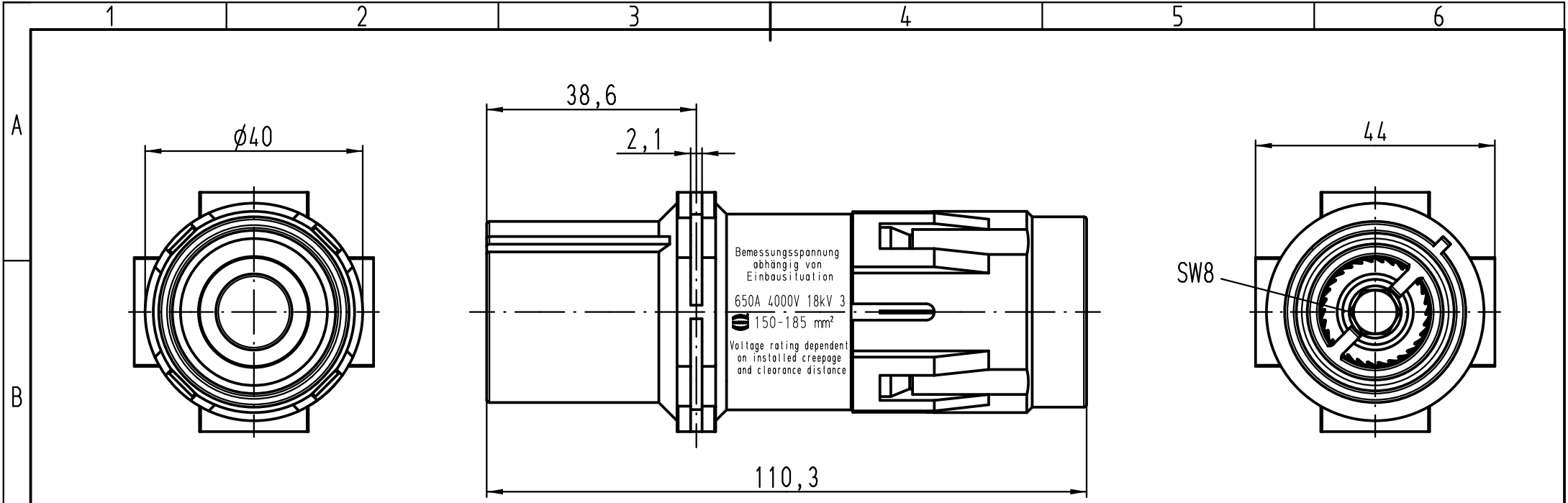
Contact us

Tel: +86-755-8981 8866 Fax: +86-755-8427 6832

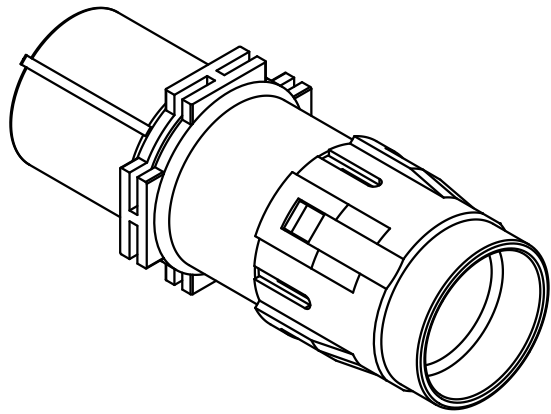
Email & Skype: info@chipsmall.com Web: www.chipsmall.com

Address: A1208, Overseas Decoration Building, #122 Zhenhua RD., Futian, Shenzhen, China





Bemessungsspannung
abhängig von
Einbausituation
650A 4000V 18kV 3
150-185 mm²
Voltage rating dependent
on installed creepage
and clearance distance



Leiterquerschnitt wire gauge	
150-185mm ²	AWG 300-350 MCM

	All Dimensions in mm Original Size DIN A 4			Techn. Character.		Nicht tolerierte Maße/Free size tolerances Han 1HC-bu-AX 650A Buchsenträger, axialschraub <i>female insert, axial screw</i>		
				Dat.	Name		Maßstab/Scale 1:1	
				Detail.	21.02.12			Rull
				Insp.				Sch
			Stand.					
			A		HARTING Electric GmbH & Co. KG D-32339 Espelkamp 	TB 09 11 001 2772 Sub. TB 09 11 001 2772 v. 01.06.99		
			Mod.	Dat.			Name	Blatt/ page