

Chipsmall Limited consists of a professional team with an average of over 10 year of expertise in the distribution of electronic components. Based in Hongkong, we have already established firm and mutual-benefit business relationships with customers from,Europe,America and south Asia,supplying obsolete and hard-to-find components to meet their specific needs.

With the principle of “Quality Parts,Customers Priority,Honest Operation,and Considerate Service”,our business mainly focus on the distribution of electronic components. Line cards we deal with include Microchip,ALPS,ROHM,Xilinx,Pulse,ON,Everlight and Freescale. Main products comprise IC,Modules,Potentiometer,IC Socket,Relay,Connector.Our parts cover such applications as commercial,industrial, and automotives areas.

We are looking forward to setting up business relationship with you and hope to provide you with the best service and solution. Let us make a better world for our industry!



Contact us

Tel: +86-755-8981 8866 Fax: +86-755-8427 6832

Email & Skype: info@chipsmall.com Web: www.chipsmall.com

Address: A1208, Overseas Decoration Building, #122 Zhenhua RD., Futian, Shenzhen, China

5

4

3

2

1

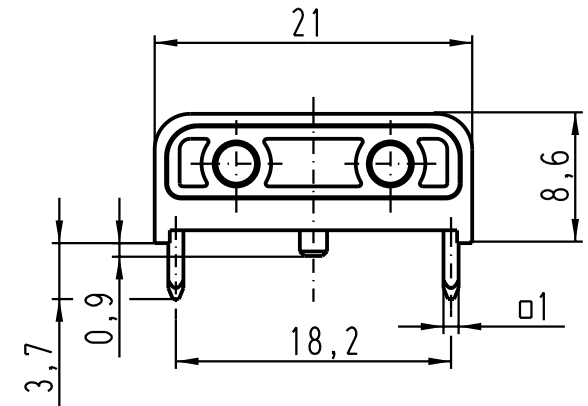
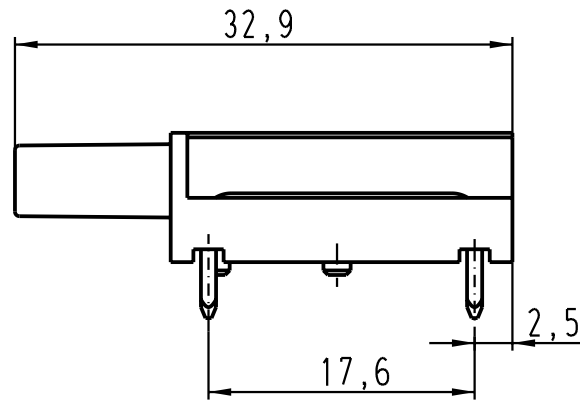
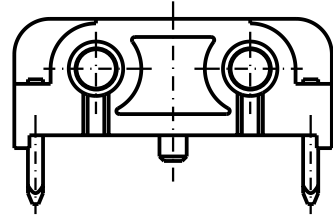
D

C

B

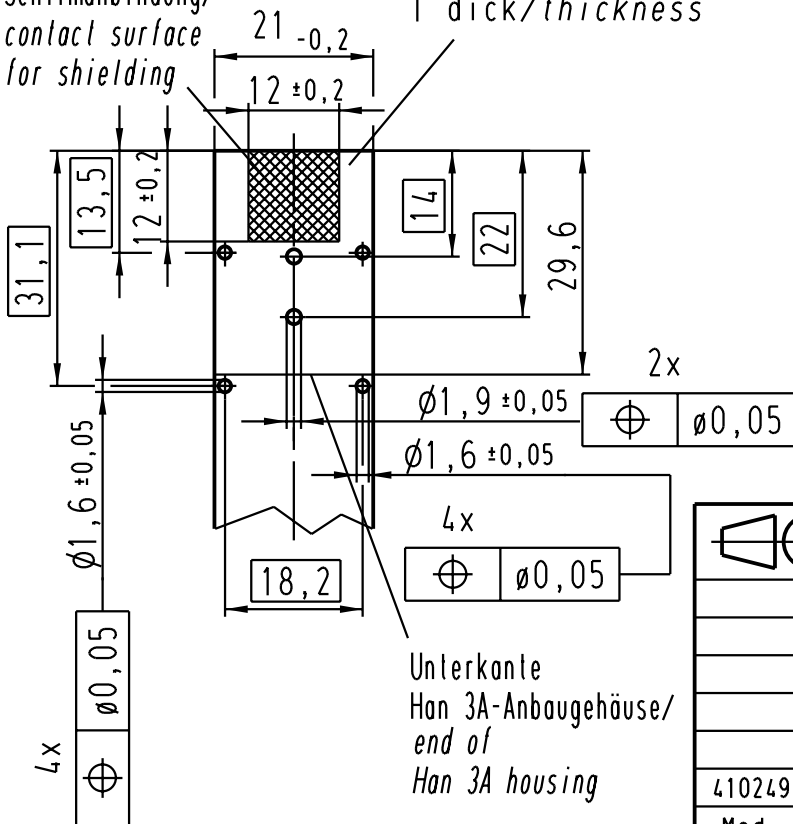
A

PCB-layout
1:1

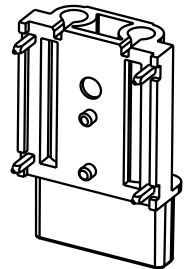
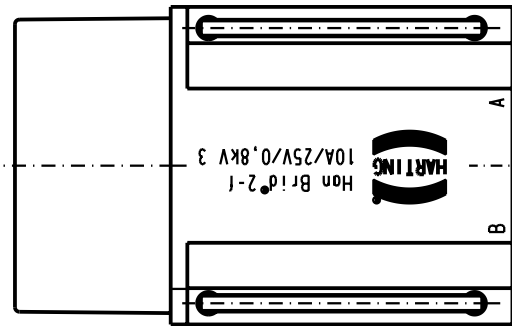


Kontaktfläche zur
Schirmanbindung/
contact surface
for shielding

1 dick/thickness



Unterkante
Han 3A-Anbaugehäuse/
end of
Han 3A housing



		Techn. Character.			Nicht tolerierte Masse/ Free size tolerances	
		Dat.		Name		Massstab/Scale 2:1 1:1
		Detail.		Gö		
		Insp.		HERB.		
		Stand.				
410249		HARTING Electric GmbH & Co. KG				
Mod.		Dat.		Name		
		D-32339 Espelkamp			Han Brid-bu-c Cu-Bus-Modul (G) Han Brid-bu-c Cu-bus-module (d)	
					TB 09 12 002 3101	
					Blatt/ page	
					Sub.	