



Chipsmall Limited consists of a professional team with an average of over 10 year of expertise in the distribution of electronic components. Based in Hongkong, we have already established firm and mutual-benefit business relationships with customers from,Europe,America and south Asia,supplying obsolete and hard-to-find components to meet their specific needs.

With the principle of “Quality Parts,Customers Priority,Honest Operation,and Considerate Service”,our business mainly focus on the distribution of electronic components. Line cards we deal with include Microchip,ALPS,ROHM,Xilinx,Pulse,ON,Everlight and Freescale. Main products comprise IC,Modules,Potentiometer,IC Socket,Relay,Connector.Our parts cover such applications as commercial,industrial, and automotives areas.

We are looking forward to setting up business relationship with you and hope to provide you with the best service and solution. Let us make a better world for our industry!



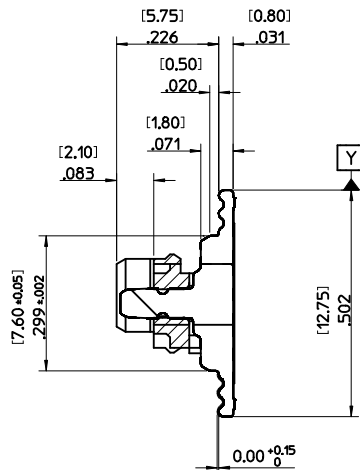
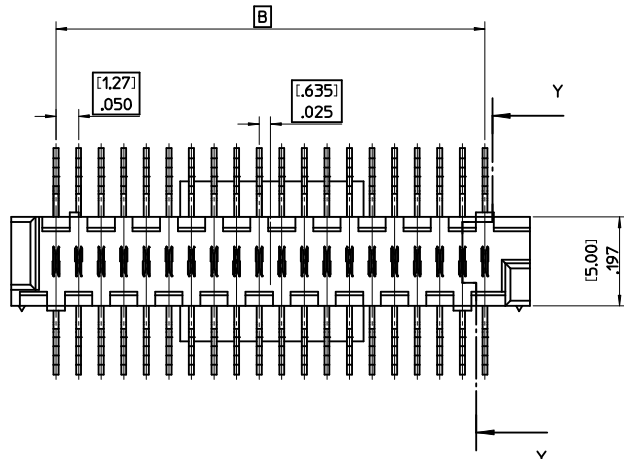
Contact us

Tel: +86-755-8981 8866 Fax: +86-755-8427 6832

Email & Skype: info@chipsmall.com Web: www.chipsmall.com

Address: A1208, Overseas Decoration Building, #122 Zhenhua RD., Futian, Shenzhen, China





91330-0026	26	(36.80)/1.449	(31.75)/1.25	(37.33)/1.470
91330-0024	24	(34.26)/1.349	(29.21)/1.15	(34.81)/1.370
91330-0022	22	(31.72)/1.249	(26.67)/1.05	(32.27)/1.270
91330-0020	20	(29.18)/1.149	(24.13)/.95	(29.73)/1.170
91330-0018	18	(26.64)/1.049	(21.59)/.85	(27.19)/1.070
91330-0016	16	(24.10)/.949	(19.05)/.75	(24.65)/.970
91330-0014	14	(21.56)/.849	(16.51)/.65	(22.11)/.870
91330-0012	12	(19.02)/.749	(13.97)/.55	(19.57)/.770
91330-0010	10	(16.48)/.649	(11.43)/.45	(17.03)/.670
91330-0008	8	(13.94)/.549	(8.89)/.35	(14.49)/.570
91330-0006	6	(11.40)/.449	(6.35)/.25	(11.95)/.470
PART No.	CCT	DIM. A	DIM.B	DIM.C (±0.25) ±0.10

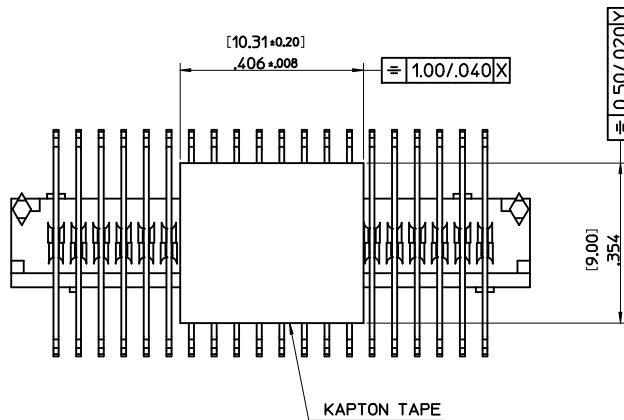
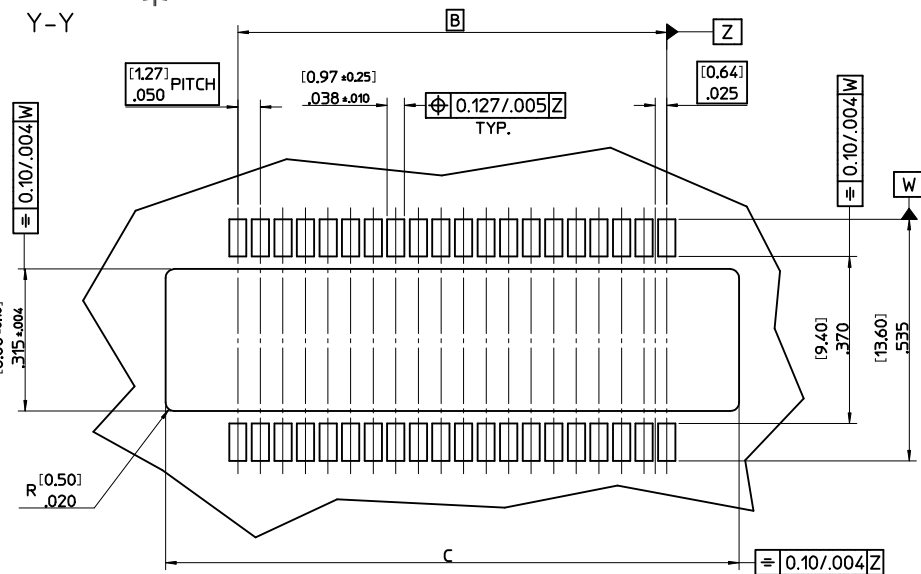
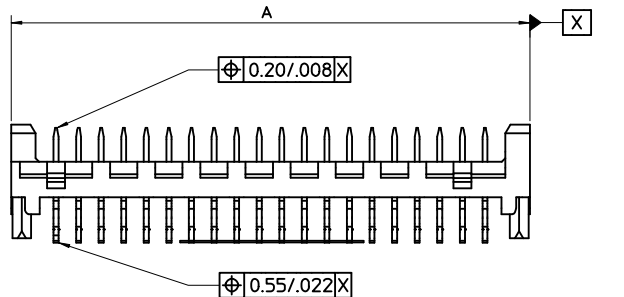
NOTES:

1.MATERIALS:

HOUSING: POLYAMIDE 46, 30% GLASS FILL, NATURAL, UL94 V-0
 TERMINAL: BRASS [0.28]/.011 REF. THICK
 KAPTAN TAPE: POLYAMIDE [0.08]/.003 REF. THICK

2.PLATING:TIN

3.PACKAGING: TAPE AND REEL PER PK-91330-003



RECOMMENDED PCB LAYOUT
 THICKNESS=[1.57+0.13]/.062±.005

ADD 6CKT OPTION EC NO: E2005-1005 DRWN:GMCSEEE005/05/24 CHKD:DMORART005/05/24 APPR:JDENNEH2005/05/27	QUALITY SYMBOLS	GENERAL TOLERANCES (UNLESS SPECIFIED)	SCALE 5:1	DESIGN UNITS METRIC	THIRD ANGLE PROJECTION	REVISE ON CAD ONLY															
	▽ - 0 ∇ - 0	<table border="1"> <tr><th></th><th>mm</th><th>INCH</th></tr> <tr><td>4 PLACES</td><td>± .004</td><td>± .0001</td></tr> <tr><td>3 PLACES</td><td>± .004</td><td>± .0001</td></tr> <tr><td>2 PLACES</td><td>± 0.10</td><td>± .004</td></tr> <tr><td>1 PLACE</td><td>± .004</td><td>± .0001</td></tr> </table>		mm	INCH	4 PLACES	± .004	± .0001	3 PLACES	± .004	± .0001	2 PLACES	± 0.10	± .004	1 PLACE	± .004	± .0001	DIMENSION STYLE IN/MM DRAWN BY MOR DATE 98/07/08 CHECKED BY DOS DATE 98/07/08	DIMENSION STYLE IN/MM DRAWN BY MOR DATE 98/07/08 CHECKED BY DOS DATE 98/07/08	TITLE PICOFLEX SMT HEADER THROUGH BOARD	
		mm	INCH																		
	4 PLACES	± .004	± .0001																		
3 PLACES	± .004	± .0001																			
2 PLACES	± 0.10	± .004																			
1 PLACE	± .004	± .0001																			
DRAFT WHERE APPLICABLE MUST REMAIN WITHIN DIMENSIONS	APPROVED BY JHORGAN DATE 98/07/08	APPROVED BY JHORGAN DATE 98/07/08	MATERIAL NO. SEE CHART DOCUMENT NO. SD-91330-001	SHEET NO. 1 OF 1	THIS DRAWING CONTAINS INFORMATION THAT IS PROPRIETARY TO MOLEX INCORPORATED AND SHOULD NOT BE USED WITHOUT WRITTEN PERMISSION																
REV	DESCRIPTION					A2															