



Chipsmall Limited consists of a professional team with an average of over 10 year of expertise in the distribution of electronic components. Based in Hongkong, we have already established firm and mutual-benefit business relationships with customers from,Europe,America and south Asia,supplying obsolete and hard-to-find components to meet their specific needs.

With the principle of “Quality Parts,Customers Priority,Honest Operation,and Considerate Service”,our business mainly focus on the distribution of electronic components. Line cards we deal with include Microchip,ALPS,ROHM,Xilinx,Pulse,ON,Everlight and Freescale. Main products comprise IC,Modules,Potentiometer,IC Socket,Relay,Connector.Our parts cover such applications as commercial,industrial, and automotives areas.

We are looking forward to setting up business relationship with you and hope to provide you with the best service and solution. Let us make a better world for our industry!



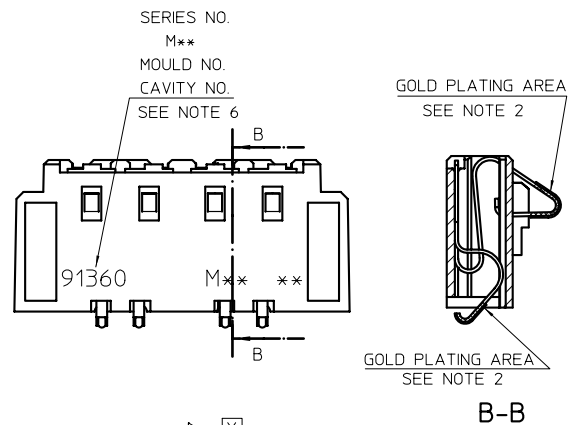
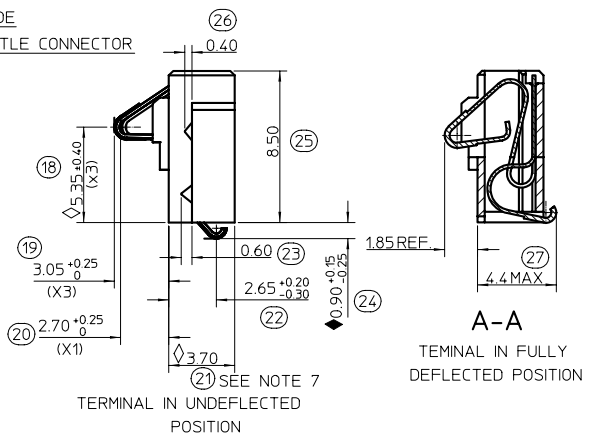
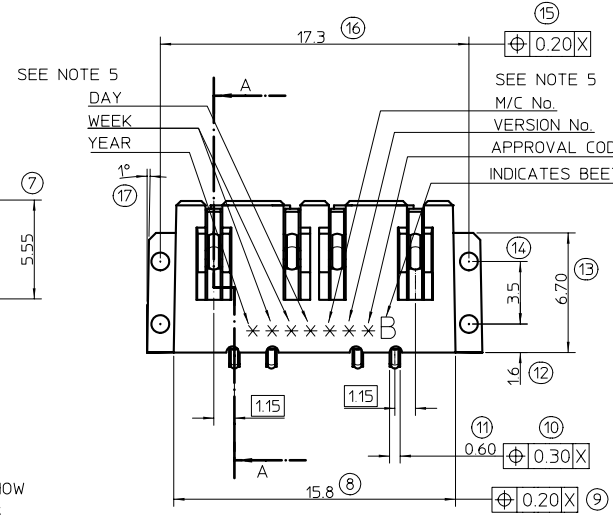
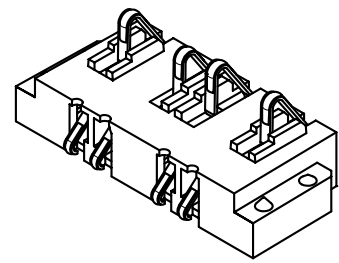
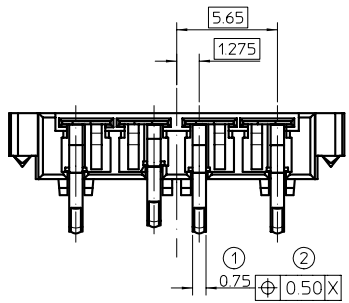
## Contact us

Tel: +86-755-8981 8866 Fax: +86-755-8427 6832

Email & Skype: info@chipsmall.com Web: www.chipsmall.com

Address: A1208, Overseas Decoration Building, #122 Zhenhua RD., Futian, Shenzhen, China





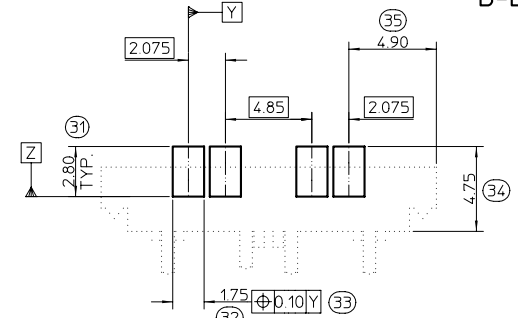
NOTES:

- MATERIALS:  
HOUSING: POLYESTER (PBT), 30% GLASS FILL, UL94 V-0, COLOUR BLACK  
CONTACT: PHOSPHOR BRONZE CuSn8 0.15 REF. THICK
- PLATING:  
25um NICKEL UNDERCOAT ALLOVER. 0.76um HARD GOLD AT CROWN POINT. GOLD FLASH PRESENT OVER BEADED AREA.
- PACKAGING: TAPE AND REEL
- PART WEIGHT IS 0.66g
- DATECODE CONSISTING OF YEAR, WEEK, DAY, M/C NO., VERSION No., APPROVAL CODING  
APPROVAL CODING: 'V' INDICATES PART FROM PRE-APPROVED LINE. 'A' INDICATES PART FROM APPROVED LINE.  
TO BE HOT STAMPED WITH 1.6mm HIGH TEXT.
- TEXT TO BE 1.0mm HIGH & RECESSED 0.1mm - M\*\* DENOTES MOLEX ENTITY WHERE PART WAS MOULDED: MXI=SHANNON, MSH=SHANGHAI, MX=US
- DIMENSIONS 21 AND 30 TO BE USED FOR MOULD Cpk STUDIES.  
LAST INSPECTION NUMBER USED: (35)

VERSION No.	DESCRIPTION
3	MATERIAL CHANGED FROM GREY TO BLACK

VARIOUS MODS:  
E2001-0530  
EKELLY 00/11/08

◇ = 3  
◆ = 1



RECOMMENDED PCB LAYOUT

5:1 X X  
CTOBIN  
MWILHITE

91360-0003