



Chipsmall Limited consists of a professional team with an average of over 10 year of expertise in the distribution of electronic components. Based in Hongkong, we have already established firm and mutual-benefit business relationships with customers from,Europe,America and south Asia,supplying obsolete and hard-to-find components to meet their specific needs.

With the principle of “Quality Parts,Customers Priority,Honest Operation,and Considerate Service”,our business mainly focus on the distribution of electronic components. Line cards we deal with include Microchip,ALPS,ROHM,Xilinx,Pulse,ON,Everlight and Freescale. Main products comprise IC,Modules,Potentiometer,IC Socket,Relay,Connector.Our parts cover such applications as commercial,industrial, and automotives areas.

We are looking forward to setting up business relationship with you and hope to provide you with the best service and solution. Let us make a better world for our industry!



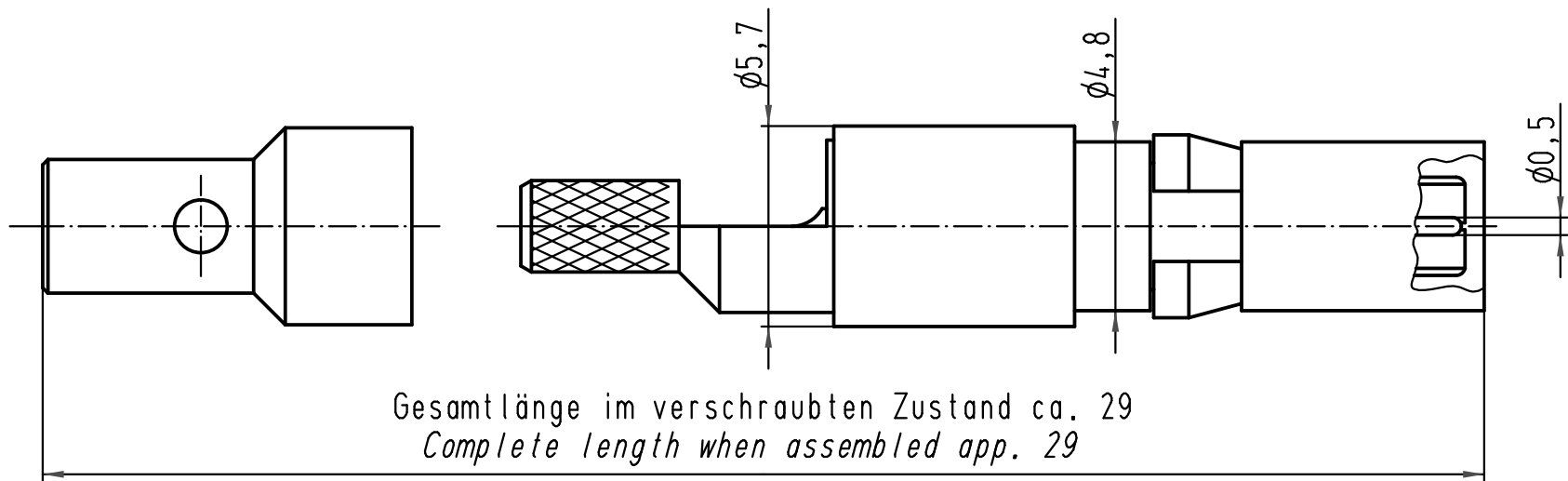
Contact us

Tel: +86-755-8981 8866 Fax: +86-755-8427 6832

Email & Skype: info@chipsmall.com Web: www.chipsmall.com

Address: A1208, Overseas Decoration Building, #122 Zhenhua RD., Futian, Shenzhen, China



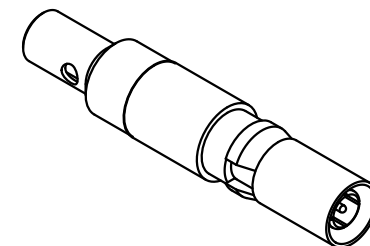


Gesamtlänge im verschraubten Zustand ca. 29
 Complete length when assembled app. 29

Eingebaut in Multikontakt-Modul 09 14 004 4512
 mounted in multicontact-modul 09 14 004 4512

75Ω Leitungen / 75Ω wires
 RG 179B/U, RG 187A/U

für geraden Leiteranschluß zum Löten und/oder Crimpen
 for straight solder and/or crimp terminations



All Dimensions in mm Original Size DIN A 4		Techn. Character.			Nicht tolerierte Maß/Free size tolerances	
			Dat.	Name	Maßstab/Scale 5:1	Koaxialkontaktstift <i>coaxial male contact</i> nach DIN 41626 according to DIN 41626
		Detail.	23.10.08	Bor		
		Insp.		Be		
		Stand.				
A		HARTING Electric GmbH & Co. KG D-32339 Espelkamp				TB 09 14 000 6121
Mod.	Dat.	Name				
						Blatt/page