



Chipsmall Limited consists of a professional team with an average of over 10 year of expertise in the distribution of electronic components. Based in Hongkong, we have already established firm and mutual-benefit business relationships with customers from,Europe,America and south Asia,supplying obsolete and hard-to-find components to meet their specific needs.

With the principle of "Quality Parts,Customers Priority,Honest Operation,and Considerate Service",our business mainly focus on the distribution of electronic components. Line cards we deal with include Microchip,ALPS,ROHM,Xilinx,Pulse,ON,Everlight and Freescale. Main products comprise IC,Modules,Potentiometer,IC Socket,Relay,Connector.Our parts cover such applications as commercial,industrial, and automotives areas.

We are looking forward to setting up business relationship with you and hope to provide you with the best service and solution. Let us make a better world for our industry!



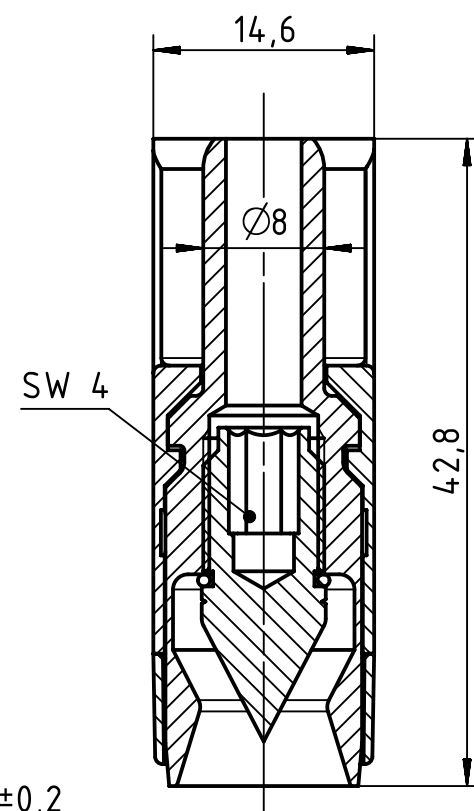
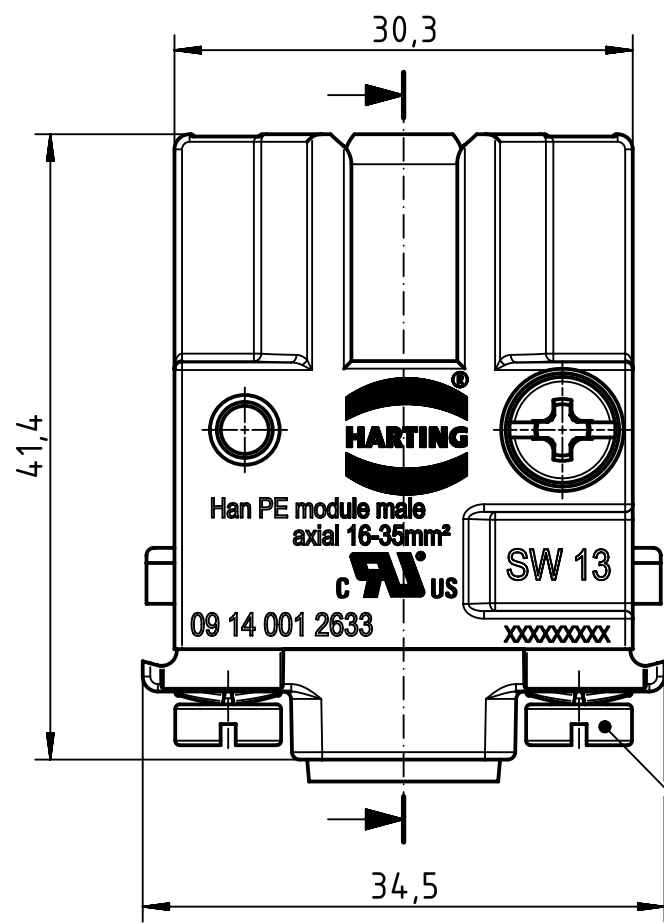
## Contact us

Tel: +86-755-8981 8866 Fax: +86-755-8427 6832

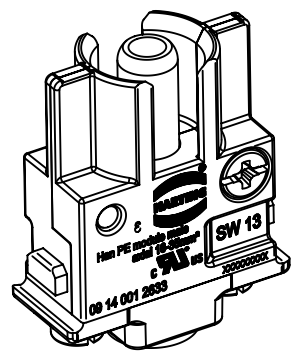
Email & Skype: info@chipsmall.com Web: www.chipsmall.com

Address: A1208, Overseas Decoration Building, #122 Zhenhua RD., Futian, Shenzhen, China





stripping length: 13mm  
 tightening torque: 16mm<sup>2</sup> 25mm<sup>2</sup> 35mm<sup>2</sup>  
                                   6Nm     7Nm     8Nm  
 for stranded wire 16-35mm<sup>2</sup>, AWG 4-2



	All Dimensions in mm Original Size DIN A4	Scale	Free size tol.		Ref.	
		2:1			Sub.	
	All rights reserved Department EL PD - DE	Created by	Inspected by	Standardisation	Date	State
		GRUBES	TIEMANNA	RUETERA	2017-03-01	Final Release
HARTING Electric GmbH & Co. KG D-32339 Espelkamp		Title Han PE-module male axial 16-35qmm			Doc-Key / ECM-Nr. 100608243/UGD/002/D 500000116373	
Type	TB	Number	09 14 001 2633		Rev.	Page
					D	1/1