



Chipsmall Limited consists of a professional team with an average of over 10 year of expertise in the distribution of electronic components. Based in Hongkong, we have already established firm and mutual-benefit business relationships with customers from,Europe,America and south Asia,supplying obsolete and hard-to-find components to meet their specific needs.

With the principle of “Quality Parts,Customers Priority,Honest Operation,and Considerate Service”,our business mainly focus on the distribution of electronic components. Line cards we deal with include Microchip,ALPS,ROHM,Xilinx,Pulse,ON,Everlight and Freescale. Main products comprise IC,Modules,Potentiometer,IC Socket,Relay,Connector.Our parts cover such applications as commercial,industrial, and automotives areas.

We are looking forward to setting up business relationship with you and hope to provide you with the best service and solution. Let us make a better world for our industry!



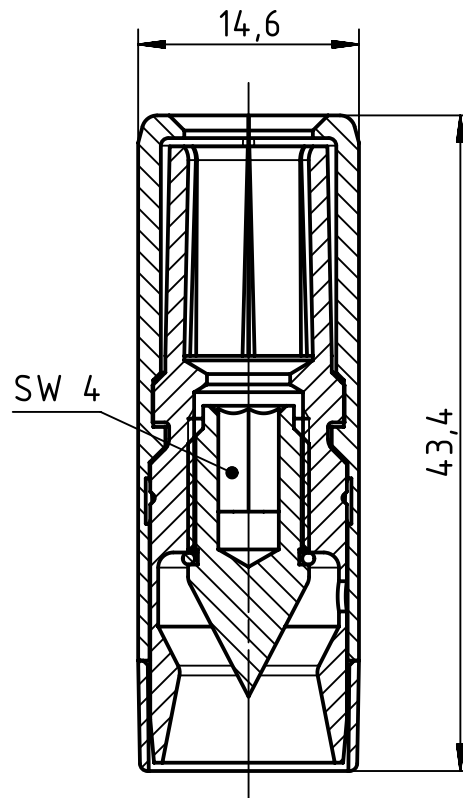
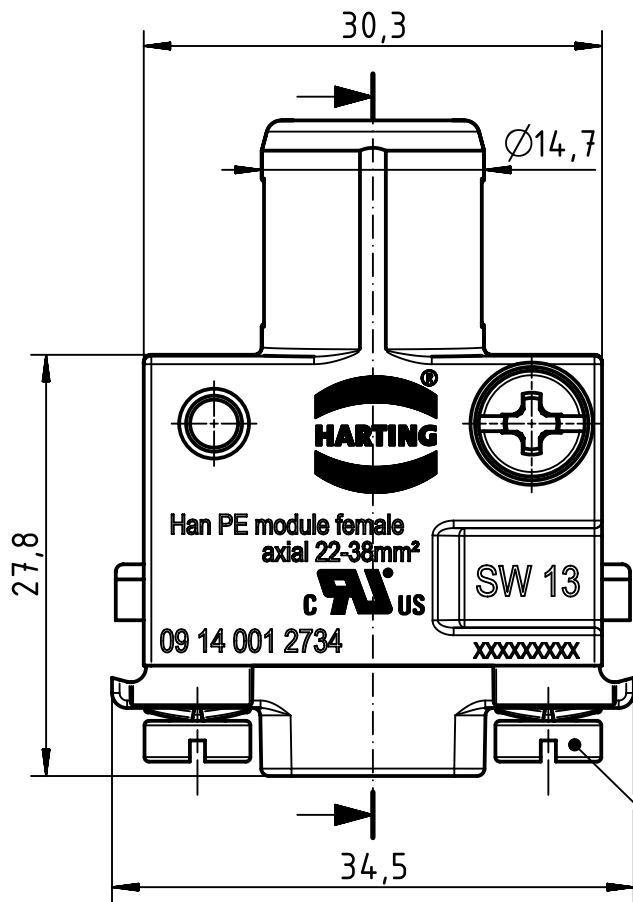
Contact us

Tel: +86-755-8981 8866 Fax: +86-755-8427 6832

Email & Skype: info@chipsmall.com Web: www.chipsmall.com

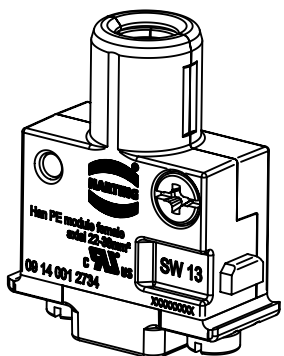
Address: A1208, Overseas Decoration Building, #122 Zhenhua RD., Futian, Shenzhen, China





2x
2Nm±0,2

stripping length: 13mm
 tightening torque: 38mm²
 8Nm
 for stranded wire 38mm², AWG 4-2



	All Dimensions in mm Original Size DIN A4		Scale 2:1		Free size tol.		Ref.		
							Sub.		
	All rights reserved		Created by DICK	Inspected by SCHLEGEL	Standardisation TIEMANNA	Date 2016-05-11	State Final Release		
	Department EL PD - DE		Title Han PE-module fem. axial 38qmm				Doc-Key / ECM-Nr. 100608514/UGD/002/C 500000104304		
HARTING Electric GmbH & Co. KG D-32339 Espelkamp			Type TB	Number 09 14 001 2734			Rev. C	Page 1/1	