



Chipsmall Limited consists of a professional team with an average of over 10 year of expertise in the distribution of electronic components. Based in Hongkong, we have already established firm and mutual-benefit business relationships with customers from,Europe,America and south Asia,supplying obsolete and hard-to-find components to meet their specific needs.

With the principle of “Quality Parts,Customers Priority,Honest Operation,and Considerate Service”,our business mainly focus on the distribution of electronic components. Line cards we deal with include Microchip,ALPS,ROHM,Xilinx,Pulse,ON,Everlight and Freescale. Main products comprise IC,Modules,Potentiometer,IC Socket,Relay,Connector.Our parts cover such applications as commercial,industrial, and automotives areas.

We are looking forward to setting up business relationship with you and hope to provide you with the best service and solution. Let us make a better world for our industry!



## Contact us

Tel: +86-755-8981 8866 Fax: +86-755-8427 6832

Email & Skype: info@chipsmall.com Web: www.chipsmall.com

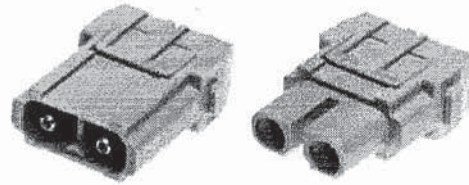
Address: A1208, Overseas Decoration Building, #122 Zhenhua RD., Futian, Shenzhen, China

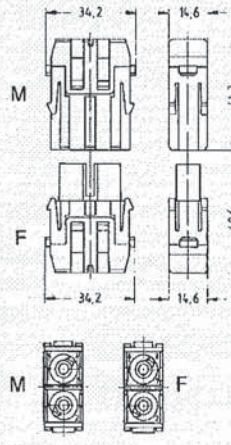




Number of contacts

2



Identification	Part number		Drawing	Dimensions in mm
	Male insert (M)	Female insert (F)		
Axial screw terminal 40 A			 <p>Contact arrangement view from termination side</p>	
2.5 ... 8 mm <sup>2</sup>	<b>09 14 002 2604</b>	<b>09 14 002 2704</b>		
6 ... 10 mm <sup>2</sup>	<b>09 14 002 2605</b>	<b>09 14 002 2705</b>		

Han  
Modular

Identification	Part number	Drawing	Dimensions in mm
Hex key SW 2 for axial setscrew			
with grip	<b>09 99 000 0313</b>		
Bit 1/4"	<b>09 99 000 0369</b>		





## Features

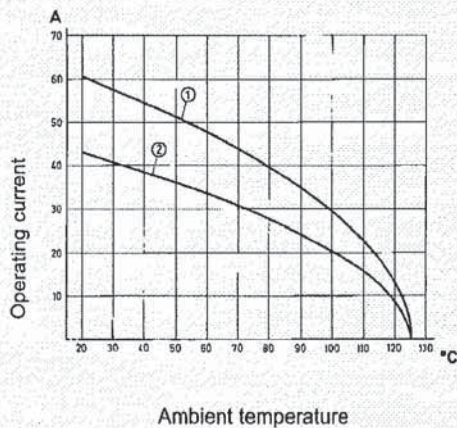
- Axial-screw termination
- No special tools required

Han  
Modular

### Current carrying capacity

The current carrying capacity of the connectors is limited by the thermal load capability of the contact element material including the connections and the insulating parts. The derating curve is therefore valid for currents which flow constantly (non-intermittent) through each contact element of the connector evenly, without exceeding the allowed maximum temperature.

Measuring and testing techniques according to DIN EN 60 512-5



① 24 B hoods/housings with 6 modules; wire gauge: 10 mm<sup>2</sup>

② 24 B hoods/housings with 6 modules; wire gauge: 6 mm<sup>2</sup>

## Technical characteristics

Specifications  
DIN EN 60 664-1  
DIN EN 61 984

Approvals

### Inserts

Number of contacts 2  
Electrical data acc. to EN 61 984 **40 A 1000 V 8 kV 3**  
Rated current 40 A  
Rated voltage 1000 V  
Rated impulse voltage 8 kV  
Pollution degree 3  
Pollution degree 2 also 40 A 1600 V 12 kV 2

Rated voltage acc. to UL 600 V  
Insulation resistance  $\geq 10^{10} \Omega$   
Material polycarbonate  
Limiting temperatures -40 °C ... +125 °C  
Flammability acc. to UL 94 V 0  
Mechanical working life - mating cycles  $\geq 500$

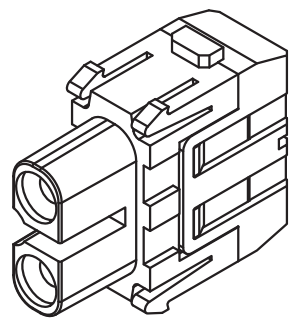
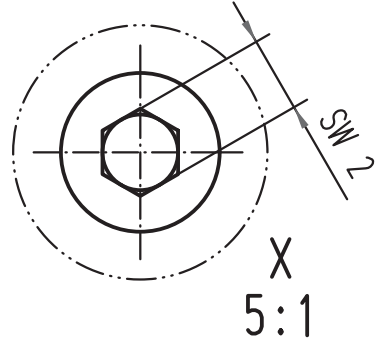
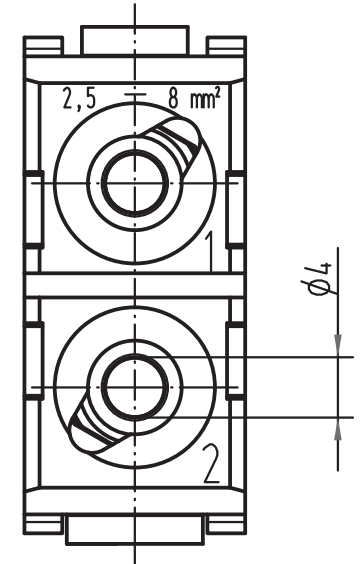
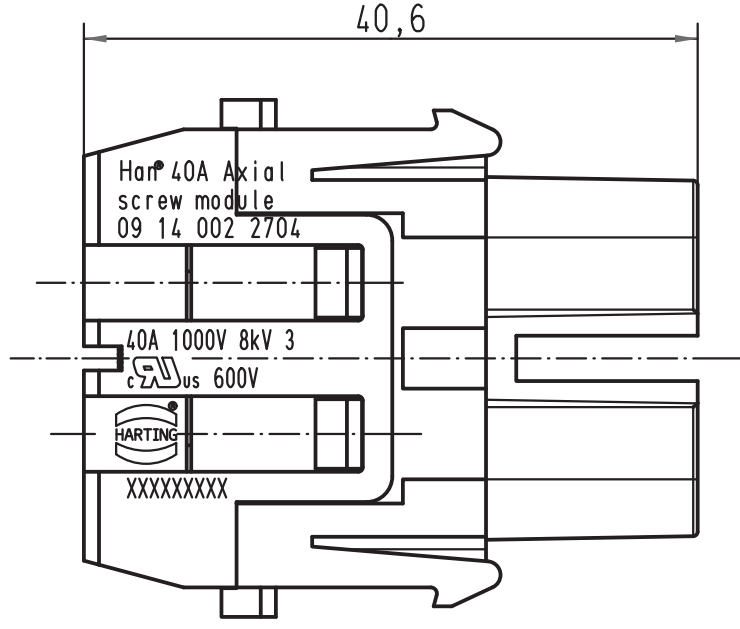
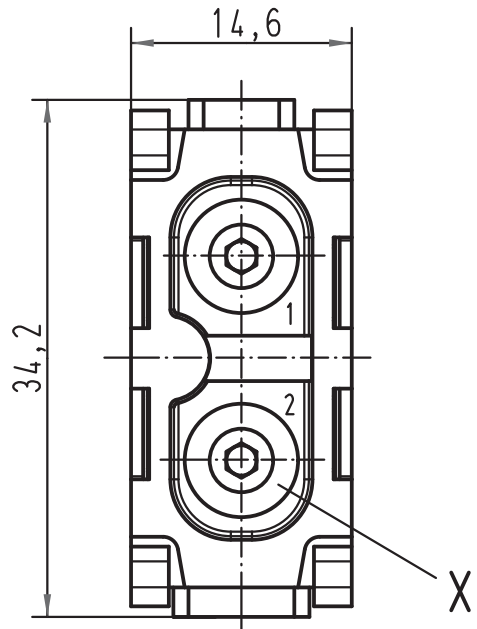
### Contacts

Material copper alloy  
Surface - hard-silver plated 3  $\mu\text{m}$  Ag  
Contact resistance 0.5 m $\Omega$   
Screw terminal  
- Wire gauge 1) 2.5 ... 10 mm<sup>2</sup>  
- AWG 14 ... 8  
- Hexagonal driver SW 2  
- Stripping length

mm <sup>2</sup>	2.5	4	6	10
mm	5 <sup>+1</sup>	5 <sup>+1</sup>	8 <sup>+1</sup>	11 <sup>+1</sup>

- Tightening torque

mm <sup>2</sup>	2.5	4	6	10
Nm	1.5	1.5	2	2



für Litze 2,5-8mm<sup>2</sup>, AWG14-8, feindrähtig  
 for stranded wire 2,5-8mm<sup>2</sup>, AWG14-8, fine wire

All Dimensions in mm Original Size DIN A 4		Techn. Character.			Nicht tolerierte Maße! Free size tolerances	
			Dat. 08.12.08	Name Rull	Maßstab/Scale 2:1	Han 40A Axial screw modul mit Rasthaken/with snap arm Buchseneinsatz/female insert
			Insp.	Be		
			Stand.			
A			HARTING Electric GmbH & Co. KG D-32339 Espelkamp			TB 09 14 002 2704
Mod.	Dat.	Name				