



Chipsmall Limited consists of a professional team with an average of over 10 year of expertise in the distribution of electronic components. Based in Hongkong, we have already established firm and mutual-benefit business relationships with customers from,Europe,America and south Asia,supplying obsolete and hard-to-find components to meet their specific needs.

With the principle of “Quality Parts,Customers Priority,Honest Operation,and Considerate Service”,our business mainly focus on the distribution of electronic components. Line cards we deal with include Microchip,ALPS,ROHM,Xilinx,Pulse,ON,Everlight and Freescale. Main products comprise IC,Modules,Potentiometer,IC Socket,Relay,Connector.Our parts cover such applications as commercial,industrial, and automotives areas.

We are looking forward to setting up business relationship with you and hope to provide you with the best service and solution. Let us make a better world for our industry!



## Contact us

Tel: +86-755-8981 8866 Fax: +86-755-8427 6832

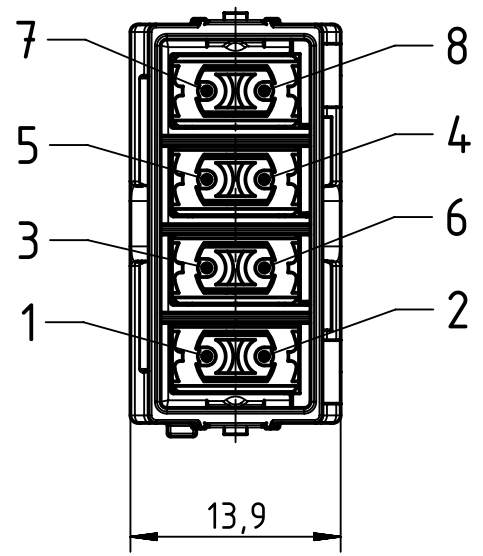
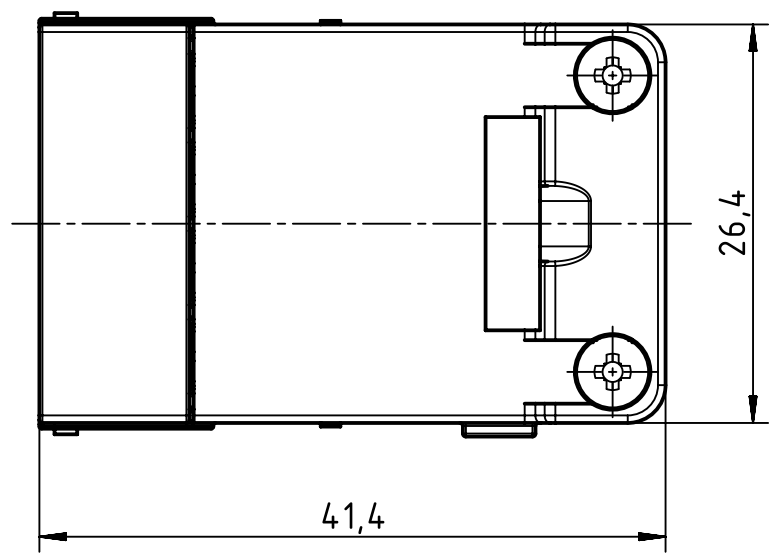
Email & Skype: info@chipsmall.com Web: www.chipsmall.com

Address: A1208, Overseas Decoration Building, #122 Zhenhua RD., Futian, Shenzhen, China



1                      2                      3                      4                      5                      6

A



wiring acc. EIA/TIA 568A  
view from termination side

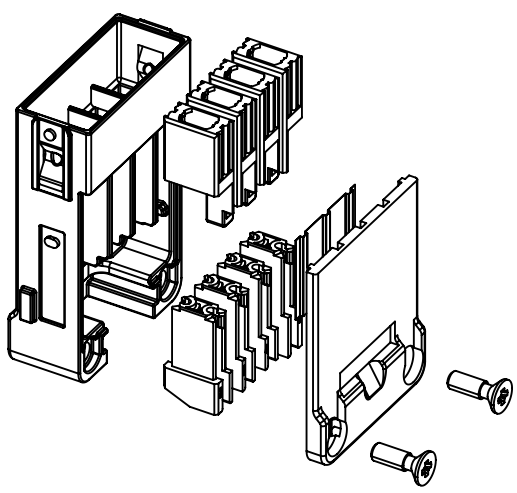
brown	8•	•7	white/brown
blue	6•	•5	white/blue
orange	4•	•3	white/orange
green	2•	•1	white/green

wiring acc. EIA/TIA 568B  
view from termination side

brown	8•	•7	white/brown
blue	4•	•5	white/blue
green	6•	•3	white/green
orange	2•	•1	white/orange

B

C



D

Male contact		
Part number	Wire gauge	
	mm <sup>2</sup>	AWG
09930005576	0,13-0,33mm <sup>2</sup>	22-26

	All Dimensions in mm Original Size DIN A4		Scale 2:1	Free size tol.		Ref.
	All rights reserved Department EL PD		Created by HELLMANN	Inspected by BERGHORN	Standardisation RUETERA	Date 2018-08-21
HARTING Electric GmbH & Co. KG D-32339 Espelkamp			Title Han Gigabit insert M, Cat. 7			Doc-Key / ECM-Nr. 100705922/UGD/000/E 500000138963
Type TB	Number 09 14 008 3031		Rev. E	Page 1/1		