



Chipsmall Limited consists of a professional team with an average of over 10 year of expertise in the distribution of electronic components. Based in Hongkong, we have already established firm and mutual-benefit business relationships with customers from,Europe,America and south Asia,supplying obsolete and hard-to-find components to meet their specific needs.

With the principle of “Quality Parts,Customers Priority,Honest Operation,and Considerate Service”,our business mainly focus on the distribution of electronic components. Line cards we deal with include Microchip,ALPS,ROHM,Xilinx,Pulse,ON,Everlight and Freescale. Main products comprise IC,Modules,Potentiometer,IC Socket,Relay,Connector.Our parts cover such applications as commercial,industrial, and automotives areas.

We are looking forward to setting up business relationship with you and hope to provide you with the best service and solution. Let us make a better world for our industry!



Contact us

Tel: +86-755-8981 8866 Fax: +86-755-8427 6832

Email & Skype: info@chipsmall.com Web: www.chipsmall.com

Address: A1208, Overseas Decoration Building, #122 Zhenhua RD., Futian, Shenzhen, China

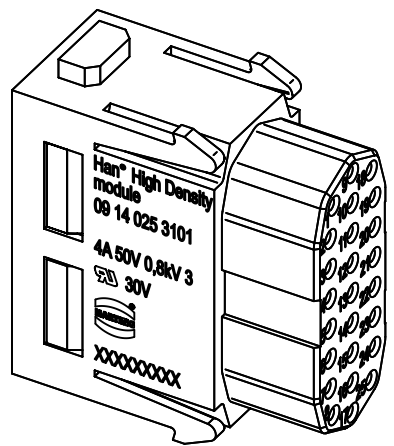
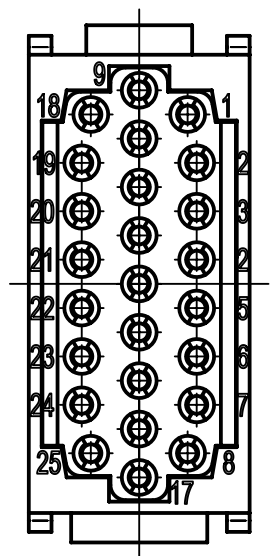
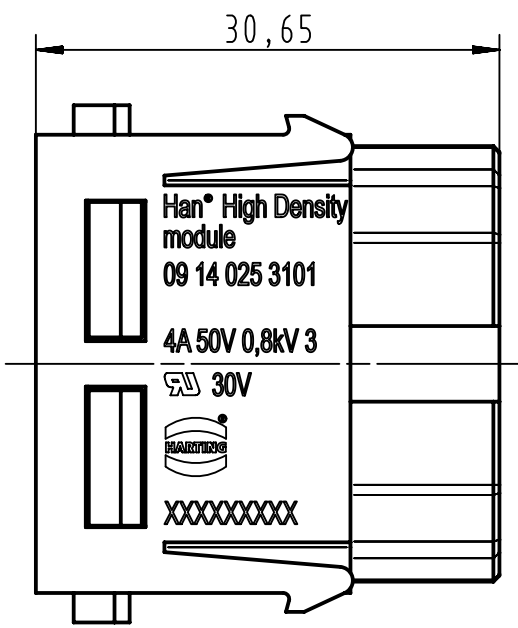
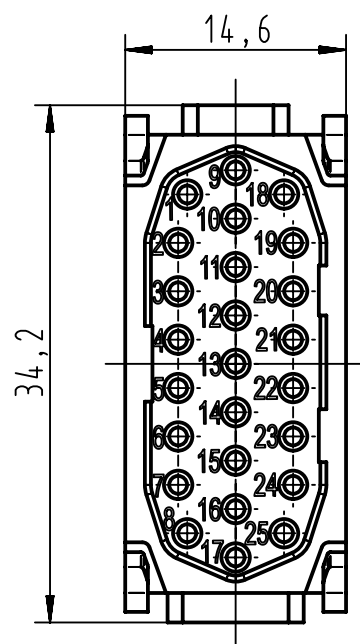


A

B

C

D



	All Dimensions in mm Original Size DIN A4	Scale			Free size tol.		Ref.	
		2:1				Sub. TB 09 14 025 3101 v. 15.10.08		
	All rights reserved Department EL PD - DE	Created by	Inspected by	Standardisation	Date	State		
		HOLLERT	BERGHORN	SCHMIDTM	2013-03-19	Final Release		
HARTING Electric GmbH & Co. KG D-32339 Espelkamp		Title				Doc-Key / ECM-Nr.		
		Han High Density module, crimp female				100123017/UGD/009/A 500000060095		
		Type	Number		Rev.	Page		
		TB	09 14 025 3101		A	1/1		