



Chipsmall Limited consists of a professional team with an average of over 10 year of expertise in the distribution of electronic components. Based in Hongkong, we have already established firm and mutual-benefit business relationships with customers from,Europe,America and south Asia,supplying obsolete and hard-to-find components to meet their specific needs.

With the principle of “Quality Parts,Customers Priority,Honest Operation,and Considerate Service”,our business mainly focus on the distribution of electronic components. Line cards we deal with include Microchip,ALPS,ROHM,Xilinx,Pulse,ON,Everlight and Freescale. Main products comprise IC,Modules,Potentiometer,IC Socket,Relay,Connector.Our parts cover such applications as commercial,industrial, and automotives areas.

We are looking forward to setting up business relationship with you and hope to provide you with the best service and solution. Let us make a better world for our industry!



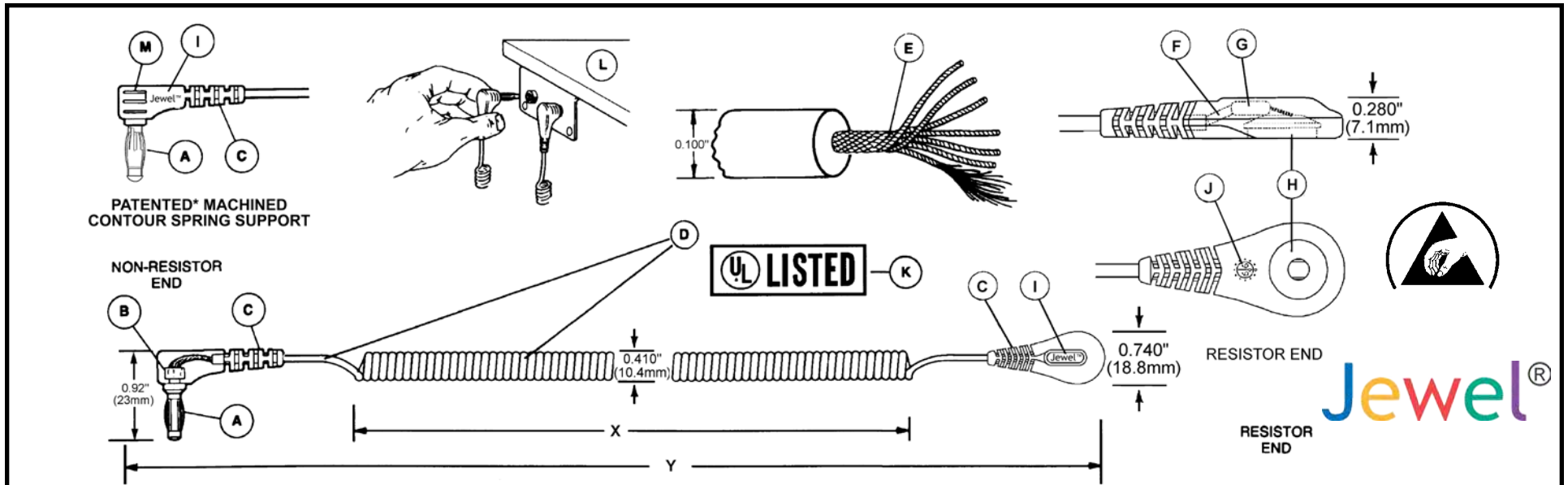
Contact us

Tel: +86-755-8981 8866 Fax: +86-755-8427 6832

Email & Skype: info@chipsmall.com Web: www.chipsmall.com

Address: A1208, Overseas Decoration Building, #122 Zhenhua RD., Futian, Shenzhen, China





- A. Right angle barrel type banana plug with patented* machined contour spring support. Fits industry standard banana jack $\geq .157"$. Will maintain greater than 1 pound disengagement force over the life of the cord.
- B. Crimped termination to stranded conductor.
- C. Thermoplastic elastomer strain relief molded on. Bending Life Test average $>50,000,000$ cycles per ANSI/ESD S20.20 (Tested per ESD S1.1). Break load average 30 pounds.
- D. Polyurethane wire insulation in Jewel® Sapphire color. Rapid retraction coil cord compresses length with resulting benefit of less tangling and dragging along work surface. Break load average 30 pounds.
- E. Tinsel conductor. Consisting of polyester wrapped with copper. High flex life. Equivalent is 29 gauge (cir mil and/or Ohms).
- F. Autosplice brass crimp secures conductors to resistor lead and provides stress relief for resistor.
- G. One megohm $\pm 5\%$, 1/4 watt, series resistor limits current for operator safety.
- H. Spring loaded 4mm medical snap socket. Spring separation .125" - .165". Provides 1-5 pound breakaway from .160" snap stud (EOS/ESD-S1).

- I. Jewel® logo molded in compliance with EOS/ESD-S1.
- J. Date coded with date of manufacture.
- K. Underwriters Laboratory Listing 90P1C when used with Desco 09025, 09026, 09027, 09028, 09041, 09043, 09044, 09045, or 14840 wristbands.
- L. Right angle design has lower profile, making it less likely to be snagged and accidentally pulled out. Swivels on banana barrel for less strain - extending the life of the cord.
- M. Ribbed molding assists grasping of right angle banana plug. The plug will not be removed by tugging on cord.

Jewel® Lifetime Limited Warranty
 Desco expressly warrants that for a period of 1 year from the date of purchase, Desco Jewel® Wrist Straps and Coil Cords will be free of defects in material (parts) and workmanship (labor). In addition, normal use will not cause Coil Cord resistor strain relief connection or Wrist Band 4 mm snap stud to wear sufficiently to open path-to-ground circuit. Within the lifetime warranty period, a credit for purchase of replacement Desco Jewel® products, or, at Desco's option, the Desco Jewel® product will be repaired or replaced free of charge. If product credit is issued, the amount will be calculated based upon the original invoice purchase price.

*U.S. Patent 5951337

See drawing [09105](#) for wristband specifications.



Made in America

ITEM	Retracted Length		Extended Length	
	X	Y	Nominal	Max
09150	10"	27"	6'	8.5'
09151	16"	33"	10'	13'

GROUND CORD, WRIST STRAP, RAPID RETRACTION, COILED, RIGHT ANGLE

DESCO

DESCO WEST: 3651 WALNUT AVE., CHINO, CA 91710 WEB SITE: Desco.com
 PHONE (909) 627-8178 FAX (909) 627-7449
 DESC0 EAST: ONE COLGATE WAY, CANTON, MA 02021-1407
 PHONE (781) 821-8370 FAX (781) 575-0172

DRAWING NUMBER
09150

DATE:
August
2009