



Chipsmall Limited consists of a professional team with an average of over 10 year of expertise in the distribution of electronic components. Based in Hongkong, we have already established firm and mutual-benefit business relationships with customers from,Europe,America and south Asia,supplying obsolete and hard-to-find components to meet their specific needs.

With the principle of “Quality Parts,Customers Priority,Honest Operation,and Considerate Service”,our business mainly focus on the distribution of electronic components. Line cards we deal with include Microchip,ALPS,ROHM,Xilinx,Pulse,ON,Everlight and Freescale. Main products comprise IC,Modules,Potentiometer,IC Socket,Relay,Connector.Our parts cover such applications as commercial,industrial, and automotives areas.

We are looking forward to setting up business relationship with you and hope to provide you with the best service and solution. Let us make a better world for our industry!



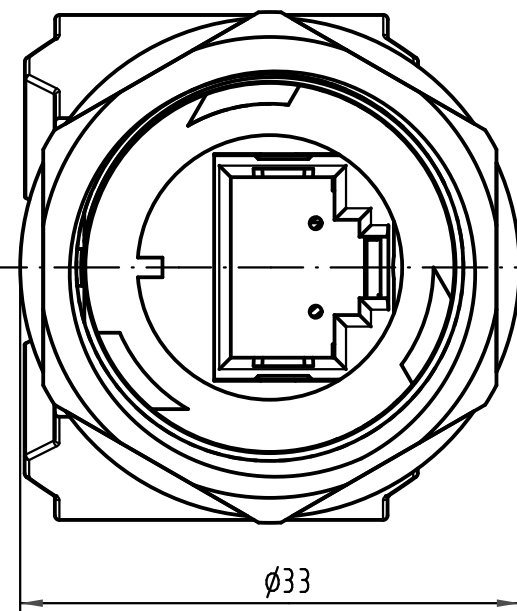
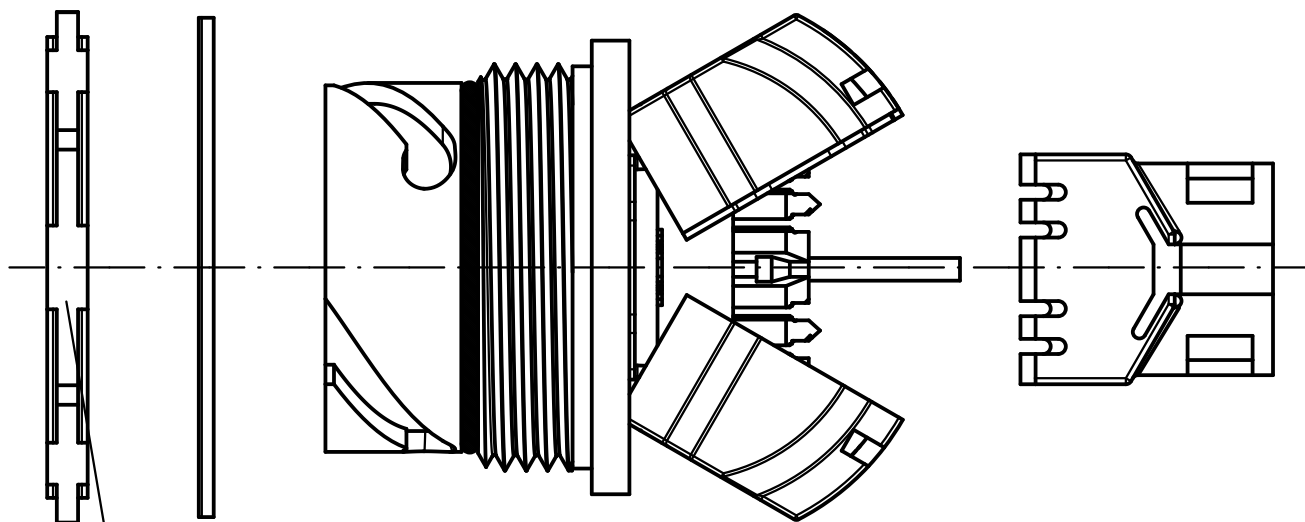
## Contact us

Tel: +86-755-8981 8866 Fax: +86-755-8427 6832

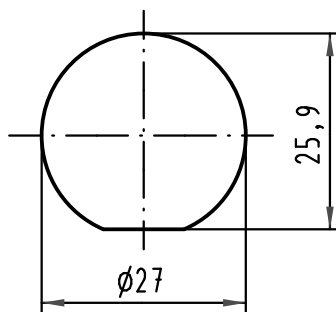
Email & Skype: info@chipsmall.com Web: www.chipsmall.com

Address: A1208, Overseas Decoration Building, #122 Zhenhua RD., Futian, Shenzhen, China

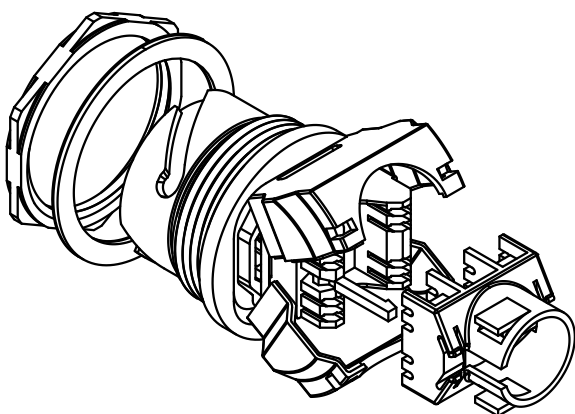






(1:1) Montageausschnitt  
panel cut out



Maximale Wandstärke 2,3mm  
max. wall thickness 2,3mm



 All Dimensions in mm Original Size DIN A 4			Techn. Character.			Nicht tolerierte Maßel Free size tolerances	
				Dat.	Name	Maßstab/Scale <b>2:1</b>	<b>Han-Max-F</b> Wanddurchführung geschirmt panel feed through shielded
			Detail.	02.12.04	Ho		
			Insp.		SP		
36035	28.04.10	Hage.	Stand.				
411513	08.03.05	Ho	HARTING Electronics GmbH & Co. KG			<b>TB 09 15 300 0302</b>	Blatt/ page
410780			D-32339 ESPELKAMP				
Mod.	Dat.	Name					
						Sub.	