



Chipsmall Limited consists of a professional team with an average of over 10 year of expertise in the distribution of electronic components. Based in Hongkong, we have already established firm and mutual-benefit business relationships with customers from,Europe,America and south Asia,supplying obsolete and hard-to-find components to meet their specific needs.

With the principle of "Quality Parts,Customers Priority,Honest Operation,and Considerate Service",our business mainly focus on the distribution of electronic components. Line cards we deal with include Microchip,ALPS,ROHM,Xilinx,Pulse,ON,Everlight and Freescale. Main products comprise IC,Modules,Potentiometer,IC Socket,Relay,Connector.Our parts cover such applications as commercial,industrial, and automotives areas.

We are looking forward to setting up business relationship with you and hope to provide you with the best service and solution. Let us make a better world for our industry!



## Contact us

Tel: +86-755-8981 8866 Fax: +86-755-8427 6832

Email & Skype: info@chipsmall.com Web: www.chipsmall.com

Address: A1208, Overseas Decoration Building, #122 Zhenhua RD., Futian, Shenzhen, China



1 2 3 4 5 6

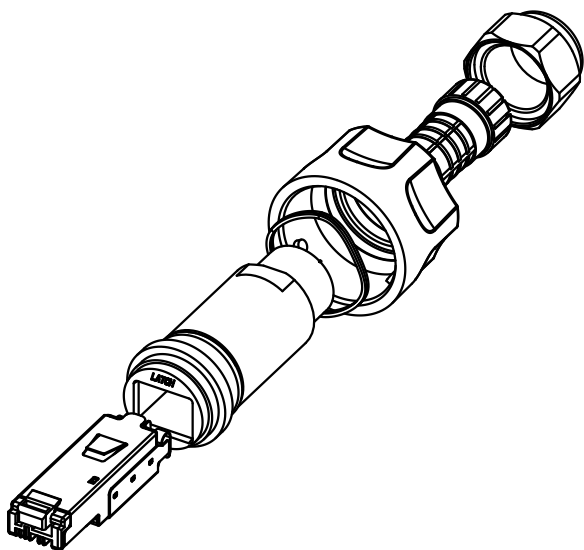
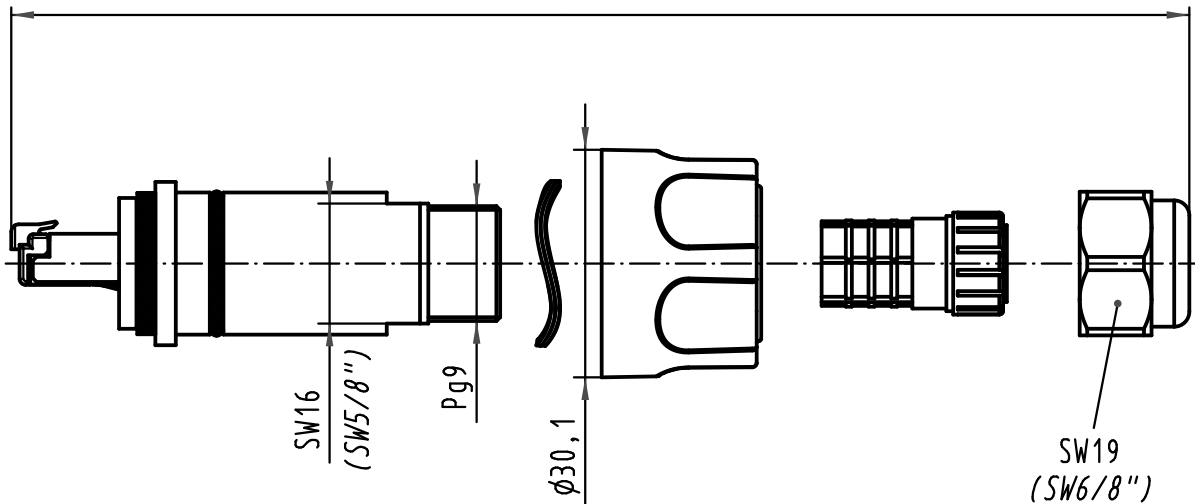
A

B



C

D

Länge im verschraubtem Zustand montiert mit RJ-Industrial ca. 71mm  
*complete length when assembled with RJ-Industrial ca. 71mm*



RJ Industrial wird als Beipack geliefert  
*RJ Industrial will be delivered as enclosure*

 All Dimensions in mm Original Size DIN A 4			Techn. Character.				Nicht tolerierte Maßel Free size tolerances	
36052	10.06.10	hsv		Dat.	Name	Maßstab/Scale <b>1:1</b>	<b>Han-Max-M</b> geschirmt für RJ Industrial shielded for RJ Industrial	
36035	29.04.10	Hage.	Detail.	02.12.04	Ho			
412329	19.07.06	Ho	Insp.		SP			
411513	08.03.05	Ho	Stand.					
411441	28.01.05	Ho						
410780			HARTING Electronics GmbH & Co. KG				<b>TB 09 15 300 0412</b>	
Mod.	Dat.	Name	D-32339 ESPELKAMP					Sub.