



Chipsmall Limited consists of a professional team with an average of over 10 year of expertise in the distribution of electronic components. Based in Hongkong, we have already established firm and mutual-benefit business relationships with customers from,Europe,America and south Asia,supplying obsolete and hard-to-find components to meet their specific needs.

With the principle of "Quality Parts,Customers Priority,Honest Operation,and Considerate Service",our business mainly focus on the distribution of electronic components. Line cards we deal with include Microchip,ALPS,ROHM,Xilinx,Pulse,ON,Everlight and Freescale. Main products comprise IC,Modules,Potentiometer,IC Socket,Relay,Connector.Our parts cover such applications as commercial,industrial, and automotives areas.

We are looking forward to setting up business relationship with you and hope to provide you with the best service and solution. Let us make a better world for our industry!



## Contact us

Tel: +86-755-8981 8866 Fax: +86-755-8427 6832

Email & Skype: info@chipsmall.com Web: www.chipsmall.com

Address: A1208, Overseas Decoration Building, #122 Zhenhua RD., Futian, Shenzhen, China

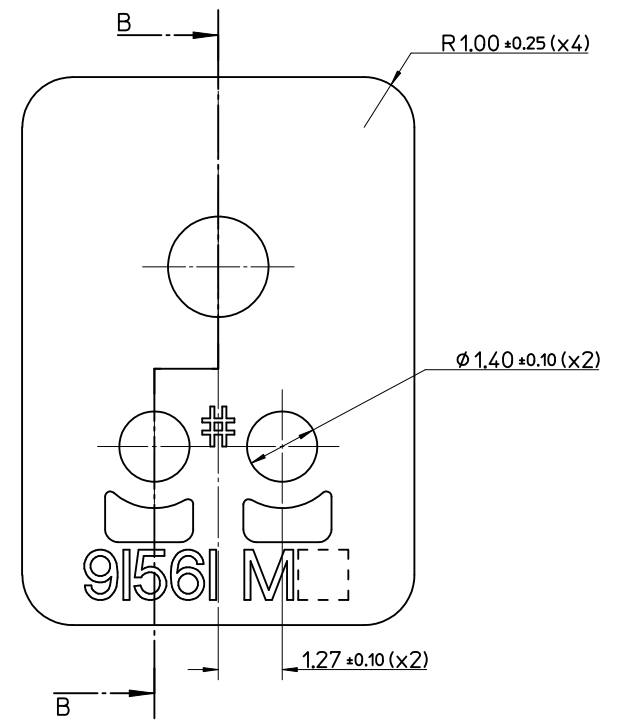
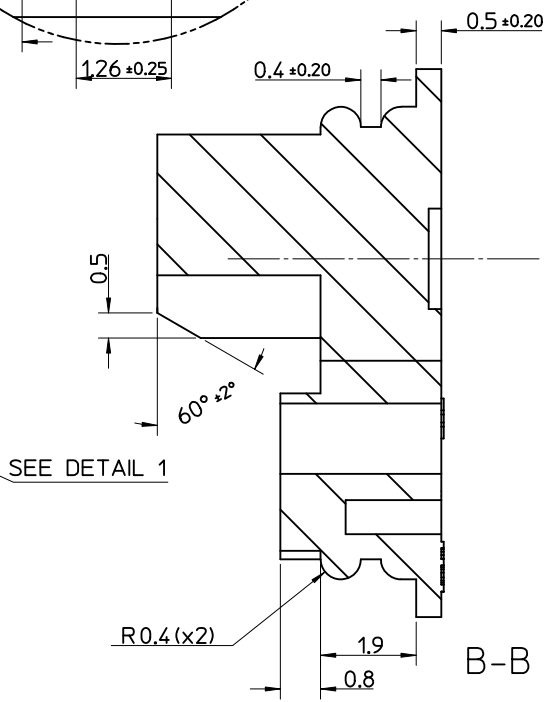
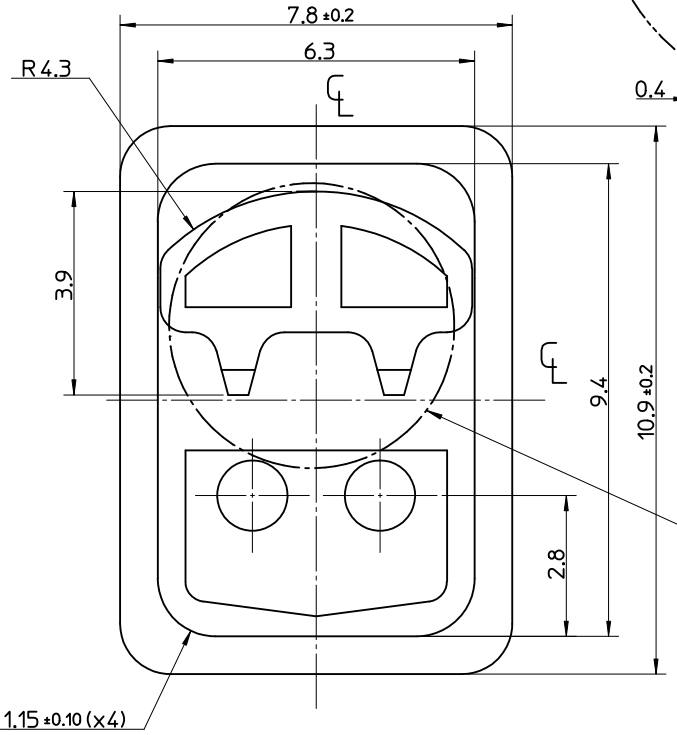
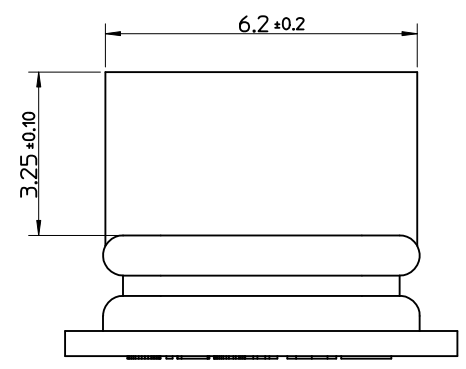
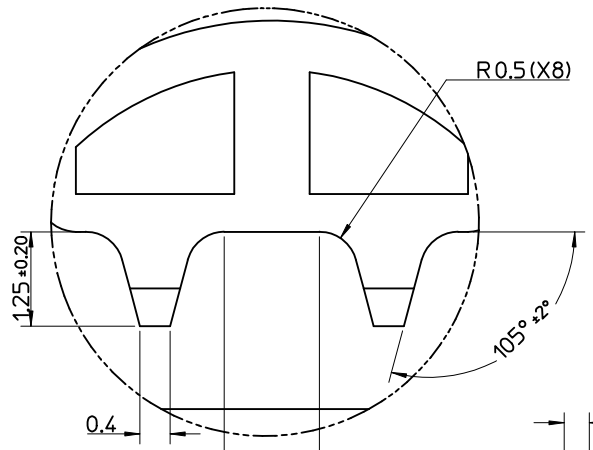


10 9 8 7 6 5 4 3 2 1



SCALE 1:1

DETAIL 1  
SCALE: 15:1



- NOTES:
1. MATERIAL: TPE 80A SHORE HARDNESS. COLOUR: BLACK.
  2. FINISH: N/A.
  3. FOR PRODUCT SPECIFICATION SEE PS-91560-003
  4. PACKAGING: SEE PACKAGING SPECIFICATION PK-91561-003
  5. THIS PART CONFORMS TO CLASS B REQUIREMENTS OF COSMETIC SPECIFICATION PS-45499-002.

REVISED NOTES	EC NO: UCP2010-1407	DRWN:MKIPPER 2009/12/14	CHKD:JBELL 2009/12/16	APPR:FSMITH 2009/12/17	
	DESCRIPTION				
	REV	DESCRIPTION			
	D1				

QUALITY SYMBOLS	▼ - 0
	∇ - 0
GENERAL TOLERANCES (UNLESS SPECIFIED)	
	mm
	INCH
4 PLACES	± ---
3 PLACES	± ---
2 PLACES	± 0.05
1 PLACE	± 0.1
ANGULAR ± 2 °	
DRAFT WHERE APPLICABLE	
MUST REMAIN WITHIN DIMENSIONS	

SCALE	10:1
DESIGN UNITS	METRIC
DIMENSION STYLE	
MM ONLY	
DRAWN BY	DATE
LKIERNAN	13/07/01
CHECKED BY	DATE
BMAGUIRE	3/10/01
APPROVED BY	DATE
MWILHITE	3/10/01

THIRD ANGLE PROJECTION	REVISE ON CAD ONLY
TITLE	
2.54MM KK CRP SEAL	
MOLEX INCORPORATED	
MATERIAL NO.	DOCUMENT NO.
91561-0001	SD-91561-001
SHEET NO.	1 OF 1
THIS DRAWING CONTAINS INFORMATION THAT IS PROPRIETARY TO MOLEX INCORPORATED AND SHOULD NOT BE USED WITHOUT WRITTEN PERMISSION	

9 8 7 6 5 4 3 2 1