



Chipsmall Limited consists of a professional team with an average of over 10 year of expertise in the distribution of electronic components. Based in Hongkong, we have already established firm and mutual-benefit business relationships with customers from,Europe,America and south Asia,supplying obsolete and hard-to-find components to meet their specific needs.

With the principle of “Quality Parts,Customers Priority,Honest Operation,and Considerate Service”,our business mainly focus on the distribution of electronic components. Line cards we deal with include Microchip,ALPS,ROHM,Xilinx,Pulse,ON,Everlight and Freescale. Main products comprise IC,Modules,Potentiometer,IC Socket,Relay,Connector.Our parts cover such applications as commercial,industrial, and automotives areas.

We are looking forward to setting up business relationship with you and hope to provide you with the best service and solution. Let us make a better world for our industry!



Contact us

Tel: +86-755-8981 8866 Fax: +86-755-8427 6832

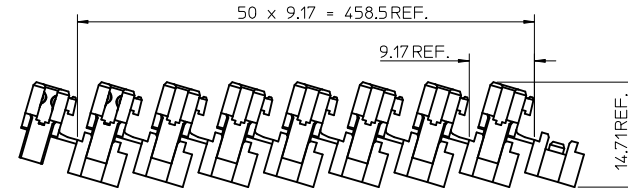
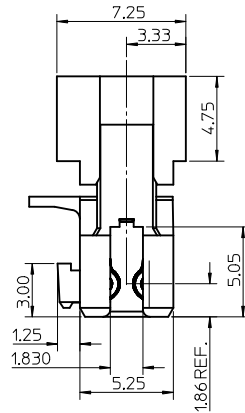
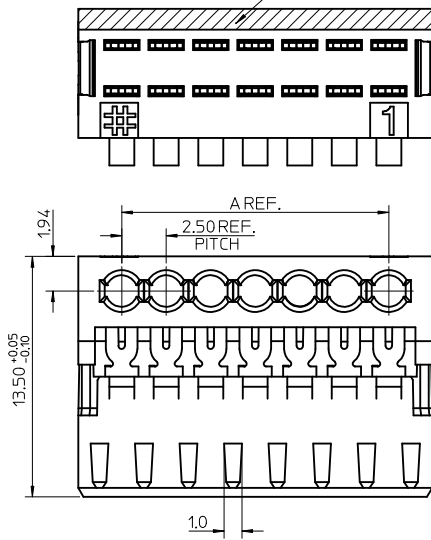
Email & Skype: info@chipsmall.com Web: www.chipsmall.com

Address: A1208, Overseas Decoration Building, #122 Zhenhua RD., Futian, Shenzhen, China



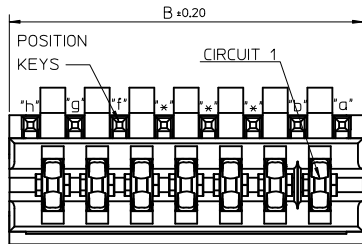
EM-91716-010

SURFACE FOR COLOUR STRIPE (see note 3)



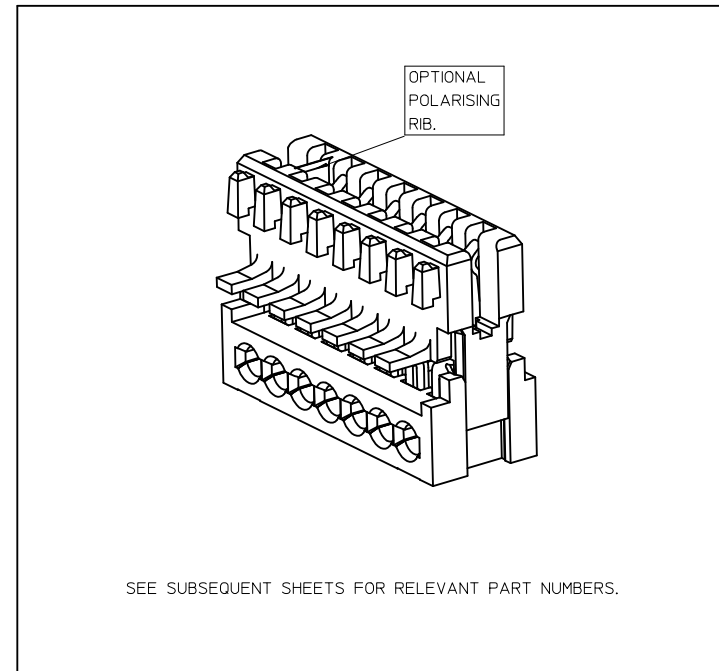
SHIPPING ARRANGEMENT

CCT	*A*	*B*
3	5.0	9.875
4	7.5	12.375
5	10.0	14.875
6	12.5	17.375
7	15.0	19.875
8	17.5	22.375
9	20.0	24.875
10	22.5	27.375
11	25.0	29.875
12	27.5	32.375
13	30.0	34.875
14	32.5	37.375
15	35.0	39.875
16	37.5	42.375
17	40.0	44.875
18	42.5	47.375
19	45.0	49.875
20	47.5	52.375

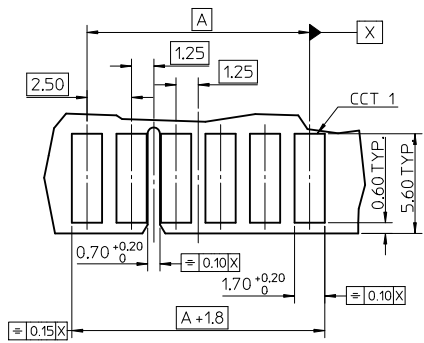


NOTES:

- REFER TO PRODUCT SPECIFICATION: PS-99020-0040.
- MATERIAL: HOUSING - NYLON PA6
UL94-V0, COLOUR: NATURAL (WHITE).
TERMINAL: PHOSPHOR BRONZE 0.30 REF. THICK - PLATING HOT TIN DIP.
- COLOUR STRIPE IS OPTIONAL. AVAILABLE IN THE FOLLOWING COLOURS: RED, GREEN, BLUE, PURPLE
(BLACK SIGNIFIES CUSTOMER SPECIFIC CONFIGURATION).
- REFER TO PACKAGING SPEC (PK-90871-001)
- REFER TO APPLICATION SPEC (AS-99033-0008)



SEE SUBSEQUENT SHEETS FOR RELEVANT PART NUMBERS.



- PCB LAYOUT FOR 6CCT CONNECTOR (WITH OPTIONAL POSITIONAL RIB SLOT BETWEEN CCT 4 & 5)
- RECOMMENDED PCB THICKNESS 1.5±0.14

ADDED PART NUMBERS ELC NO. IPG2013-1062 DRAWN: M03ULLIVAN012013/01/18 CHKD: APPR: SGR/FFIN 2013/02/14 AV	QUALITY SYMBOLS ▽=0 ▽=0	GENERAL TOLERANCES (UNLESS SPECIFIED) <table border="1"> <thead> <tr> <th></th> <th>mm</th> <th>INCH</th> </tr> </thead> <tbody> <tr> <td>4 PLACES</td> <td>± ---</td> <td>± ---</td> </tr> <tr> <td>3 PLACES</td> <td>± 0.05</td> <td>± ---</td> </tr> <tr> <td>2 PLACES</td> <td>± 0.10</td> <td>± ---</td> </tr> <tr> <td>1 PLACE</td> <td>± 0.2</td> <td>± ---</td> </tr> <tr> <td>0 PLACE</td> <td>±</td> <td>±</td> </tr> </tbody> </table>		mm	INCH	4 PLACES	± ---	± ---	3 PLACES	± 0.05	± ---	2 PLACES	± 0.10	± ---	1 PLACE	± 0.2	± ---	0 PLACE	±	±	DIMENSION STYLE MM ONLY	SCALE 5:1	DESIGN UNITS METRIC	THIRD ANGLE PROJECTION
		mm	INCH																					
	4 PLACES	± ---	± ---																					
	3 PLACES	± 0.05	± ---																					
2 PLACES	± 0.10	± ---																						
1 PLACE	± 0.2	± ---																						
0 PLACE	±	±																						
DRAWN BY NMCNAMAR	DATE 2004/02/12	CHECKED BY JDENNEHY	DATE 2004/02/13	TITLE APPLI-MATE 2.5 FEMALE (MATL: NYLON PA6)																				
APPROVED BY BMAGUIRE		DATE 2004/02/16		MATERIAL NO. SEE SHEETS 2-6																				
ANGULAR ±1/2° DRAFT WHERE APPLICABLE MUST REMAIN WITHIN DIMENSIONS				DOCUMENT NO. SD-91716-001	SHEET NO. 1 OF 6																			

THIS DRAWING CONTAINS INFORMATION THAT IS PROPRIETARY TO MOLEX INCORPORATED AND SHOULD NOT BE USED WITHOUT WRITTEN PERMISSION

3 CIRCUIT

MOLEX PART NO.	MOLEX HOUSING NO.	TERMINAL VOID POSITION	REMOVED POSITION KEYS	CONFIGURATION (SEE NOTES)	POLARIZING RIB	COLOUR STRIPE
91716-0001	91715-0003	NONE	NONE		NONE	NONE
91716-0002	91715-0003	NONE	a d		NONE	RED
91716-0013	91715-0003	NONE	a		NONE	NONE
91716-0014	91715-0003	NONE	b		NONE	NONE
91716-0015	91715-0003	NONE	c		NONE	NONE
91716-0016	91715-0003	NONE	d		NONE	NONE
91716-0017	91715-0003	NONE	b d		NONE	NONE
91716-0018	91715-0003	NONE	a c		NONE	NONE
91716-0019	91715-0003	NONE	a d		NONE	NONE
91716-0020	91715-0003	NONE	a b		NONE	NONE
91716-0021	91715-0003	NONE	b c		NONE	NONE
91716-0022	91715-0003	NONE	c d		NONE	NONE
91716-0023	91715-0003	CKT 2	b d		NONE	NONE
91716-0024	91715-0003	CKT 3	c		NONE	BLUE
91716-0034	91715-0103	NONE	NONE		BETWEEN CKT 1&2	NONE
91716-0041	91715-0203	NONE	NONE		BETWEEN CKT 2&3	NONE
91716-0042	91715-0003	CKT 1	NONE		NONE	NONE
91716-0043	91715-0003	CKT 1	c		NONE	NONE
91716-0044	91715-0003	NONE	b d		NONE	BLUE
91716-0045	91715-0003	NONE	b		NONE	BLUE
91716-0046	91715-0003	CKT 1	d		NONE	NONE
91716-0047	91715-0003	NONE	b d		NONE	RED
91716-0048	91715-0003	NONE	b c d		NONE	NONE
91716-0049	91715-0003	NONE	c		NONE	PURPLE
91716-0050	91715-9903	NONE	NONE		NONE	NONE

CUSTOM END WALL OPTION

4 CIRCUIT

MOLEX PART NO.	MOLEX HOUSING NO.	TERMINAL VOID POSITION	REMOVED POSITION KEYS	CONFIGURATION (SEE NOTES)	POLARIZING RIB	COLOUR STRIPE
91716-0501	91715-0004	NONE	NONE		NONE	NONE
91716-0502	91715-0004	NONE	d		NONE	NONE
91716-0503	91715-0004	NONE	a d		NONE	NONE
91716-0504	91715-0004	NONE	c e		NONE	NONE
91716-0505	91715-0004	NONE	a		NONE	NONE
91716-0506	91715-0204	NONE	NONE		BETWEEN CKT 2&3	NONE
91716-0538	91715-0004	NONE	b		NONE	NONE
91716-0539	91715-0004	NONE	b c		NONE	NONE
91716-0539	91715-0004	NONE	a b		NONE	NONE
91716-0540	91715-0004	NONE	d e		NONE	NONE
91716-0541	91715-0004	NONE	ALL		NONE	NONE
91716-0542	91715-0004	NONE	a b e		NONE	NONE
91716-0507	91715-0004	CKT 1	NONE		NONE	NONE
91716-0543	91715-0304	NONE	NONE		BETWEEN CKT 3&4	RED
91716-0544	91715-0204	NONE	NONE		BETWEEN CKT 2&3	BLUE
91716-0545	91715-0004	NONE	d		NONE	BLUE
91716-0546	91715-0004	NONE	b		NONE	RED
91716-0547	91715-0004	NONE	b c		NONE	GREEN
91716-0548	91715-0004	NONE	c d		NONE	RED
91716-0549	91715-0004	NONE	a c e		NONE	NONE

NOTES

- + DENOTES TERMINAL VOIDED POSITION
 - ⊕ DENOTES TERMINAL LOADED POSITION
 - | DENOTES POLARIZING RIB POSITION
- HOUSING NUMBER FOR MOLEX REFERENCE ONLY

4 CIRCUIT (cont'd)

MOLEX PART NO.	MOLEX HOUSING NO.	TERMINAL VOID POSITION	REMOVED POSITION KEYS	CONFIGURATION (SEE NOTES)	POLARIZING RIB	COLOUR STRIPE
91716-0550	91715-0104	NONE	NONE		BETWEEN CKT 1&2	NONE
91716-0551	91715-0004	NONE	NONE		NONE	GREEN
91716-0552	91715-0004	NONE	b c d		NONE	NONE
91716-0553	91715-0004	NONE	b d		NONE	NONE
91716-0554	91715-0004	NONE	a b d		NONE	NONE
91716-0555	91715-0004	NONE	a c e		NONE	BLACK

SEE SHEET 1 EC NO: IPC2003-1062 DRAWING(S) I/VAN012013/0118 CHKD: APPR: STGR/IFFE IN 2013/02/14 AV	QUALITY SYMBOLS 	GENERAL TOLERANCES (UNLESS SPECIFIED) mm INCH 4 PLACES ± --- ± --- 3 PLACES ± 0.05 ± --- 2 PLACES ± 0.10 ± --- 1 PLACE ± 0.2 ± --- 0 PLACE ± ±	DIMENSION STYLE MM ONLY	SCALE 1:1	DESIGN UNITS METRIC	THIRD ANGLE PROJECTION 	
	DRAWN BY DATE NMCNAMAR 2004/02/12	CHECKED BY DATE JDENNEHY 2004/02/13	APPROVED BY DATE BMAGUIRE 2004/02/16	MATERIAL NO. SD-91716-001	DOCUMENT NO.	SHEET NO. 2 OF 6	TITLE APPLI-MATE 2.5 FEMALE (MATL: NYLON PA6)
	DRAFT WHERE APPLICABLE MUST REMAIN WITH DIMENSIONS			SEE CHARTS	THIS DRAWING CONTAINS INFORMATION THAT IS PROPRIETARY TO MOLEX INCORPORATED AND SHOULD NOT BE USED WITHOUT WRITTEN PERMISSION		
	ANGULAR ±1/2°						

5 CIRCUIT

MOLEX PART NO.	MOLEX HOUSING NO.	TERMINAL VOID POSITION	REMOVED POSITION KEYS	CONFIGURATION (SEE NOTES)	POLARIZING RIB	COLOUR STRIPE
91716-1001	91715-0005	NONE	NONE		NONE	NONE
91716-1002	91715-0305	NONE	ALL		BETWEEN CKT 3&4	NONE
91716-1003	91715-0405	NONE	NONE		BETWEEN CKT 4&5	NONE
91716-1004	91715-0005	NONE	c d		NONE	NONE
91716-1005	91715-0005	NONE	a		NONE	NONE
91716-1006	91715-0005	NONE	b		NONE	NONE
91716-1007	91715-0005	NONE	a b e f		NONE	NONE
91716-1008	91715-0205	NONE	NONE		BETWEEN CKT 2&3	NONE
91716-1009	91715-0005	CKT 2, 3, 4	NONE		NONE	NONE
91716-1010	91715-0005	CKT 2	c		NONE	NONE
91716-1011	91715-0005	CKT 2	d		NONE	NONE
91716-1012	91715-0005	CKT 2	b		NONE	NONE
91716-1013	91715-0005	CKT 2	a		NONE	NONE
91716-1014	91715-0005	NONE	b c d e		NONE	NONE
91716-1015	91715-0305	CKT 2, 3, 4	NONE		BETWEEN CKT 3&4	RED
91716-1016	91715-0005	CKT 2	b		NONE	RED
91716-1017	91715-0005	NONE	d e		NONE	NONE
91716-1018	91715-0005	NONE	a d f		NONE	NONE
91716-1019	91715-0105	NONE	NONE		BETWEEN CKT 1&2	NONE
91716-1020	91715-0005	CKT 2, 3, 4	b		NONE	NONE
91716-1021	91715-0005	NONE	d		NONE	NONE
91716-1022	91715-0005	NONE	b f		NONE	RED
91716-1023	91715-0005	CKT 2, 3, 4	c e		NONE	NONE
91716-1024	91715-0205	NONE	a b e f		BETWEEN 2&3	NONE
91716-1025	91715-0005	CKT 2, 3, 4	c f		NONE	NONE

6 CIRCUIT

MOLEX PART NO.	MOLEX HOUSING NO.	TERMINAL VOID POSITION	REMOVED POSITION KEYS	CONFIGURATION (SEE NOTES)	POLARIZING RIB	COLOUR STRIPE
91716-1501	91715-0006	NONE	NONE		NONE	NONE
91716-1502	91715-0306	NONE	ALL		BETWEEN CKT 3&4	NONE
91716-1503	91715-0006	NONE	c e f g		NONE	NONE
91716-1504	91715-0206	NONE	ALL		BETWEEN CKT 2&3	NONE
91716-1505	91715-0006	CKT 2, 5	d f		NONE	NONE
91716-1506	91715-0006	NONE	a b f g		NONE	NONE
91716-1507	91715-0006	NONE	e f		NONE	NONE
91716-1509	91715-0006	NONE	g		NONE	NONE
91716-1510	91715-0006	CKT 2	c f		NONE	NONE
91716-1511	91715-0006	CKT 2, 5	NONE		NONE	NONE
91716-1512	91715-0006	CKT 3, 5	NONE		NONE	NONE
91716-1513	91715-0006	CKT 2, 4	b d e f		NONE	NONE
91716-1514	91715-0106	CKT 3, 5	NONE		BETWEEN CKT 1&2	NONE
91716-1515	91715-0206	CKT 2, 5	NONE		BETWEEN CKT 2&3	NONE
91716-1516	91715-0306	NONE	c f		BETWEEN CKT 3&4	NONE
91716-1517	91715-0006	NONE	c e		NONE	NONE
91716-1518	91715-0006	CKT 2, 4	NONE		NONE	NONE
91716-1519	91715-0006	NONE	a c e		NONE	NONE
91716-1520	91715-0006	CKT 5	c e		NONE	NONE
91716-1521	91715-0006	CKT 2, 4, 5, 6	c e		NONE	NONE
91716-1522	91715-0006	CKT 2, 6	c e		NONE	NONE

6 CIRCUIT (cont'd)

MOLEX PART NO.	MOLEX HOUSING NO.	TERMINAL VOID POSITION	REMOVED POSITION KEYS	CONFIGURATION (SEE NOTES)	POLARIZING RIB	COLOUR STRIPE
91716-1523	91715-0406	NONE	NONE		BETWEEN CKT 4&5	NONE
91716-1524	91715-0006	CKT 2, 4, 5, 6	NONE		NONE	NONE
91716-1525	91715-0006	CKT 2, 6	NONE		NONE	NONE
91716-1526	91715-0006	CKT 2, 5	NONE		NONE	NONE
91716-1527	91715-0006	CKT 2, 5	c e		NONE	NONE
91716-1528	91715-0006	CKT 2, 5	a b d f g		NONE	GREEN
91716-1529	91715-0006	NONE	d		NONE	NONE
91716-1531	91715-0006	CKT 1, 2, 3, 5	NONE		NONE	NONE
91716-1532	91715-0006	CKT 1, 2, 3, 5	d f		NONE	NONE
91716-1534	91715-0006	CKT 3, 4	b d f		NONE	NONE
91716-1535	91715-0006	CKT 4, 5	b d f		NONE	NONE
91716-1536	91715-0206	NONE	NONE		BETWEEN CKT 2&3	NONE
91716-1537	91715-0006	NONE	d		NONE	BLUE
91716-1538	91715-0006	CKT 2, 5	b d		NONE	NONE
91716-1539	91715-0006	CKT 5, 6	c f		NONE	NONE
91716-1540	91715-0006	CKT 2, 4	d e		NONE	GREEN
91716-1541	91715-0006	NONE	a f g		NONE	NONE
91716-1542	91715-0006	NONE	NONE		NONE	RED
91716-1543	91715-0506	NONE	NONE		BETWEEN 5&6	NONE
91716-1544	91715-0006	NONE	c e g		NONE	RED
91716-1545	91715-0006	NONE	d f		NONE	BLACK

NOTES

- DENOTES TERMINAL VOIDED POSITION
DENOTES TERMINAL LOADED POSITION
DENOTES POLARIZING RIB POSITION
- HOUSING NUMBER FOR MOLEX REFERENCE ONLY

SEE SHEET 1 DWG NO: P2003-1062 DRAWN BY: DRW:MSULL (VAN01201301018) CHKD: AV APPR: STOR LIFE IN 2013/02/14	QUALITY SYMBOLS ▽=0 ▽=1	GENERAL TOLERANCES (UNLESS SPECIFIED)		DIMENSION STYLE: MM ONLY		SCALE: 1:1	DESIGN UNITS: METRIC	THIRD ANGLE PROJECTION	
		mm		INCH		DRAWN BY: NMCNAMAR		DATE: 2004/02/12	
		4 PLACES ± ---		± ---		CHECKED BY: JDENNEHY		DATE: 2004/02/13	
		3 PLACES ± 0.05		± ---		APPROVED BY: BMAGUIRE		DATE: 2004/02/16	
2 PLACES ± 0.10		± ---		ANGULAR ± 1/2°		SEE CHARTS		DOCUMENT NO. SD-91716-001	
1 PLACE ± 0.2		± ---		DRAFT WHERE APPLICABLE MUST REMAIN WITHIN DIMENSIONS		THIS DRAWING CONTAINS INFORMATION THAT IS PROPRIETARY TO MOLEX INCORPORATED AND SHOULD NOT BE USED WITHOUT WRITTEN PERMISSION		SHEET NO. 3 OF 6	
0 PLACE ±		±							

6 CIRCUIT (cont'd)						
MOLEX PART NO.	MOLEX HOUSING NO.	TERMINAL VOID POSITION	REMOVED POSITION KEYS	CONFIGURATION (SEE NOTES)	POLARIZING RIB	COLOUR STRIPE
91716-1546	91715-0006	NONE	a d		NONE	NONE
91716-1547	91715-0006	NONE	b e f		NONE	NONE
91716-1548	91715-0006	NONE	c d e		NONE	NONE
91716-1549	91715-0406	NONE	NONE		BETWEEN CKT 4&5	NONE
91716-1550	91715-0006	NONE	b d f		NONE	NONE
91716-1551	91715-0006	NONE	a c e g		NONE	NONE
91716-1552	91715-0006	NONE	a b d f		NONE	NONE
91716-1553	91715-0006	CCT 2, 5	c d		NONE	BLACK
91716-1554	91715-0006	CCT 2, 4	b		NONE	RED
91716-1555	91715-0006	NONE	c f		NONE	NONE
91716-1556	91715-0006	NONE	b d e g		NONE	NONE
91716-1557	91715-0006	CCT 2&4	b g		NONE	RED

- NOTES
- DENOTES TERMINAL VOIDED POSITION
 DENOTES TERMINAL LOADED POSITION
 DENOTES POLARIZING RIB POSITION
 - HOUSING NUMBER FOR MOLEX REFERENCE ONLY

SEE SHEET 1 EC NO: IP02013-1062 DRWNGSULLIVAN072013/01/18 CHKD: AV APPR: STORIFFIN 2013/02/14 REV:	QUALITY SYMBOLS = 0 = 0	GENERAL TOLERANCES (UNLESS SPECIFIED) <table border="1"> <tr> <th></th> <th>mm</th> <th>INCH</th> </tr> <tr> <td>4 PLACES</td> <td>± 0.10</td> <td>± 0.004</td> </tr> <tr> <td>3 PLACES</td> <td>± 0.05</td> <td>± 0.002</td> </tr> <tr> <td>2 PLACES</td> <td>± 0.10</td> <td>± 0.004</td> </tr> <tr> <td>1 PLACE</td> <td>± 0.2</td> <td>± 0.008</td> </tr> <tr> <td>0 PLACE</td> <td>±</td> <td>±</td> </tr> </table>		mm	INCH	4 PLACES	± 0.10	± 0.004	3 PLACES	± 0.05	± 0.002	2 PLACES	± 0.10	± 0.004	1 PLACE	± 0.2	± 0.008	0 PLACE	±	±	DIMENSION STYLE MM ONLY	SCALE 1:1	DESIGN UNITS METRIC	THIRD ANGLE PROJECTION
		mm	INCH																					
4 PLACES	± 0.10	± 0.004																						
3 PLACES	± 0.05	± 0.002																						
2 PLACES	± 0.10	± 0.004																						
1 PLACE	± 0.2	± 0.008																						
0 PLACE	±	±																						
DRAWN BY DATE NMCNAMAR 2004/02/12 CHECKED BY DATE JDENNEHY 2004/02/13 APPROVED BY DATE BMAGUIRE 2004/02/16 MATERIAL NO. SEE CHARTS		TITLE APPLI-MATE 2.5 FEMALE (MATL: NYLON PA6)		DOCUMENT NO. SD-91716-001		SHEET NO. 4 OF 6																		

THIS DRAWING CONTAINS INFORMATION THAT IS PROPRIETARY TO MOLEX INCORPORATED AND SHOULD NOT BE USED WITHOUT WRITTEN PERMISSION

7 CIRCUIT						
MOLEX PART NO.	MOLEX HOUSING NO.	TERMINAL VOID POSITION	REMOVED POSITION KEYS	CONFIGURATION (SEE NOTES)	POLARIZING RIB	COLOUR STRIPE
91716-2001	91715-0007	NONE	NONE		NONE	NONE
91716-2002	91715-0207	NONE	ALL		BETWEEN CKT 2&3	NONE
91716-2004	91715-0007	NONE	a		NONE	NONE
91716-2005	91715-0007	CKT 2	h		NONE	NONE
91716-2006	91715-0007	CKT 4	a		NONE	NONE
91716-2007	91715-0007	CKT 2	NONE		NONE	NONE
91716-2008	91715-0007	CKT 6	NONE		NONE	NONE
91716-2009	91715-0007	CKT 2	b c e g		NONE	BLUE
91716-2010	91715-0007	CKT 4, 6	b d f		NONE	RED
91716-2011	91715-0007	CKT 4, 6	b d f		NONE	BLUE
91716-2012	91715-0007	CKT 2	NONE		NONE	BLUE
91716-2013	91715-0007	CKT 2	b d e f h		NONE	BLUE
91716-2014	91715-0007	CKT 4, 6	NONE		NONE	BLUE
91716-2015	91715-0007	CKT 4, 6	c d e f h		NONE	BLUE
91716-2016	91715-0007	CKT 6	c d e f h		NONE	BLUE
91716-2017	91715-0007	CKT 6	c d e f		NONE	BLUE
91716-2018	91715-0007	CKT 6	NONE		NONE	BLUE
91716-2019	91715-0007	CKT 2	NONE		NONE	BLACK
91716-2020	91715-0007	NONE	a c e f h		NONE	NONE
91716-2021	91715-0007	NONE	a		NONE	BLACK
91716-2022	91715-0007	NONE	b c d f		NONE	NONE
91716-2023	91715-0007	NONE	a d		NONE	NONE
91716-2024	91715-0007	NONE	a b e f		NONE	NONE
91716-2025	91715-0507	NONE	NONE		BETWEEN CKT 5&6	NONE
91716-2026	91715-0007	NONE	ALL		NONE	NONE

8 CIRCUIT						
MOLEX PART NO.	MOLEX HOUSING NO.	TERMINAL VOID POSITION	REMOVED POSITION KEYS	CONFIGURATION (SEE NOTES)	POLARIZING RIB	COLOUR STRIPE
91716-2501	91715-0008	NONE	NONE		NONE	NONE
91716-2502	91715-0308	NONE	NONE		BETWEEN CKT 3&4	NONE
91716-2503	91715-0008	NONE	c f h i		NONE	NONE
91716-2504	91715-0008	NONE	b c d h i		NONE	NONE
91716-2505	91715-0008	NONE	b c g h		NONE	BLUE
91716-2506	91715-0008	NONE	c f		NONE	NONE
91716-2507	91715-0008	NONE	c f h i		NONE	BLUE
91716-2508	91715-0008	NONE	NONE		NONE	BLUE
91716-2509	91715-0008	NONE	a c d e g i		NONE	BLUE
91716-2510	91715-0008	NONE	c d e f		NONE	BLUE
91716-2511	91715-0008	NONE	NONE		NONE	BLACK
91716-2512	91715-0008	NONE	c f h i		NONE	BLACK
91716-2513	91715-0008	NONE	c d g h		NONE	NONE
91716-2514	91715-0008	NONE	a c d e f g h i		NONE	BLUE
91716-2515	91715-0008	NONE	a b d f h i		NONE	NONE
91716-2516	91715-0008	NONE	b c d h i		NONE	BLUE
91716-2517	91715-2008	NONE	NONE		BETWEEN CKT 1&2 + CKT 7&8	NONE
91716-2518	91715-0008	NONE	b c d f h i		NONE	NONE
91716-2519	91715-0008	NONE	a c e f h i		NONE	NONE
91716-2520	91715-0008	NONE	ALL		NONE	NONE

NOTES
 1. DENOTES TERMINAL VOIDED POSITION
 DENOTES TERMINAL LOADED POSITION
 DENOTES POLARIZING RIB POSITION
 2. HOUSING NUMBER FOR MOLEX REFERENCE ONLY

8 CIRCUIT						
MOLEX PART NO.	MOLEX HOUSING NO.	TERMINAL VOID POSITION	REMOVED POSITION KEYS	CONFIGURATION (SEE NOTES)	POLARIZING RIB	COLOUR STRIPE
91716-2521	91715-0008	CKT 7, 8	a b d f h i		NONE	NONE
91716-2522	91715-0008	NONE	b c d f h i		NONE	BLUE

9 CIRCUIT						
MOLEX PART NO.	MOLEX HOUSING NO.	TERMINAL VOID POSITION	REMOVED POSITION KEYS	CONFIGURATION (SEE NOTES)	POLARIZING RIB	COLOUR STRIPE
91716-3001	91715-0009	NONE	NONE		NONE	NONE
91716-3002	91715-0409	NONE	NONE		BETWEEN CKT 4&5	NONE
91716-3003	91715-0009	CKT 2, 5, 8	NONE		NONE	NONE
91716-3004	91715-0209	NONE	NONE		BETWEEN CKT 2&3	NONE
91716-3005	91715-0009	CKT 2, 5, 8	b c e g i j		NONE	GREEN
91716-3006	91715-0009	CKT 2, 5, 8	NONE		NONE	GREEN
91716-3007	91715-0009	CKT 2, 5, 8	b c e f g i j		NONE	GREEN
91716-3008	91715-0009	CKT 2, 5, 8	b c e f g i		NONE	GREEN
91716-3009	91715-0009	CKT 2, 5, 7	c g		NONE	NONE
91716-3010	91715-0009	CKT 2, 5, 8	b c h i		NONE	NONE
91716-3011	91715-0709	NONE	NONE		BETWEEN CKT 7&8	NONE

10 CIRCUIT						
MOLEX PART NO.	MOLEX HOUSING NO.	TERMINAL VOID POSITION	REMOVED POSITION KEYS	CONFIGURATION (SEE NOTES)	POLARIZING RIB	COLOUR STRIPE
91716-3501	91715-0010	NONE	NONE		NONE	NONE
91716-3502	91715-0210	NONE	ALL		BETWEEN CKT 2&3	NONE
91716-3503	91715-0010	CKT 2, 5, 7, 9	NONE		NONE	NONE
91716-3504	91715-0410	NONE	NONE		BETWEEN CKT 4&5	NONE

SEE SHEET 1
 EC NO: IPG2013-1062
 DRAWING NO: VAND/2013/01/018
 CHKD:
 APPR: STGR/FF/IN 2013/02/14
 REV

QUALITY SYMBOLS

GENERAL TOLERANCES (UNLESS SPECIFIED)

	mm	INCH
4 PLACES ±	---	---
3 PLACES ±	0.05	---
2 PLACES ±	0.10	---
1 PLACE ±	0.2	---
0 PLACE	±	±

ANGULAR ±1/2°
 DRAFT WHERE APPLICABLE MUST REMAIN WITHIN DIMENSIONS

DIMENSION STYLE
MM ONLY
 DRAWN BY DATE: NMCNAMAR 2004/02/12
 CHECKED BY DATE: JDENNEHY 2004/02/13
 APPROVED BY DATE: BMAGUIRE 2004/02/16

SCALE: 1:1
 DESIGN UNITS: METRIC
 THIRD ANGLE PROJECTION

APPLI-MATE 2.5 FEMALE (MATL: NYLON PA6)

molex

MATERIAL NO. SD-91716-001
 DOCUMENT NO. SD-91716-001
 SHEET NO. 5 OF 6

THIS DRAWING CONTAINS INFORMATION THAT IS PROPRIETARY TO MOLEX INCORPORATED AND SHOULD NOT BE USED WITHOUT WRITTEN PERMISSION

11 CIRCUIT						
MOLEX PART NO.	MOLEX HOUSING NO.	TERMINAL VOID POSITION	REMOVED POSITION KEYS	CONFIGURATION (SEE NOTES)	POLARIZING RIB	COLOUR STRIPE
91716-4001	91715-0011	NONE	NONE	nnnnnnnnnnnn ⊙⊙⊙⊙⊙⊙⊙⊙⊙⊙ 1 2 3 4 5 6 7 8 9 10 11	NONE	NONE

12 CIRCUIT						
MOLEX PART NO.	MOLEX HOUSING NO.	TERMINAL VOID POSITION	REMOVED POSITION KEYS	CONFIGURATION (SEE NOTES)	POLARIZING RIB	COLOUR STRIPE
91716-4501	91715-0012	NONE	NONE	nnnnnnnnnnnn ⊙⊙⊙⊙⊙⊙⊙⊙⊙⊙ 1 2 3 4 5 6 7 8 9 10 11 12	NONE	NONE
91716-4502	91715-0012	CKT 2, 5, 8, 11	b c d e j k l	n b c d e n n n n j k l n ⊙⊙⊙⊙⊙⊙⊙⊙⊙⊙ 1 2 3 4 5 6 7 8 9 10 11 12	NONE	GREEN
91716-4503	91715-0012	CKT 2, 5, 8, 11	NONE	⊙⊙⊙⊙⊙⊙⊙⊙⊙⊙ ⊙⊙⊙⊙⊙⊙⊙⊙⊙⊙ 1 2 3 4 5 6 7 8 9 10 11 12	NONE	GREEN
91716-4504	91715-0012	CKT 2, 5, 8, 11	a c d e g h i k l m	a c d e g h i k l m ⊙⊙⊙⊙⊙⊙⊙⊙⊙⊙ 1 2 3 4 5 6 7 8 9 10 11 12	NONE	GREEN
91716-4505	91715-0012	CKT 2, 5, 8, 11	c d e g h i k l m	n n c d e g h i k l m ⊙⊙⊙⊙⊙⊙⊙⊙⊙⊙ 1 2 3 4 5 6 7 8 9 10 11 12	NONE	GREEN

13 CIRCUIT						
MOLEX PART NO.	MOLEX HOUSING NO.	TERMINAL VOID POSITION	REMOVED POSITION KEYS	CONFIGURATION (SEE NOTES)	POLARIZING RIB	COLOUR STRIPE
91716-5001	91715-0013	NONE	NONE	nnnnnnnnnnnn ⊙⊙⊙⊙⊙⊙⊙⊙⊙⊙ 1 2 3 4 5 6 7 8 9 10 11 12 13	NONE	NONE
91716-5002	91715-0013	CKT 4, 6, 8, 10, 12	NONE	⊙⊙⊙⊙⊙⊙⊙⊙⊙⊙ ⊙⊙⊙⊙⊙⊙⊙⊙⊙⊙ 1 2 3 4 5 6 7 8 9 10 11 12 13	NONE	NONE
91716-5003	91715-0013	NONE	c f h i k l	n n c n n f h i k l n n ⊙⊙⊙⊙⊙⊙⊙⊙⊙⊙ 1 2 3 4 5 6 7 8 9 10 11 12 13	NONE	NONE

14 CIRCUIT						
MOLEX PART NO.	MOLEX HOUSING NO.	TERMINAL VOID POSITION	REMOVED POSITION KEYS	CONFIGURATION (SEE NOTES)	POLARIZING RIB	COLOUR STRIPE
91716-5501	91715-0014	NONE	NONE	nnnnnnnnnnnn ⊙⊙⊙⊙⊙⊙⊙⊙⊙⊙ 1 2 3 4 5 6 7 8 9 10 11 12 13 14	NONE	NONE

- NOTES:
- + DENOTES TERMINAL VOIDED POSITION
● DENOTES TERMINAL LOADED POSITION
| DENOTES POLARIZING RIB POSITION
 - HOUSING NUMBER FOR MOLEX REFERENCE ONLY

15 CIRCUIT						
MOLEX PART NO.	MOLEX HOUSING NO.	TERMINAL VOID POSITION	REMOVED POSITION KEYS	CONFIGURATION (SEE NOTES)	POLARIZING RIB	COLOUR STRIPE
91716-6001	91715-0015	NONE	NONE	nnnnnnnnnnnn ⊙⊙⊙⊙⊙⊙⊙⊙⊙⊙ 1 2 3 4 5 6 7 8 9 10 11 12 13 14 15	NONE	NONE
91716-6002	91715-0015	CKT 4, 6, 8, 10, 12, 14	o p	nnnnnnnnnnnn ⊙⊙⊙⊙⊙⊙⊙⊙⊙⊙ 1 2 3 4 5 6 7 8 9 10 11 12 13 14 15	NONE	NONE
91716-6003	91715-0515	NONE	a p	nnnnnnnnnnnn ⊙⊙⊙⊙⊙⊙⊙⊙⊙⊙ 1 2 3 4 5 6 7 8 9 10 11 12 13 14 15	BETWEEN 5&6	NONE

16 CIRCUIT						
MOLEX PART NO.	MOLEX HOUSING NO.	TERMINAL VOID POSITION	REMOVED POSITION KEYS	CONFIGURATION (SEE NOTES)	POLARIZING RIB	COLOUR STRIPE
91716-6501	91715-0016	NONE	NONE	nnnnnnnnnnnn ⊙⊙⊙⊙⊙⊙⊙⊙⊙⊙ 1 2 3 4 5 6 7 8 9 10 11 12 13 14 15 16	NONE	NONE

17 CIRCUIT						
MOLEX PART NO.	MOLEX HOUSING NO.	TERMINAL VOID POSITION	REMOVED POSITION KEYS	CONFIGURATION (SEE NOTES)	POLARIZING RIB	COLOUR STRIPE
91716-7001	91715-0017	NONE	NONE	nnnnnnnnnnnn ⊙⊙⊙⊙⊙⊙⊙⊙⊙⊙ 1 2 3 4 5 6 7 8 9 10 11 12 13 14 15 16 17	NONE	NONE

18 CIRCUIT						
MOLEX PART NO.	MOLEX HOUSING NO.	TERMINAL VOID POSITION	REMOVED POSITION KEYS	CONFIGURATION (SEE NOTES)	POLARIZING RIB	COLOUR STRIPE
91716-7501	91715-0018	NONE	NONE	nnnnnnnnnnnn ⊙⊙⊙⊙⊙⊙⊙⊙⊙⊙ 1 2 3 4 5 6 7 8 9 10 11 12 13 14 15 16 17 18	NONE	NONE

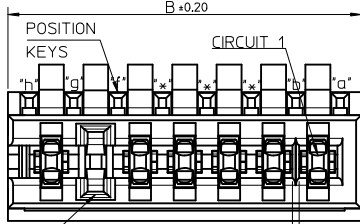
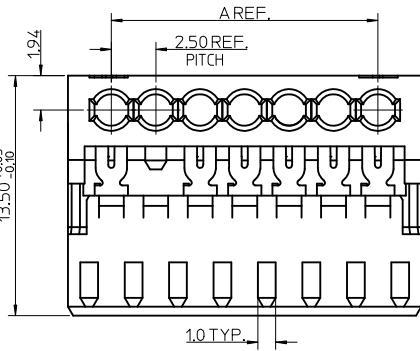
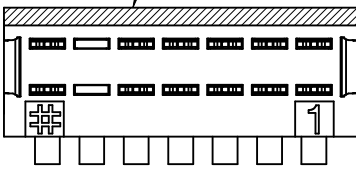
19 CIRCUIT						
MOLEX PART NO.	MOLEX HOUSING NO.	TERMINAL VOID POSITION	REMOVED POSITION KEYS	CONFIGURATION (SEE NOTES)	POLARIZING RIB	COLOUR STRIPE
91716-8001	91715-0019	NONE	NONE	nnnnnnnnnnnn ⊙⊙⊙⊙⊙⊙⊙⊙⊙⊙ 1 2 3 4 5 6 7 8 9 10 11 12 13 14 15 16 17 18 19	NONE	NONE

20 CIRCUIT						
MOLEX PART NO.	MOLEX HOUSING NO.	TERMINAL VOID POSITION	REMOVED POSITION KEYS	CONFIGURATION (SEE NOTES)	POLARIZING RIB	COLOUR STRIPE
91716-8501	91715-0020	NONE	NONE	nnnnnnnnnnnn ⊙⊙⊙⊙⊙⊙⊙⊙⊙⊙ 1 2 3 4 5 6 7 8 9 10 11 12 13 14 15 16 17 18 19 20	NONE	NONE

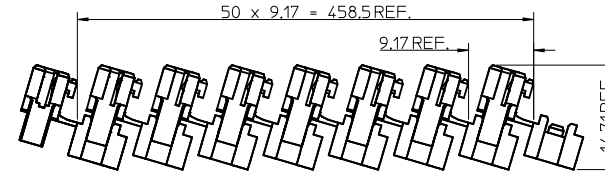
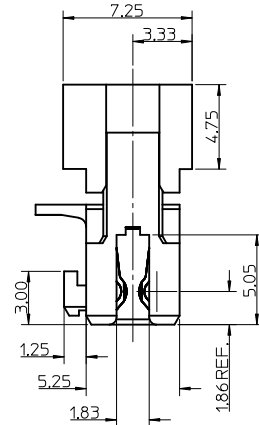
SEE SHEET 1 SEC NO: IP2013-1062 DRAWN BY: SULLIVAN, VANDY CHKD: AV APPROVER: GRIFFIN	QUALITY SYMBOLS ▽=0 ▽=0	GENERAL TOLERANCES (UNLESS SPECIFIED) mm INCH 4 PLACES ±.--- ±.--- 3 PLACES ±0.05 ±.--- 2 PLACES ±0.10 ±.--- 1 PLACE ±0.2 ±.--- 0 PLACE ± ±	DIMENSION STYLE MM ONLY	SCALE 1:1	DESIGN UNITS METRIC	THIRD ANGLE PROJECTION	
			DRAWN BY NMCNAMAR	DATE 2004/02/12	TITLE APPLI-MATE 2.5 FEMALE (MATL: NYLON PA6)		
			CHECKED BY JDENNEHY	DATE 2004/02/13	APPROVED BY DATE 2004/02/16		
			MATERIAL NO. SEE CHARTS		DOCUMENT NO. SD-91716-001	SHEET NO. 6 OF 6	
DRAFT WHERE APPLICABLE MUST REMAIN WITHIN DIMENSIONS						THIS DRAWING CONTAINS INFORMATION THAT IS PROPRIETARY TO MOLEX INCORPORATED AND SHOULD NOT BE USED WITHOUT WRITTEN PERMISSION	

EM-91716-010

POSITION OF COLOUR STRIPE (see note 3)



LATCH AT CCT6

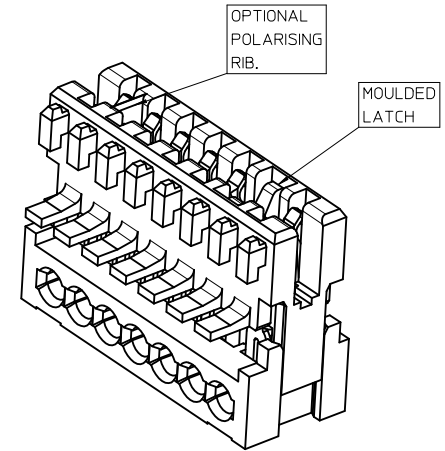


SHIPPING ARRANGEMENT SCALE 2:1

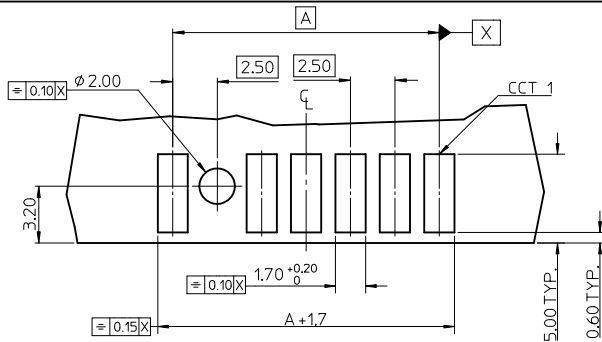
CCT	"A"	"B"
3	5.0	9.875
4	7.5	12.375
5	10.0	14.875
6	12.5	17.375
7	15.0	19.875
8	17.5	22.375
9	20.0	24.875
10	22.5	27.375
11	25.0	29.875
12	27.5	32.375
13	30.0	34.875
14	32.5	37.375
15	35.0	39.875

NOTES:

- REFER TO PRODUCT SPECIFICATION: PS-99020-0040.
- MATERIAL: HOUSING - POLYAMIDE 6 (PA6) UL94-V2. COLOUR NATURAL.
TERMINAL: PHOSPHOR BRONZE 0.30 REF. THICK - PLATING HOT TIN DIP.
- COLOUR STRIPE IS OPTIONAL. AVAILABLE IN THE FOLLOWING COLOURS: RED, GREEN, BLUE.
(BLACK SIGNIFIES CUSTOMER SPECIFIC CONFIGURATION).
- REFER TO PACKAGING SPEC (PK-90871-001)
- REFER TO APPLICATION SPEC (AS-99033-0008)
- FOR CIRCUIT SIZES LARGER THAN 16CCT - CONTACT ENG. DEPT.



OPEN END WALL OPTION (LATCH SHOWN IN CCT 6)



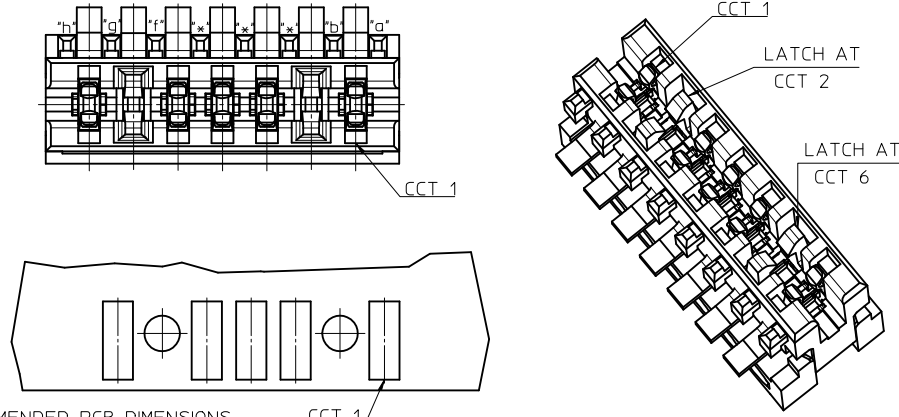
- PCB LAYOUT FOR 7CCT CONNECTOR (LAYOUT SHOWN FOR PART WITHOUT POLARIZING RIB AND WITH OPEN END WALLS)
- RECOMMENDED PCB THICKNESS 1.5±0.14

Add P/N EC NO: IPG2013-118 DRW:MSULLIVAN012013/01/25 CHKD: APPR:STGRUFFIN_2013/02/14	QUALITY SYMBOLS ▽=0 ▽=0	GENERAL TOLERANCES (UNLESS SPECIFIED) <table border="1"> <thead> <tr> <th></th> <th>mm</th> <th>INCH</th> </tr> </thead> <tbody> <tr><td>4 PLACES</td><td>±---</td><td>±---</td></tr> <tr><td>3 PLACES</td><td>±0.05</td><td>±---</td></tr> <tr><td>2 PLACES</td><td>±0.10</td><td>±---</td></tr> <tr><td>1 PLACE</td><td>±0.2</td><td>±---</td></tr> </tbody> </table> ANGULAR ±1/2°		mm	INCH	4 PLACES	±---	±---	3 PLACES	±0.05	±---	2 PLACES	±0.10	±---	1 PLACE	±0.2	±---	DIMENSION STYLE MM ONLY	SCALE 5:1	DESIGN UNITS METRIC	THIRD ANGLE PROJECTION
		mm	INCH																		
4 PLACES	±---	±---																			
3 PLACES	±0.05	±---																			
2 PLACES	±0.10	±---																			
1 PLACE	±0.2	±---																			
DRAWN BY SMCGREEVY CHECKED BY DATE DATE APPROVED BY EFOLAN DATE 2012/03/01	MATERIAL NO. SHEETS 3 & 4	TITLE APPLI-MATE 2.5 FEMALE G.W.T. 750 VERSION INTERNAL LATCH MOLEX INCORPORATED	DOCUMENT NO. SD-93385-001	SHEET NO. 1 OF 4																	

DRAFT WHERE APPLICABLE MUST REMAIN WITHIN DIMENSIONS

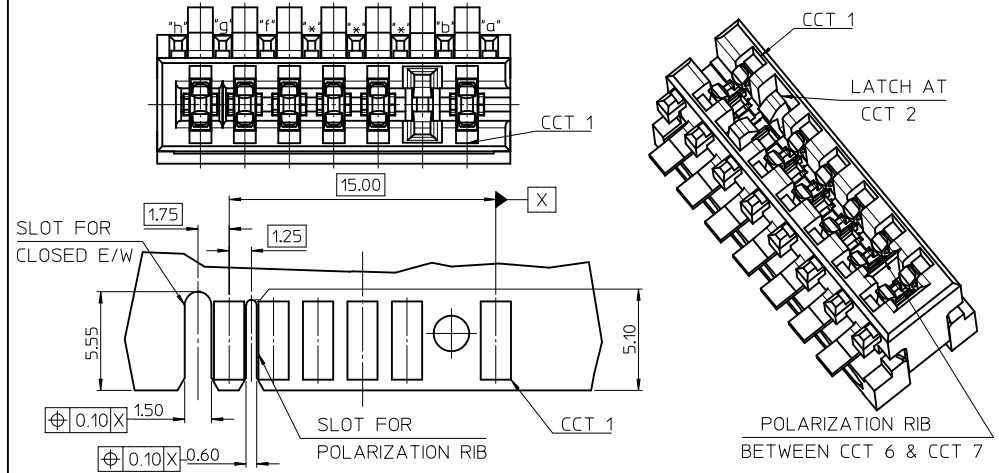
THIS DRAWING CONTAINS INFORMATION THAT IS PROPRIETARY TO MOLEX INCORPORATED AND SHOULD NOT BE USED WITHOUT WRITTEN PERMISSION

7CCT OPTION WITH OPEN ENDWALLS, 2 LATCHES AND 0 POLARIZING RIBS

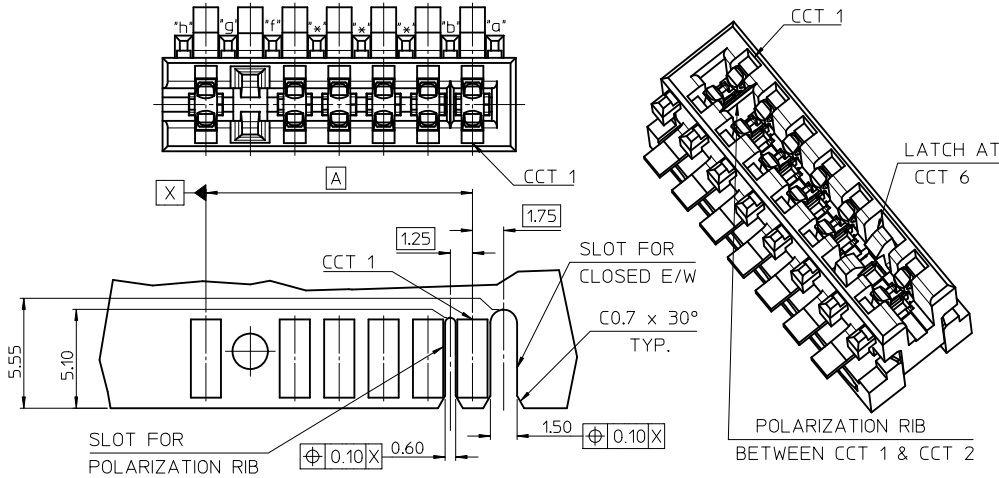


RECOMMENDED PCB DIMENSIONS CAN BE FOUND ON SHEET 1

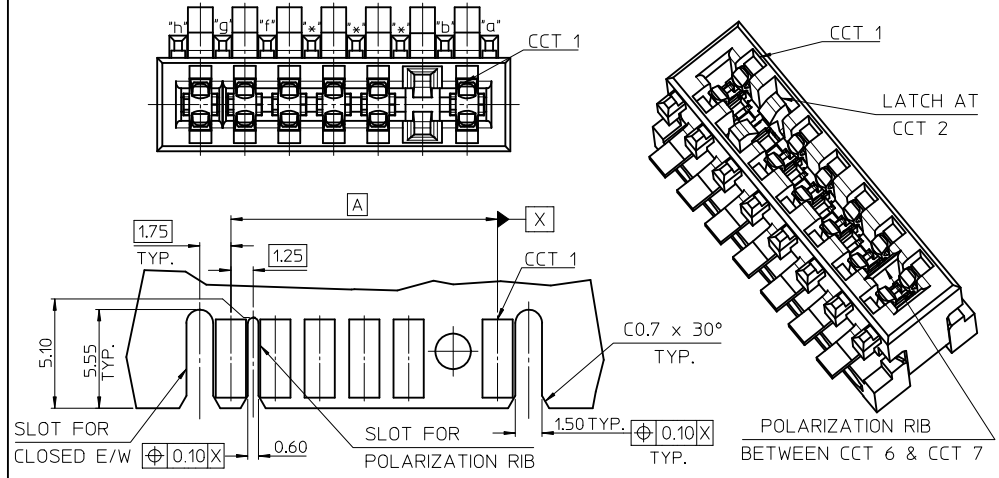
7CCT OPTION WITH OPTION C ENDWALLS, 1 LATCH AND 1 POLARIZING RIB (OPTION C: FIRST ENDWALL OPEN, LAST END WALL CLOSED)



7CCT OPTION WITH OPTION D ENDWALLS, 1 LATCH AND 1 POLARIZING RIB (OPTION D: FIRST END WALL CLOSED, LAST END WALL OPEN)



7CCT OPTION WITH OPTION E ENDWALLS, 1 LATCH AND 1 POLARIZING RIB (OPTION E: FIRST ENDWALL CLOSED, LAST END WALL CLOSED)



NOTES:

- FOR ALL UNSPECIFIED PCB DIMENSIONS SEE SHEET 1
- VIEWS FOR REPRESENTATION PURPOSES ONLY - OTHER OPTIONS AVAILABLE, SEE CHARTS ON SHEETS 4 & 5 OR, CONTACT YOUR SALES ENGINEER
- MOULDED LATCHES AVAILABLE IN SECOND CCT, SECOND LAST CCT OR, SECOND & SECOND LAST CCTS AS STANDARD. NON STANDARD OPTIONS AVAILABLE ON REQUEST
- INTERNAL POLARIZING RIBS AVAILABLE BETWEEN ANY 2 CIRCUITS BUT ARE NOT AVAILABLE BETWEEN LATCH CIRCUIT AND CIRCUITS EITHER SIDE OF LATCH CIRCUIT

SEE SHEET 1
 EC NO: IPG2013-118
 DRW:HSULL/AVNO12013101/25
 CHK: [blank]
 APPR:STGR/FFIN 2013/02/14

QUALITY SYMBOLS	GENERAL TOLERANCES (UNLESS SPECIFIED)	
	mm	INCH
▽=0	4 PLACES ±---	±---
▽=0	3 PLACES ±0.05	±---
	2 PLACES ±0.10	±---
	1 PLACE ±0.2	±---
	ANGULAR ±1/2°	

DRAFT WHERE APPLICABLE MUST REMAIN WITHIN DIMENSIONS

DIMENSION STYLE		SCALE	DESIGN UNITS	THIRD ANGLE PROJECTION
MM ONLY		5:1	METRIC	☉
DRAWN BY	DATE	TITLE		
SMCGREEVY	2011/12/15	APPLI-MATE 2.5 FEMALE		
CHECKED BY	DATE	G.W.T. 750 VERSION		
		INTERNAL LATCH		
APPROVED BY	DATE	MOLEX INCORPORATED		
EFOLAN	2012/03/01			
MATERIAL NO.	DOCUMENT NO.			
SHEETS 3 & 4	SD-93385-001			
SIZE	THIS DRAWING CONTAINS INFORMATION THAT IS PROPRIETARY TO MOLEX INCORPORATED AND SHOULD NOT BE USED WITHOUT WRITTEN PERMISSION			
A2				

SCALE	DESIGN UNITS	THIRD ANGLE PROJECTION
5:1	METRIC	☉
TITLE		
APPLI-MATE 2.5 FEMALE		
G.W.T. 750 VERSION		
INTERNAL LATCH		
MOLEX INCORPORATED		
MATERIAL NO.	DOCUMENT NO.	SHEET NO.
SHEETS 3 & 4	SD-93385-001	2 OF 4

3 CIRCUIT

MOLEX PART NO.	MOLEX HOUSING NO.	TERMINAL VOID POSITION	REMOVED POSITION KEYS	CONFIGURATION (SEE NOTE 1)	LATCH BETWEEN	POLARIZING RIB	ENDWALLS	COLOUR STRIPE
93385-0001	93049-2003	CKT 2	NONE		CCT 1&3	NONE	OPEN	NONE
93385-0002	93049-2043	CKT 2	C		CCT 1&3	NONE	C	NONE

4 CIRCUIT

MOLEX PART NO.	MOLEX HOUSING NO.	TERMINAL VOID POSITION	REMOVED POSITION KEYS	CONFIGURATION (SEE NOTE 1)	LATCH BETWEEN	POLARIZING RIB	ENDWALLS	COLOUR STRIPE
93385-0501	93049-2004	CKT 2	NONE		CCT 1&3	NONE	OPEN	NONE
93385-0502	93049-4004	CKT 3	NONE		CCT 2&4	NONE	OPEN	NONE

5 CIRCUIT

MOLEX PART NO.	MOLEX HOUSING NO.	TERMINAL VOID POSITION	REMOVED POSITION KEYS	CONFIGURATION (SEE NOTE 1)	LATCH BETWEEN	POLARIZING RIB	ENDWALLS	COLOUR STRIPE
93385-1001	93049-2005	CKT 2	NONE		CCT 1&3	NONE	OPEN	NONE
93385-1002	93049-4005	CKT 4	NONE		CCT 3&5	NONE	OPEN	NONE
93385-1003	93049-6005	CKT 2, 4	NONE		CCT 1&3 & CCT 3&5	NONE	OPEN	NONE

6 CIRCUIT

MOLEX PART NO.	MOLEX HOUSING NO.	TERMINAL VOID POSITION	REMOVED POSITION KEYS	CONFIGURATION (SEE NOTE 1)	LATCH BETWEEN	POLARIZING RIB	ENDWALLS	COLOUR STRIPE
93385-1501	93049-2006	CKT 2	NONE		CCT 1&3	NONE	OPEN	NONE
93385-1502	93049-4006	CKT 5	NONE		CCT 4&6	NONE	OPEN	NONE
93385-1503	93049-6006	CKT 2, 5	NONE		CCT 1&3 & CCT 4&6	NONE	OPEN	NONE

7 CIRCUIT

MOLEX PART NO.	MOLEX HOUSING NO.	TERMINAL VOID POSITION	REMOVED POSITION KEYS	CONFIGURATION (SEE NOTE 1)	LATCH BETWEEN	POLARIZING RIB	ENDWALLS	COLOUR STRIPE
93385-2001	93049-2007	CKT 2	NONE		CCT 1&3	NONE	OPEN	NONE
93385-2002	93049-4007	CKT 6	NONE		CCT 5&7	NONE	OPEN	NONE
93385-2003	93049-6007	CKT 2, 6	NONE		CCT 1&3 & CCT 5&7	NONE	OPEN	NONE

- NOTES
- + DENOTES TERMINAL VOIDED POSITION
 - DENOTES TERMINAL LOADED POSITION
 - | DENOTES POLARIZING RIB POSITION
 - DENOTES LATCH POSITION
 - PRESENCE OF LATCH IN ANY CIRCUIT AUTOMATICALLY DENOTES A TERMINAL VOID POSITION
 - MOLEX HOUSING NO. FOR REFERENCE ONLY

8 CIRCUIT

MOLEX PART NO.	MOLEX HOUSING NO.	TERMINAL VOID POSITION	REMOVED POSITION KEYS	CONFIGURATION (SEE NOTE 1)	LATCH BETWEEN	POLARIZING RIB	ENDWALLS	COLOUR STRIPE
93385-2501	93049-2008	CKT 2	NONE		CCT 1&3	NONE	OPEN	NONE
93385-2502	93049-4008	CKT 7	NONE		CCT 6&8	NONE	OPEN	NONE
93385-2503	93049-6008	CKT 2, 7	NONE		CCT 1&3 & CCT 6&8	NONE	OPEN	NONE

9 CIRCUIT

MOLEX PART NO.	MOLEX HOUSING NO.	TERMINAL VOID POSITION	REMOVED POSITION KEYS	CONFIGURATION (SEE NOTE 1)	LATCH BETWEEN	POLARIZING RIB	ENDWALLS	COLOUR STRIPE
93385-3001	93049-2009	CKT 2	NONE		CCT 1&3	NONE	OPEN	NONE
93385-3002	93049-4009	CKT 8	NONE		CCT 7&9	NONE	OPEN	NONE
93385-3003	93049-6009	CKT 2, 8	NONE		CCT 1&3 & CCT 7&9	NONE	OPEN	NONE

10 CIRCUIT

MOLEX PART NO.	MOLEX HOUSING NO.	TERMINAL VOID POSITION	REMOVED POSITION KEYS	CONFIGURATION (SEE NOTE 1)	LATCH BETWEEN	POLARIZING RIB	ENDWALLS	COLOUR STRIPE
93385-3501	93049-2010	CKT 2	NONE		CCT 1&3	NONE	OPEN	NONE
93385-3502	93049-4010	CKT 9	NONE		CCT 8&10	NONE	OPEN	NONE
93385-3503	93049-6010	CKT 2, 9	NONE		CCT 1&3 & CCT 8&10	NONE	OPEN	NONE

11 CIRCUIT

MOLEX PART NO.	MOLEX HOUSING NO.	TERMINAL VOID POSITION	REMOVED POSITION KEYS	CONFIGURATION (SEE NOTE 1)	LATCH BETWEEN	POLARIZING RIB	ENDWALLS	COLOUR STRIPE
93385-4001	93049-2011	CKT 2	NONE		CCT 1&3	NONE	OPEN	NONE
93385-4002	93049-4011	CKT 10	NONE		CCT 9&11	NONE	OPEN	NONE
93385-4003	93049-6011	CKT 2, 10	NONE		CCT 1&3 & CCT 9&11	NONE	OPEN	NONE

SEE SHEET 1 EC NO: IPG2013-118 DRAWING TITLE: VIANO 2013/01/25 CHKD: APPR: STGR/IFF IN REV:	QUALITY SYMBOLS ▽=0 ▽=0	GENERAL TOLERANCES (UNLESS SPECIFIED) mm INCH 4 PLACES ± --- ± --- 3 PLACES ± 0.05 ± --- 2 PLACES ± 0.10 ± --- 1 PLACE ± 0.2 ± --- ANGULAR ± 1/2°	DIMENSION STYLE MM ONLY	SCALE 1:1	DESIGN UNITS METRIC	THIRD ANGLE PROJECTION	
	DRAWN BY: SMCREEVY DATE: 2011/12/15 CHECKED BY:	TITLE APPLI-MATE 2.5 FEMALE G.W.T. 750 VERSION INTERNAL LATCH	APPROVED BY: EFOLAN DATE: 2012/03/01	MATERIAL NO.	DOCUMENT NO. SD-93385-001	SHEET NO. 3 OF 4	MOLEX INCORPORATED
	DRAFT WHERE APPLICABLE MUST REMAIN WITHIN DIMENSIONS						SEE CHART
	THIS DRAWING CONTAINS INFORMATION THAT IS PROPRIETARY TO MOLEX INCORPORATED AND SHOULD NOT BE USED WITHOUT WRITTEN PERMISSION						

12 CIRCUIT

MOLEX PART NO.	MOLEX HOUSING NO.	TERMINAL VOID POSITION	REMOVED POSITION KEYS	CONFIGURATION (SEE NOTE 1)	LATCH BETWEEN	POLARIZING RIB	ENDWALLS	COLOUR STRIPE
93385-4501	93049-2012	CKT 2	NONE	① ② ③ ④ ⑤ ⑥ ⑦ ⑧ ⑨ ⑩ ⑪ ⑫	CCT 1&3	NONE	OPEN	NONE
93385-4502	93049-4012	CKT 11	NONE	① ② ③ ④ ⑤ ⑥ ⑦ ⑧ ⑨ ⑩ ⑪ ⑫	CCT 10&12	NONE	OPEN	NONE
93385-4503	93049-6012	CKT 2, 11	NONE	① ② ③ ④ ⑤ ⑥ ⑦ ⑧ ⑨ ⑩ ⑪ ⑫	CCT 1&3 & CCT 10&12	NONE	OPEN	NONE

13 CIRCUIT

MOLEX PART NO.	MOLEX HOUSING NO.	TERMINAL VOID POSITION	REMOVED POSITION KEYS	CONFIGURATION (SEE NOTE 1)	LATCH BETWEEN	POLARIZING RIB	ENDWALLS	COLOUR STRIPE
93385-5001	93049-2013	CKT 2	NONE	① ② ③ ④ ⑤ ⑥ ⑦ ⑧ ⑨ ⑩ ⑪ ⑫ ⑬	CCT 1&3	NONE	OPEN	NONE
93385-5002	93049-4013	CKT 12	NONE	① ② ③ ④ ⑤ ⑥ ⑦ ⑧ ⑨ ⑩ ⑪ ⑫ ⑬	CCT 11&13	NONE	OPEN	NONE
93385-5003	93049-6013	CKT 2, 12	NONE	① ② ③ ④ ⑤ ⑥ ⑦ ⑧ ⑨ ⑩ ⑪ ⑫ ⑬	CCT 1&3 & CCT 11&13	NONE	OPEN	NONE

14 CIRCUIT

MOLEX PART NO.	MOLEX HOUSING NO.	TERMINAL VOID POSITION	REMOVED POSITION KEYS	CONFIGURATION (SEE NOTE 1)	LATCH BETWEEN	POLARIZING RIB	ENDWALLS	COLOUR STRIPE
93385-5501	93049-2014	CKT 2	NONE	① ② ③ ④ ⑤ ⑥ ⑦ ⑧ ⑨ ⑩ ⑪ ⑫ ⑬ ⑭	CCT 1&3	NONE	OPEN	NONE
93385-5502	93049-4014	CKT 13	NONE	① ② ③ ④ ⑤ ⑥ ⑦ ⑧ ⑨ ⑩ ⑪ ⑫ ⑬ ⑭	CCT 12&14	NONE	OPEN	NONE
93385-5503	93049-6014	CKT 2, 13	NONE	① ② ③ ④ ⑤ ⑥ ⑦ ⑧ ⑨ ⑩ ⑪ ⑫ ⑬ ⑭	CCT 1&3 & CCT 12&14	NONE	OPEN	NONE

15 CIRCUIT

MOLEX PART NO.	MOLEX HOUSING NO.	TERMINAL VOID POSITION	REMOVED POSITION KEYS	CONFIGURATION (SEE NOTE 1)	LATCH BETWEEN	POLARIZING RIB	ENDWALLS	COLOUR STRIPE
93385-6001	93049-2015	CKT 2	NONE	① ② ③ ④ ⑤ ⑥ ⑦ ⑧ ⑨ ⑩ ⑪ ⑫ ⑬ ⑭ ⑮	CCT 1&3	NONE	OPEN	NONE
93385-6002	93049-4015	CKT 14	NONE	① ② ③ ④ ⑤ ⑥ ⑦ ⑧ ⑨ ⑩ ⑪ ⑫ ⑬ ⑭ ⑮	CCT 13&15	NONE	OPEN	NONE
93385-6003	93049-6015	CKT 2, 14	NONE	① ② ③ ④ ⑤ ⑥ ⑦ ⑧ ⑨ ⑩ ⑪ ⑫ ⑬ ⑭ ⑮	CCT 1&3 & CCT 13&15	NONE	OPEN	NONE

16 CIRCUIT

MOLEX PART NO.	MOLEX HOUSING NO.	TERMINAL VOID POSITION	REMOVED POSITION KEYS	CONFIGURATION (SEE NOTE 1)	LATCH BETWEEN	POLARIZING RIB	ENDWALLS	COLOUR STRIPE
93385-6501	93049-2016	CKT 2	NONE	① ② ③ ④ ⑤ ⑥ ⑦ ⑧ ⑨ ⑩ ⑪ ⑫ ⑬ ⑭ ⑮ ⑯	CCT 1&3	NONE	OPEN	NONE
93385-6502	93049-4016	CKT 15	NONE	① ② ③ ④ ⑤ ⑥ ⑦ ⑧ ⑨ ⑩ ⑪ ⑫ ⑬ ⑭ ⑮ ⑯	CCT 14&16	NONE	OPEN	NONE
93385-6503	93049-6016	CKT 2, 15	NONE	① ② ③ ④ ⑤ ⑥ ⑦ ⑧ ⑨ ⑩ ⑪ ⑫ ⑬ ⑭ ⑮ ⑯	CCT 1&3 & CCT 14&16	NONE	OPEN	NONE

- NOTES
- + DENOTES TERMINAL VOIDED POSITION
 - DENOTES TERMINAL LOADED POSITION
 - | DENOTES POLARIZING RIB POSITION
 - DENOTES LATCH POSITION
 - PRESENCE OF LATCH IN ANY CIRCUIT AUTOMATICALLY DENOTES A TERMINAL VOID POSITION
 - MOLEX HOUSING NO. FOR REFERENCE ONLY

SEE SHEET 1 EC NO: IPG2013-118 2006/04/15 DRAWN BY: VANDI CHKD: VANDI APPR: SGR/FFN 2013/02/14	QUALITY SYMBOLS	GENERAL TOLERANCES (UNLESS SPECIFIED)	DIMENSION STYLE	SCALE	DESIGN UNITS	FIRST ANGLE PROJECTION
	▽=0	mm INCH	MM ONLY	5:1	METRIC	
	▽=0	4 PLACES ± --- ± ---	DRAWN BY DATE			TITLE
		3 PLACES ± 0.05 ± ---	SMCGREEVY 2011/12/15	CHECKED BY DATE		APPLI-MATE 2.5 FEMALE G.W.T. 750 VERSION INTERNAL LATCH
	2 PLACES ± 0.10 ± ---	APPROVED BY DATE			MATERIAL NO.	DOCUMENT NO.
	1 PLACE ± 0.2 ± ---	EFOLAN 2012/03/01			MOLEX	MOLEX INCORPORATED
	ANGULAR ± 1/2°				SD-93385-001	SHEET NO. 4 OF 4
	DRAFT WHERE APPLICABLE MUST REMAIN WITHIN DIMENSIONS	SEE CHARTS			THIS DRAWING CONTAINS INFORMATION THAT IS PROPRIETARY TO MOLEX INCORPORATED AND SHOULD NOT BE USED WITHOUT WRITTEN PERMISSION	