



Chipsmall Limited consists of a professional team with an average of over 10 year of expertise in the distribution of electronic components. Based in Hongkong, we have already established firm and mutual-benefit business relationships with customers from,Europe,America and south Asia,supplying obsolete and hard-to-find components to meet their specific needs.

With the principle of “Quality Parts,Customers Priority,Honest Operation,and Considerate Service”,our business mainly focus on the distribution of electronic components. Line cards we deal with include Microchip,ALPS,ROHM,Xilinx,Pulse,ON,Everlight and Freescale. Main products comprise IC,Modules,Potentiometer,IC Socket,Relay,Connector.Our parts cover such applications as commercial,industrial, and automotives areas.

We are looking forward to setting up business relationship with you and hope to provide you with the best service and solution. Let us make a better world for our industry!



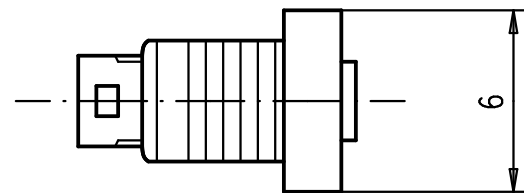
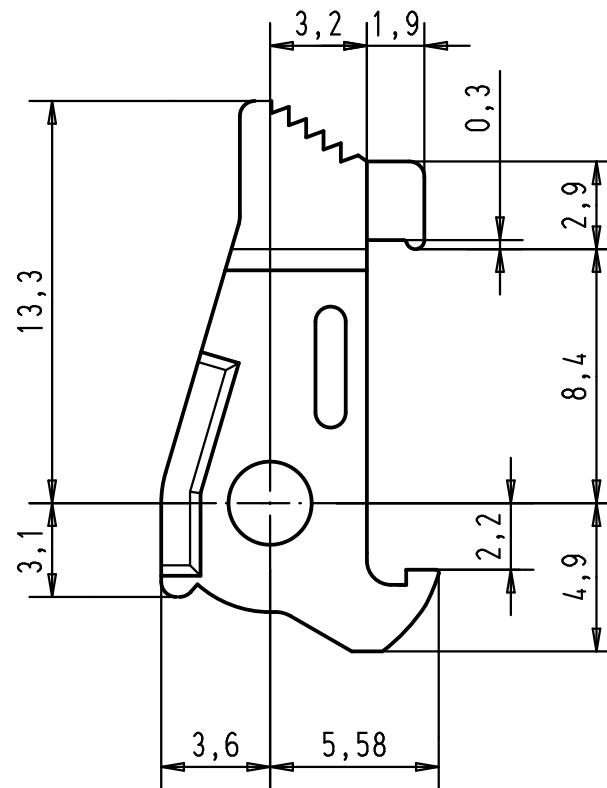
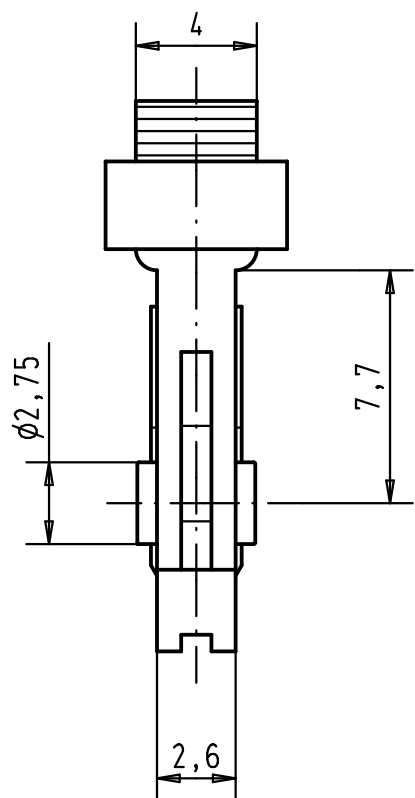
## Contact us

Tel: +86-755-8981 8866 Fax: +86-755-8427 6832



Email & Skype: info@chipsmall.com Web: www.chipsmall.com

Address: A1208, Overseas Decoration Building, #122 Zhenhua RD., Futian, Shenzhen, China





A

09 18 000 9904 581	Black lever, bulk packaging MOQ = 5000 pcs					Dat.	Name	 All Dim. in mm Orig. Size DIN A 4	SEK 18 short locking lever	Maßstab/ Scale
09 18 000 9904 001	Black lever				Detail.	01-FEB-00	JB			4 : 1
09 18 000 9904 58U	Std lever color, bulk packaging MOQ = 5000pcs				Insp.	09-FEB-11	JB			
09 18 000 9904	Standard lever color	36255	07-FEB-11	SC	Stand.				TB 09 18 000 9904	Blatt/ Page
Part number	Index designation	Mod.	Dat.	Name	HARTING F-95972 Paris					Sub.