



Chipsmall Limited consists of a professional team with an average of over 10 year of expertise in the distribution of electronic components. Based in Hongkong, we have already established firm and mutual-benefit business relationships with customers from,Europe,America and south Asia,supplying obsolete and hard-to-find components to meet their specific needs.

With the principle of “Quality Parts,Customers Priority,Honest Operation,and Considerate Service”,our business mainly focus on the distribution of electronic components. Line cards we deal with include Microchip,ALPS,ROHM,Xilinx,Pulse,ON,Everlight and Freescale. Main products comprise IC,Modules,Potentiometer,IC Socket,Relay,Connector.Our parts cover such applications as commercial,industrial, and automotives areas.

We are looking forward to setting up business relationship with you and hope to provide you with the best service and solution. Let us make a better world for our industry!



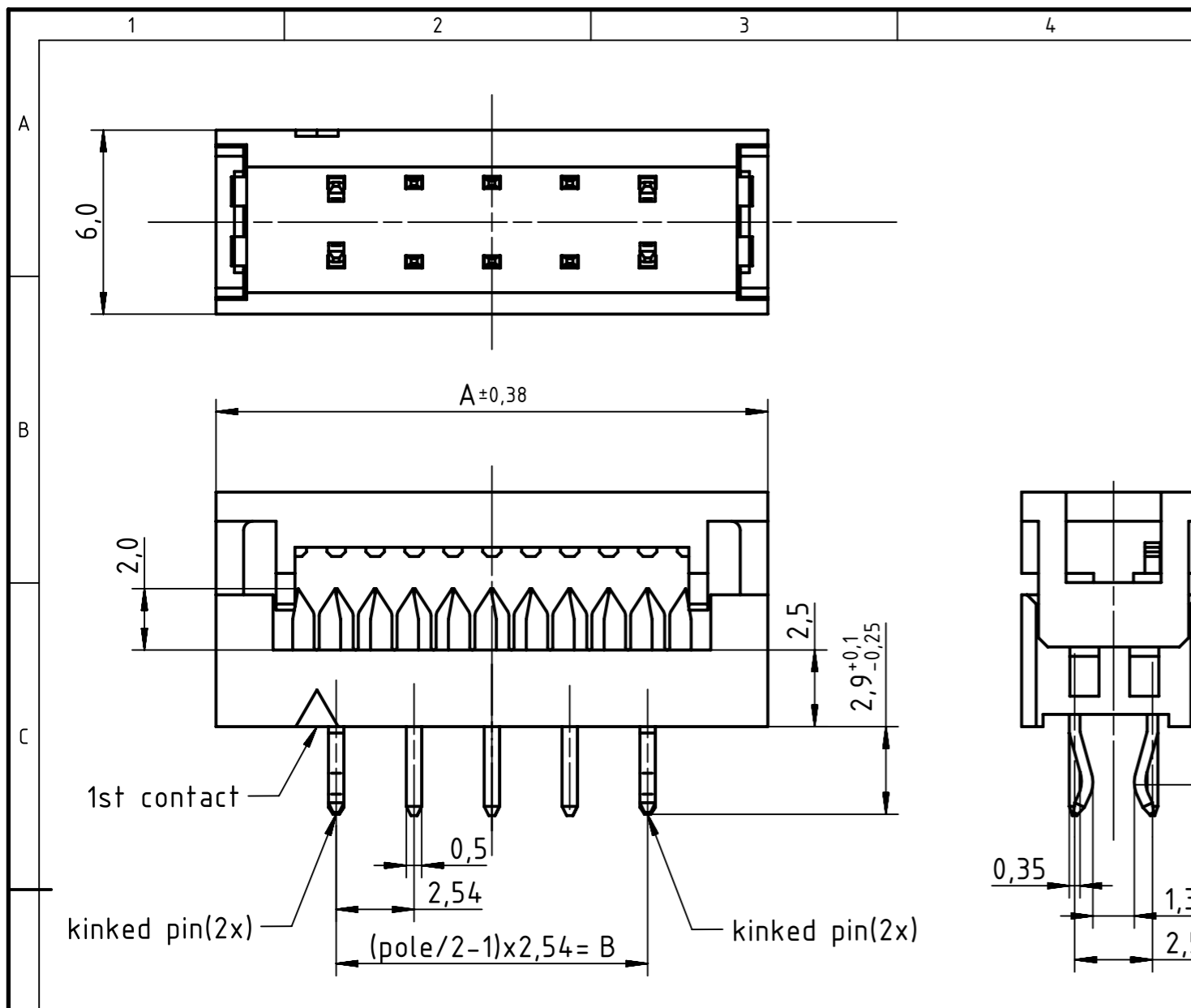
Contact us

Tel: +86-755-8981 8866 Fax: +86-755-8427 6832

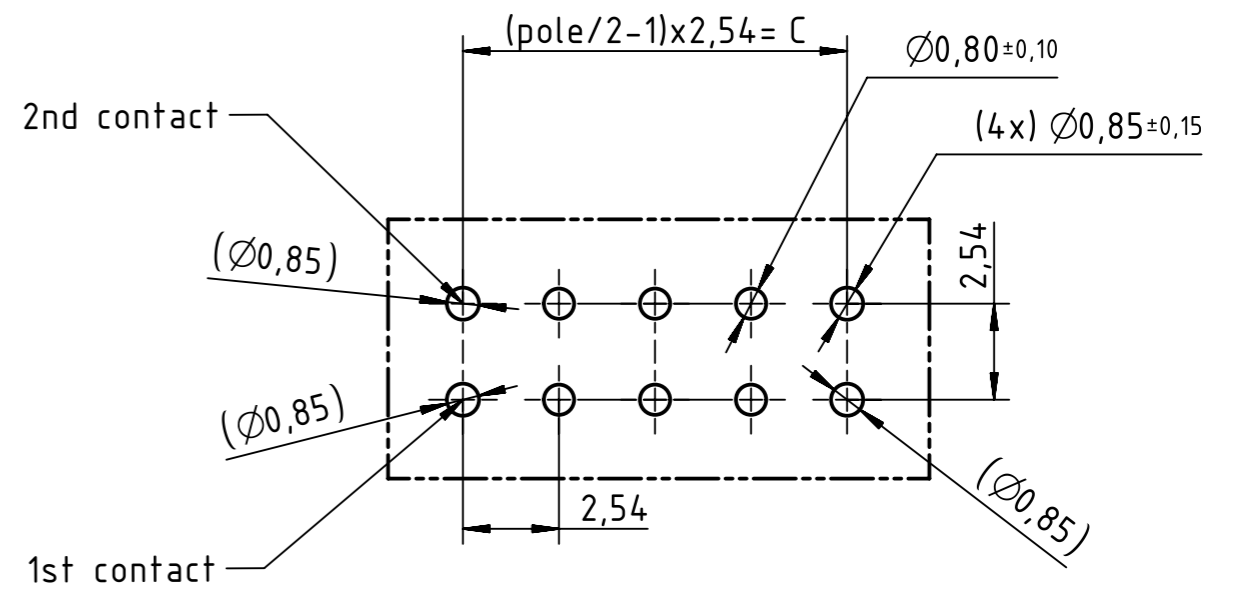
Email & Skype: info@chipsmall.com Web: www.chipsmall.com

Address: A1208, Overseas Decoration Building, #122 Zhenhua RD., Futian, Shenzhen, China



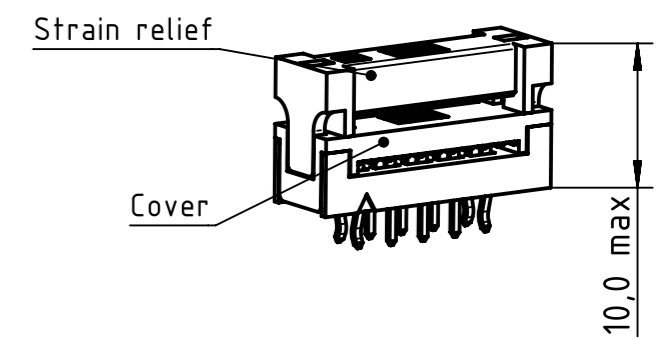
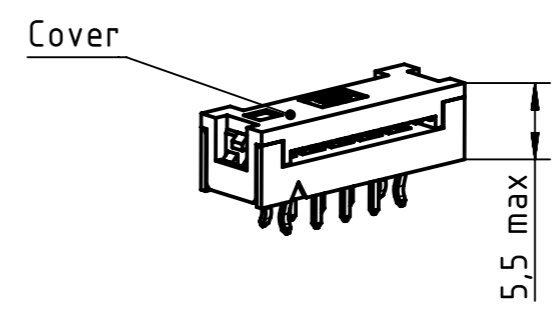


PCB layout, component side



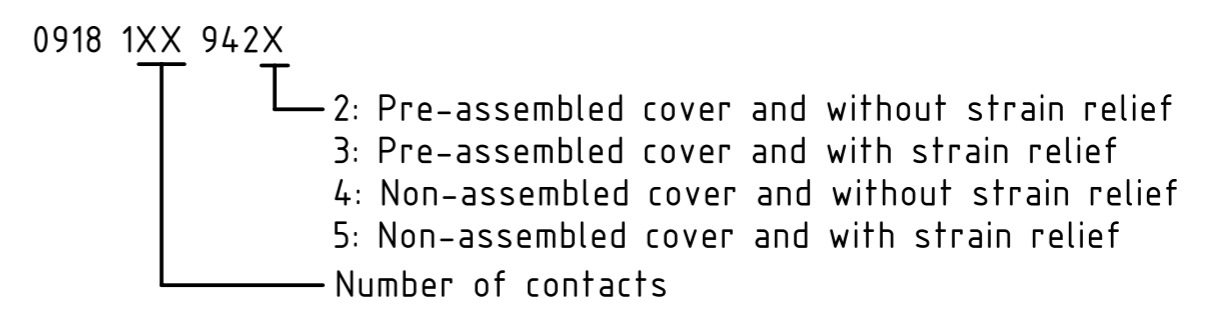
Assembled cover without strain relief

Assembled cover with strain relief



Number of contacts	Part Number	Dim A	Dim B	Dim C	Packing quantity
4	0918 104 942X	10,38	2,54	2,54	100pcs/packing
6	0918 106 942X	12,92	5,08	5,08	
8	0918 108 942X	15,46	7,62	7,62	
10	0918 110 942X	18,00	10,16	10,16	
14	0918 114 942X	23,08	15,24	15,24	
16	0918 116 942X	25,62	17,78	17,78	
20	0918 120 942X	30,70	22,86	22,86	
24	0918 124 942X	35,78	27,94	27,94	
26	0918 126 942X	38,32	30,48	30,48	
30	0918 130 942X	43,40	35,56	35,56	
34	0918 134 942X	48,48	40,64	40,64	50pcs/packing
40	0918 140 942X	56,10	48,26	48,26	
50	0918 150 942X	68,80	60,96	60,96	
60	0918 160 942X	81,50	73,66	73,66	
64	0918 164 942X	86,58	78,74	78,74	

Numbering system:



Note: strain relief can be ordered separately: P/N 0918 1XX 9002.
 technical information available on a separate document ref. : DS 09185100600.

	All rights reserved	Created by	Inspected by	Standardisation	Date	State
	Department EC PD - CN	SHENGJ	WANGSTE	HOFFMANN	2013-12-19	Final Release
HARTING Electronics GmbH		Title			Doc-Key / ECM-Nr.	
D-32339 Espelkamp		SEK 2rows kinked pin assembly			100540140/UGD/000/B	
		Type	Number	Rev.		Page
		TB	09181XX942X	B		1/1