



Chipsmall Limited consists of a professional team with an average of over 10 year of expertise in the distribution of electronic components. Based in Hongkong, we have already established firm and mutual-benefit business relationships with customers from,Europe,America and south Asia,supplying obsolete and hard-to-find components to meet their specific needs.

With the principle of "Quality Parts,Customers Priority,Honest Operation,and Considerate Service",our business mainly focus on the distribution of electronic components. Line cards we deal with include Microchip,ALPS,ROHM,Xilinx,Pulse,ON,Everlight and Freescale. Main products comprise IC,Modules,Potentiometer,IC Socket,Relay,Connector.Our parts cover such applications as commercial,industrial, and automotives areas.

We are looking forward to setting up business relationship with you and hope to provide you with the best service and solution. Let us make a better world for our industry!



Contact us

Tel: +86-755-8981 8866 Fax: +86-755-8427 6832

Email & Skype: info@chipsmall.com Web: www.chipsmall.com

Address: A1208, Overseas Decoration Building, #122 Zhenhua RD., Futian, Shenzhen, China



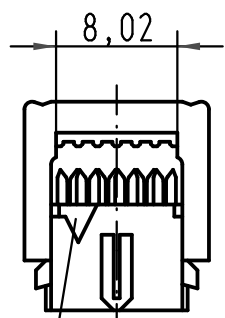
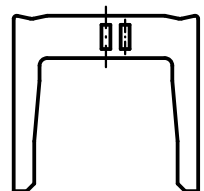
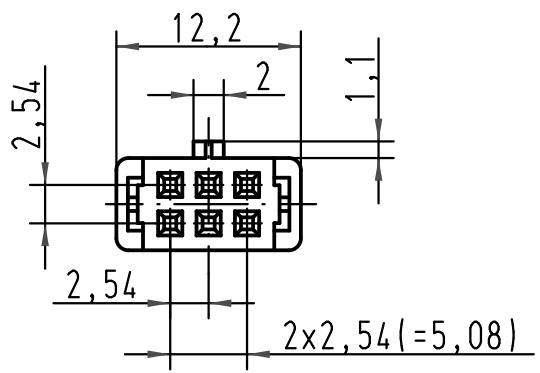
5

4

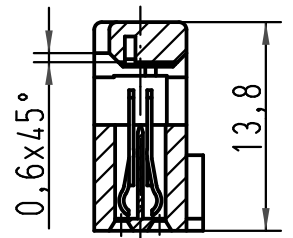
3

2

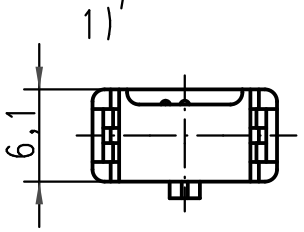
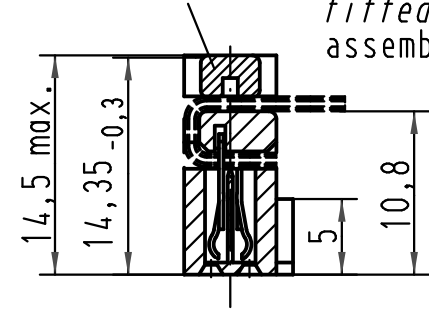
1



vorverrastet
pre assembled
preassemble



strain relief verrastet
fitted
assemble



- 1) Markierung erster Kontakt, Ader 1 des Flachkabels
- 1) Contact no.1, 1st wire of flat cable
- 1) Contact no.1, repère 1 du câble

A	09 18 506 5813 58U	0,76 μm Au	Bulk packaging MOQ = 3000 pcs		All Dimensions in mm Original Size DIN A 4			Techn. Character.		Nicht tolerierte Maß/Free size tolerances	
	09 18 506 6813 58U	2									
	09 18 506 7813 58U	3									
	09 18 506 5813	0,76 μm Au	N.A.							SEK 18 Female connector 6 poles with central polarisation without cable stop with strain relief	
	09 18 506 6813	2	N.A.								
	09 18 506 7813	3	N.A.								
Bestell-Nr. Part-No. Reference	Anforderungsstufe performance level Niveau de qualite	Index Designation	36265 26570 Mod.	30-SEP-11 01-FEB-00 Dat.	BH JB Name	HARTING EURL F-95972 Paris			TB 0918506X813	Blatt/ page 1/1	