



Chipsmall Limited consists of a professional team with an average of over 10 year of expertise in the distribution of electronic components. Based in Hongkong, we have already established firm and mutual-benefit business relationships with customers from,Europe,America and south Asia,supplying obsolete and hard-to-find components to meet their specific needs.

With the principle of “Quality Parts,Customers Priority,Honest Operation,and Considerate Service”,our business mainly focus on the distribution of electronic components. Line cards we deal with include Microchip,ALPS,ROHM,Xilinx,Pulse,ON,Everlight and Freescale. Main products comprise IC,Modules,Potentiometer,IC Socket,Relay,Connector.Our parts cover such applications as commercial,industrial, and automotives areas.

We are looking forward to setting up business relationship with you and hope to provide you with the best service and solution. Let us make a better world for our industry!



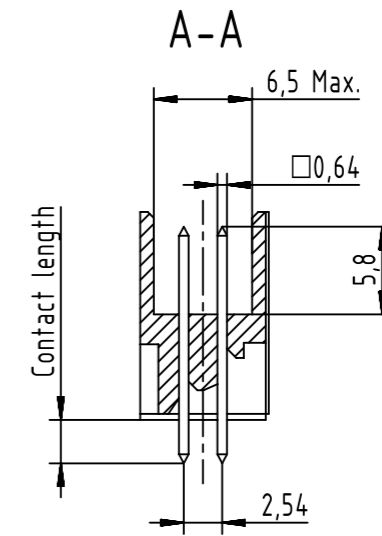
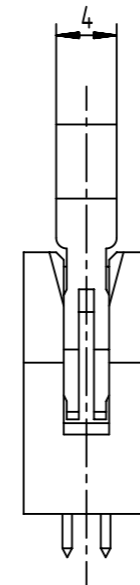
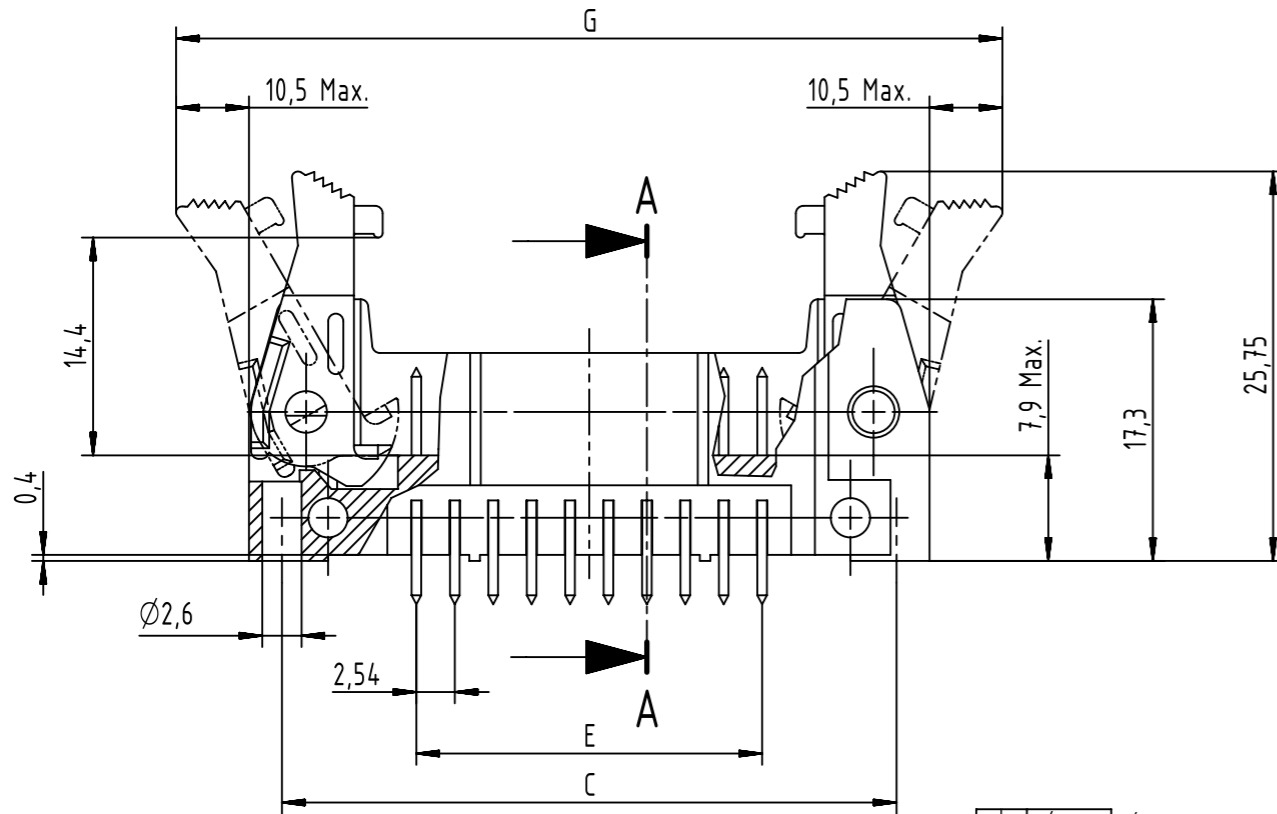
## Contact us

Tel: +86-755-8981 8866 Fax: +86-755-8427 6832

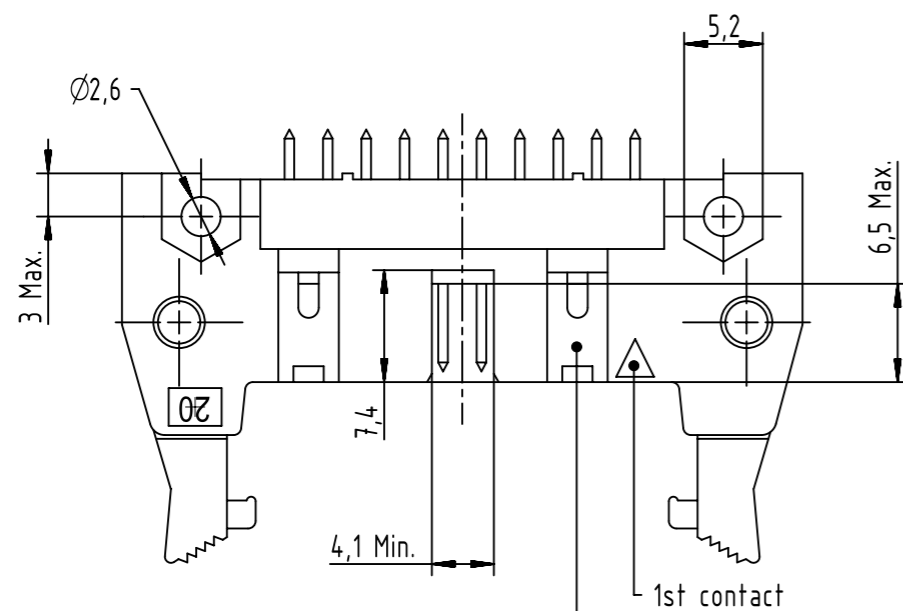
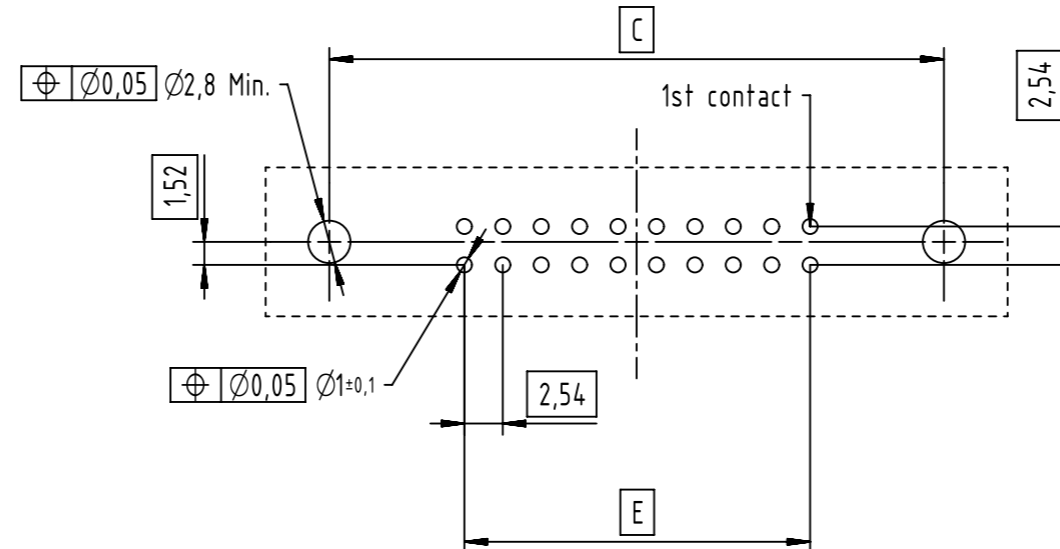
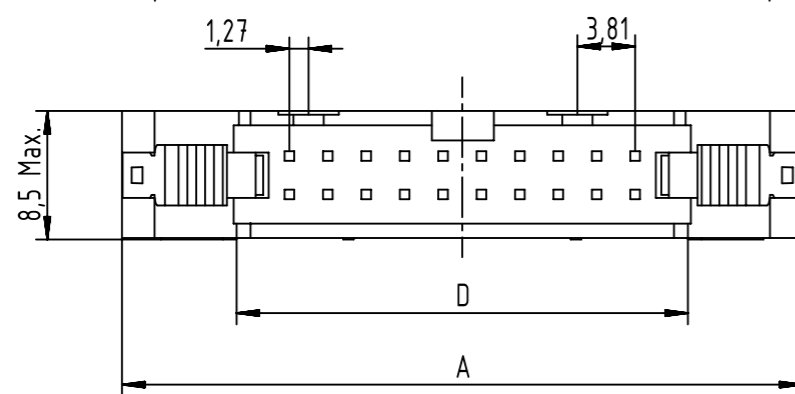
Email & Skype: info@chipsmall.com Web: www.chipsmall.com

Address: A1208, Overseas Decoration Building, #122 Zhenhua RD., Futian, Shenzhen, China





PC-Board layout  
view component side



See tables for coding  
feature arrangement and style

Coding style table

	Style A: For connector 6 poles
	Style B: For connectors from 10 to 14 poles
	Style C: For connectors from 16 to 64 poles

Find further technical information on drawing DS 09181200001

	All Dimensions in mm Original Size DIN A3	Scale 2:1	Free size tol.	Ref.	
	All rights reserved Department EC PD - FR	Created by DOUGE	Inspected by BAGDIKIAN	Standardisation HOFFMANN	Date 2013-11-07
HARTING Electronics GmbH D-32339 Espelkamp		Title SEK 18 male STD straight with long levers			State Final Release
		Type TB	Number 09185XXX90X	Doc-Key / ECM-Nr. 100553089/UGD/001/A 50000067147	Rev. A Page 1/2

		Performance Level					Dimensions (mm)				
		PL3 : 50 mating Cycles No Gas Test	PL2 : 250 mating Cycles 4 day Gas Test	S4 : 0,76µm Au or equivalent PdNi							
Nb of Contacts	Part Number	Part Number	Part Number	Insulator Color	Contact Length ±0,3(mm)	A Max	C	D	E	G	
06	0918 506 7904	0918 506 6904	0918 506 5904	Grey	2,9	27,2	22,86	12,45	2,54 x 2 = 5,08	40,3	
10	0918 510 7904	0918 510 6904	0918 510 5904			32,3	27,94	17,53	2,54 x 4 = 10,16	45,4	
14	0918 514 7904	0918 514 6904	0918 514 5904			37,4	33,02	22,61	2,54 x 6 = 15,24	50,4	
16	0918 516 7904	0918 516 6904	0918 516 5904			39,9	35,56	25,15	2,54 x 7 = 17,78	53,0	
20	0918 520 7904	0918 520 6904	0918 520 5904			45,0	40,64	30,23	2,54 x 9 = 22,86	58,1	
24	0918 524 7904	0918 524 6904	0918 524 5904			50,1	45,72	35,91	2,54 x 11 = 27,94	63,2	
26	0918 526 7904	0918 526 6904	0918 526 5904			52,6	48,26	37,85	2,54 x 12 = 30,48	65,7	
30	0918 530 7904	0918 530 6904	0918 530 5904			58,0	53,34	43,83	2,54 x 14 = 35,56	68,6	
34	0918 534 7904	0918 534 6904	0918 534 5904			62,8	58,42	48,01	2,54 x 16 = 40,64	75,8	
40	0918 540 7904	0918 540 6904	0918 540 5904			70,4	66,04	55,63	2,54 x 19 = 48,26	83,5	
50	0918 550 7904	0918 550 6904	0918 550 5904			83,1	78,74	68,33	2,54 x 24 = 60,96	96,2	
60	0918 560 7904	0918 560 6904	0918 560 5904			95,8	91,44	81,03	2,54 x 29 = 73,66	108,9	
64	0918 564 7904	0918 564 6904	0918 564 5904			100,9	96,52	86,11	2,54 x 31 = 78,74	113,9	
06	0918 506 7904 001	0918 506 6904 001	0918 506 5904 001			Black	2,9	27,2	22,86	12,45	2,54 x 2 = 5,08
10	0918 510 7904 001	0918 510 6904 001	0918 510 5904 001	32,3	27,94			17,53	2,54 x 4 = 10,16	45,4	
14	0918 514 7904 001	0918 514 6904 001	0918 514 5904 001	37,4	33,02			22,61	2,54 x 6 = 15,24	50,4	
16	0918 516 7904 001	0918 516 6904 001	0918 516 5904 001	39,9	35,56			25,15	2,54 x 7 = 17,78	53,0	
20	0918 520 7904 001	0918 520 6904 001	0918 520 5904 001	45,0	40,64			30,23	2,54 x 9 = 22,86	58,1	
24	0918 524 7904 001	0918 524 6904 001	0918 524 5904 001	50,1	45,72			35,91	2,54 x 11 = 27,94	63,2	
26	0918 526 7904 001	0918 526 6904 001	0918 526 5904 001	52,6	48,26			37,85	2,54 x 12 = 30,48	65,7	
30	0918 530 7904 001	0918 530 6904 001	0918 530 5904 001	58,0	53,34			43,83	2,54 x 14 = 35,56	68,6	
34	0918 534 7904 001	0918 534 6904 001	0918 534 5904 001	62,8	58,42			48,01	2,54 x 16 = 40,64	75,8	
40	0918 540 7904 001	0918 540 6904 001	0918 540 5904 001	70,4	66,04			55,63	2,54 x 19 = 48,26	83,5	
50	0918 550 7904 001	0918 550 6904 001	0918 550 5904 001	83,1	78,74			68,33	2,54 x 24 = 60,96	96,2	
60	0918 560 7904 001	0918 560 6904 001	0918 560 5904 001	95,8	91,44			81,03	2,54 x 29 = 73,66	108,9	
64	0918 564 7904 001	0918 564 6904 001	0918 564 5904 001	100,9	96,52			86,11	2,54 x 31 = 78,74	113,9	
06	0918 506 7902	0918 506 6902	0918 506 5902	Grey	4,5			27,2	22,86	12,45	2,54 x 2 = 5,08
10	0918 510 7902	0918 510 6902	0918 510 5902			32,3	27,94	17,53	2,54 x 4 = 10,16	45,4	
14	0918 514 7902	0918 514 6902	0918 514 5902			37,4	33,02	22,61	2,54 x 6 = 15,24	50,4	
16	0918 516 7902	0918 516 6902	0918 516 5902			39,9	35,56	25,15	2,54 x 7 = 17,78	53,0	
20	0918 520 7902	0918 520 6902	0918 520 5902			45,0	40,64	30,23	2,54 x 9 = 22,86	58,1	
24	0918 524 7902	0918 524 6902	0918 524 5902			50,1	45,72	35,91	2,54 x 11 = 27,94	63,2	
26	0918 526 7902	0918 526 6902	0918 526 5902			52,6	48,26	37,85	2,54 x 12 = 30,48	65,7	
30	0918 530 7902	0918 530 6902	0918 530 5902			58,0	53,34	43,83	2,54 x 14 = 35,56	68,6	
34	0918 534 7902	0918 534 6902	0918 534 5902			62,8	58,42	48,01	2,54 x 16 = 40,64	75,8	
40	0918 540 7902	0918 540 6902	0918 540 5902			70,4	66,04	55,63	2,54 x 19 = 48,26	83,5	
50	0918 550 7902	0918 550 6902	0918 550 5902			83,1	78,74	68,33	2,54 x 24 = 60,96	96,2	
60	0918 560 7902	0918 560 6902	0918 560 5902			95,8	91,44	81,03	2,54 x 29 = 73,66	108,9	
64	0918 564 7902	0918 564 6902	0918 564 5902			100,9	96,52	86,11	2,54 x 31 = 78,74	113,9	
06	0918 506 7902 001	0918 506 6902 001	0918 506 5902 001			Black	4,5	27,2	22,86	12,45	2,54 x 2 = 5,08
10	0918 510 7902 001	0918 510 6902 001	0918 510 5902 001	32,3	27,94			17,53	2,54 x 4 = 10,16	45,4	
14	0918 514 7902 001	0918 514 6902 001	0918 514 5902 001	37,4	33,02			22,61	2,54 x 6 = 15,24	50,4	
16	0918 516 7902 001	0918 516 6902 001	0918 516 5902 001	39,9	35,56			25,15	2,54 x 7 = 17,78	53,0	
20	0918 520 7902 001	0918 520 6902 001	0918 520 5902 001	45,0	40,64			30,23	2,54 x 9 = 22,86	58,1	
24	0918 524 7902 001	0918 524 6902 001	0918 524 5902 001	50,1	45,72			35,91	2,54 x 11 = 27,94	63,2	
26	0918 526 7902 001	0918 526 6902 001	0918 526 5902 001	52,6	48,26			37,85	2,54 x 12 = 30,48	65,7	
30	0918 530 7902 001	0918 530 6902 001	0918 530 5902 001	58,0	53,34			43,83	2,54 x 14 = 35,56	68,6	
34	0918 534 7902 001	0918 534 6902 001	0918 534 5902 001	62,8	58,42			48,01	2,54 x 16 = 40,64	75,8	
40	0918 540 7902 001	0918 540 6902 001	0918 540 5902 001	70,4	66,04			55,63	2,54 x 19 = 48,26	83,5	
50	0918 550 7902 001	0918 550 6902 001	0918 550 5902 001	83,1	78,74			68,33	2,54 x 24 = 60,96	96,2	
60	0918 560 7902 001	0918 560 6902 001	0918 560 5902 001	95,8	91,44			81,03	2,54 x 29 = 73,66	108,9	
64	0918 564 7902 001	0918 564 6902 001	0918 564 5902 001	100,9	96,52			86,11	2,54 x 31 = 78,74	113,9	

	All Dimensions in mm Original Size DIN A3	Scale 2:1	Free size tol.	Ref.		
				Sub.		
	All rights reserved	Created by DOUGE	Inspected by BAGDIKIAN	Standardisation HOFFMANN	Date 2013-11-07	State Final Release
	Department EC PD - FR	Title SEK 18 male STD straight with long levers			Doc-Key / ECM-Nr. 100553089/UGD/001/A 50000067147	
HARTING Electronics GmbH D-32339 Espelkamp	Type TB	Number 09185XXX90X		Rev. A	Page 2/2	