



Chipsmall Limited consists of a professional team with an average of over 10 year of expertise in the distribution of electronic components. Based in Hongkong, we have already established firm and mutual-benefit business relationships with customers from,Europe,America and south Asia,supplying obsolete and hard-to-find components to meet their specific needs.

With the principle of “Quality Parts,Customers Priority,Honest Operation,and Considerate Service”,our business mainly focus on the distribution of electronic components. Line cards we deal with include Microchip,ALPS,ROHM,Xilinx,Pulse,ON,Everlight and Freescale. Main products comprise IC,Modules,Potentiometer,IC Socket,Relay,Connector.Our parts cover such applications as commercial,industrial, and automotives areas.

We are looking forward to setting up business relationship with you and hope to provide you with the best service and solution. Let us make a better world for our industry!



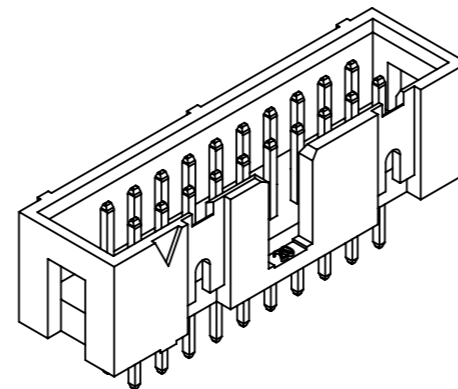
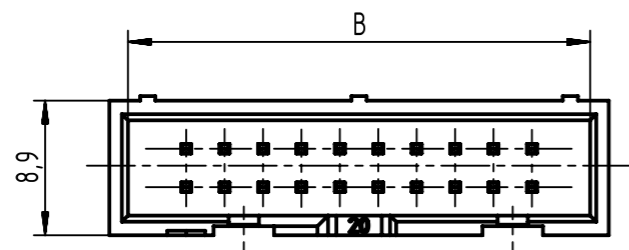
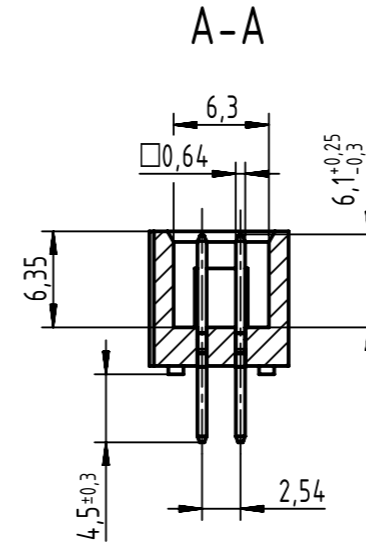
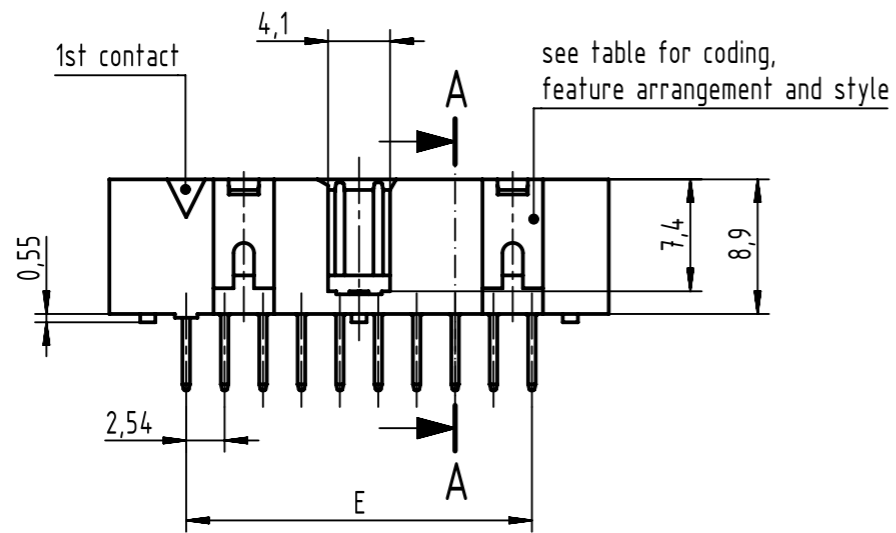
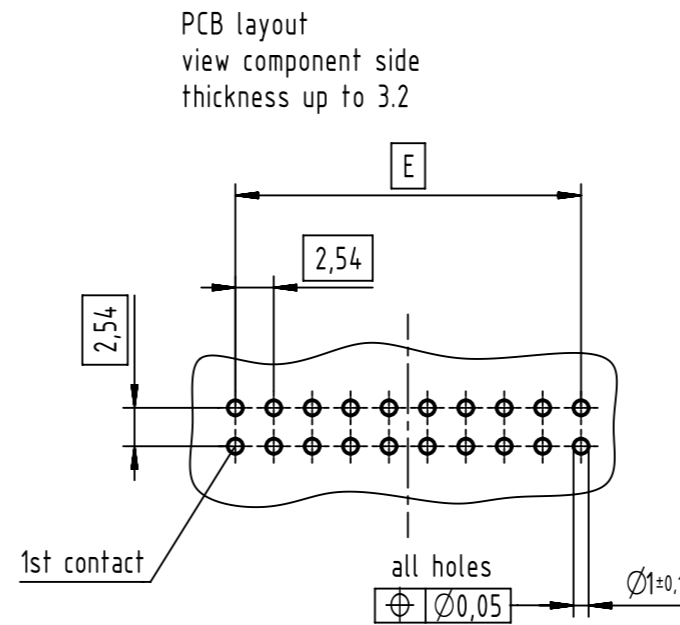
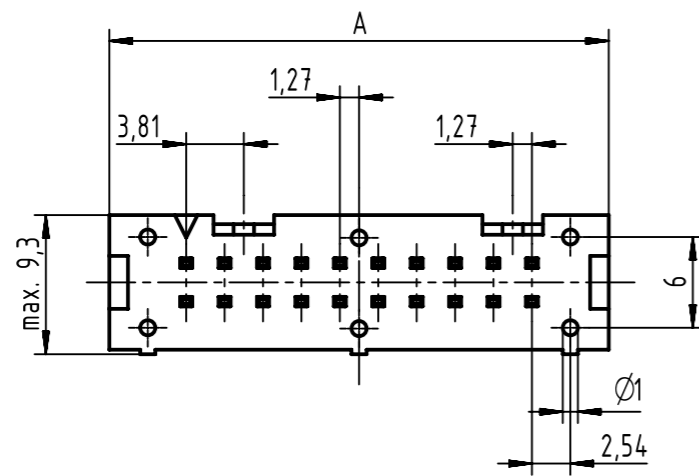
Contact us

Tel: +86-755-8981 8866 Fax: +86-755-8427 6832

Email & Skype: info@chipsmall.com Web: www.chipsmall.com

Address: A1208, Overseas Decoration Building, #122 Zhenhua RD., Futian, Shenzhen, China






coding style table	
	style A: for connectors 6-pole
	style B: for connectors from 10 to 14-pole
	style C: for connectors from 16 to 64-pole

further more information
see DS 09181100001

full range of P/N's and
dimensions shown on page 2/2

	All rights reserved Department EC PD - DE	Created by STORCK	Inspected by LEHNERT	Standardisation HOFFMANN	Date 2015-12-07	State Final Release	Ref. Sub. TB 09185XXX322 / 50000068837 / 2014-05-16
	HARTING Electronics GmbH D-32339 Espelkamp	Title SEK 18 male low profile straight solder 4.5			Type TB	Number 09185XXX322	Doc-Key / ECM-Nr. 100154466/UGD/006/A 50000094890
						Rev. A	Page 1/2

no. of contacts	performance level			insulator colour	dimensions			
	PL3	PL2	S4		A max.	B	E	
	part number	part number	part number					
06	09 18 506 7322	09 18 506 6322	09 18 506 5322	grey	15,4	12,78	2,54 x 2 = 5,08	
10	09 18 510 7322	09 18 510 6322	09 18 510 5322		20,5	17,86	2,54 x 4 = 10,16	
14	09 18 514 7322	09 18 514 6322	09 18 514 5322		25,6	22,94	2,54 x 6 = 15,24	
16	09 18 516 7322	09 18 516 6322	09 18 516 5322		28,1	25,48	2,54 x 7 = 17,78	
20	09 18 520 7322	09 18 520 6322	09 18 520 5322		33,2	30,56	2,54 x 9 = 22,86	
26	09 18 526 7322	09 18 526 6322	09 18 526 5322		40,8	38,18	2,54 x 12 = 30,48	
30	09 18 530 7322	09 18 530 6322	09 18 530 5322		45,9	43,26	2,54 x 14 = 35,56	
34	09 18 534 7322	09 18 534 6322	09 18 534 5322		51,0	48,34	2,54 x 16 = 40,64	
40	09 18 540 7322	09 18 540 6322	09 18 540 5322		58,6	55,96	2,54 x 19 = 48,26	
50	09 18 550 7322	09 18 550 6322	09 18 550 5322		71,5	68,66	2,54 x 24 = 60,96	
60	09 18 560 7322	09 18 560 6322	09 18 560 5322		84,2	81,36	2,54 x 29 = 73,66	
64	09 18 564 7322	09 18 564 6322	09 18 564 5322		89,3	86,44	2,54 x 31 = 78,74	
06	09 18 506 7322 001	09 18 506 6322 001	09 18 506 5322 001		black	15,4	12,78	2,54 x 2 = 5,08
10	09 18 510 7322 001	09 18 510 6322 001	09 18 510 5322 001			20,5	17,86	2,54 x 4 = 10,16
14	09 18 514 7322 001	09 18 514 6322 001	09 18 514 5322 001	25,6		22,94	2,54 x 6 = 15,24	
16	09 18 516 7322 001	09 18 516 6322 001	09 18 516 5322 001	28,1		25,48	2,54 x 7 = 17,78	
20	09 18 520 7322 001	09 18 520 6322 001	09 18 520 5322 001	33,2		30,56	2,54 x 9 = 22,86	
26	09 18 526 7322 001	09 18 526 6322 001	09 18 526 5322 001	40,8		38,18	2,54 x 12 = 30,48	
30	09 18 530 7322 001	09 18 530 6322 001	09 18 530 5322 001	45,9		43,26	2,54 x 14 = 35,56	
34	09 18 534 7322 001	09 18 534 6322 001	09 18 534 5322 001	51,0		48,34	2,54 x 16 = 40,64	
40	09 18 540 7322 001	09 18 540 6322 001	09 18 540 5322 001	58,6		55,96	2,54 x 19 = 48,26	
50	09 18 550 7322 001	09 18 550 6322 001	09 18 550 5322 001	71,5		68,66	2,54 x 24 = 60,96	
60	09 18 560 7322 001	09 18 560 6322 001	09 18 560 5322 001	84,2		81,36	2,54 x 29 = 73,66	
64	09 18 564 7322 001	09 18 564 6322 001	09 18 564 5322 001	89,3		86,44	2,54 x 31 = 78,74	

	All Dimensions in mm Original Size DIN A3	Scale 1:1	Free size tol.	Ref. Sub. TB 09185XXX322 / 50000068837 / 2014-05-16	
	All rights reserved Department EC PD - DE	Created by STORCK	Inspected by LEHNERT	Standardisation HOFFMANN	Date 2015-12-07
HARTING Electronics GmbH D-32339 Espelkamp		Title SEK 18 male low profile straight solder 4.5			Doc-Key / ECM-Nr. 100154466/UGD/006/A 50000094890
		Type TB	Number 09185XXX322	Rev. A	Page 2/2