



Chipsmall Limited consists of a professional team with an average of over 10 year of expertise in the distribution of electronic components. Based in Hongkong, we have already established firm and mutual-benefit business relationships with customers from,Europe,America and south Asia,supplying obsolete and hard-to-find components to meet their specific needs.

With the principle of "Quality Parts,Customers Priority,Honest Operation,and Considerate Service",our business mainly focus on the distribution of electronic components. Line cards we deal with include Microchip,ALPS,ROHM,Xilinx,Pulse,ON,Everlight and Freescale. Main products comprise IC,Modules,Potentiometer,IC Socket,Relay,Connector.Our parts cover such applications as commercial,industrial, and automotives areas.

We are looking forward to setting up business relationship with you and hope to provide you with the best service and solution. Let us make a better world for our industry!



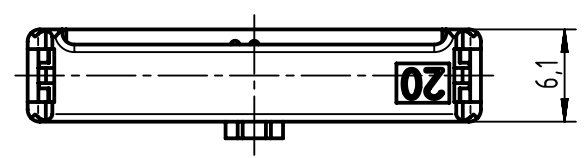
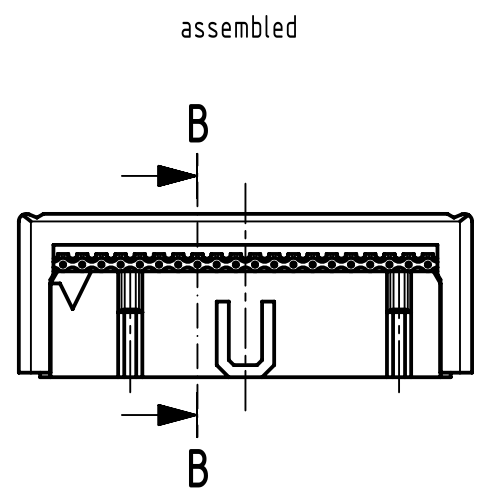
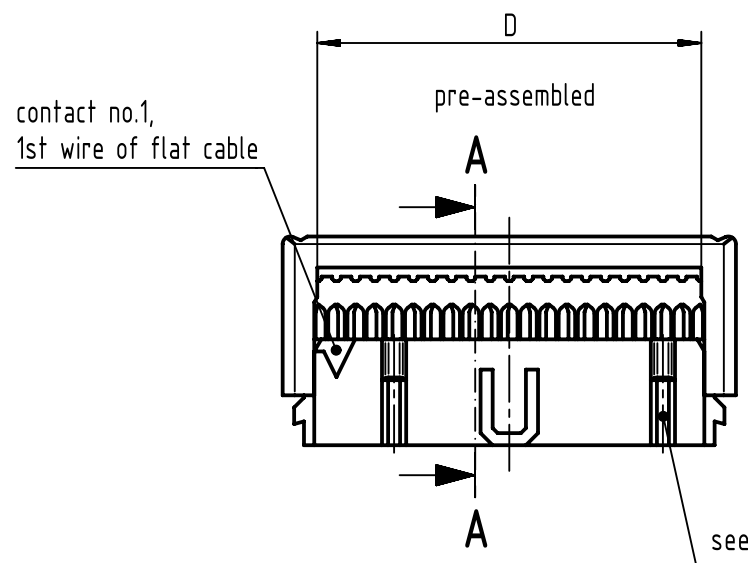
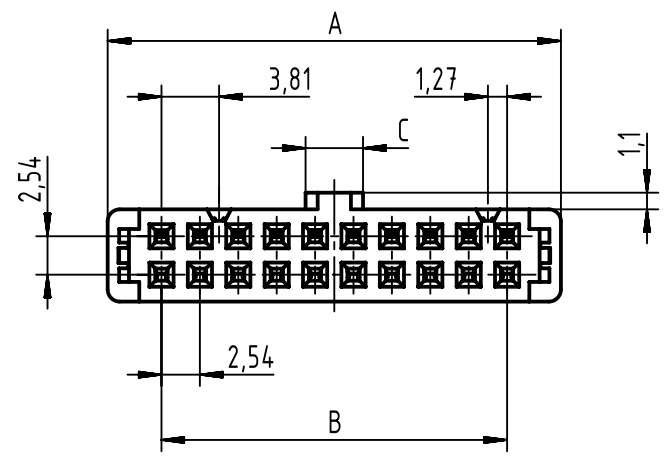
Contact us

Tel: +86-755-8981 8866 Fax: +86-755-8427 6832

Email & Skype: info@chipsmall.com Web: www.chipsmall.com

Address: A1208, Overseas Decoration Building, #122 Zhenhua RD., Futian, Shenzhen, China

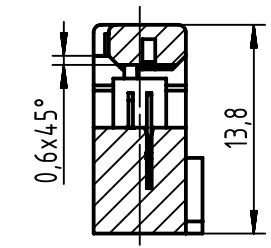




see table for coding, feature arrangement and style

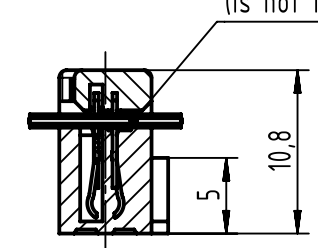
pre-assembled

A-A



assembled

B-B



flat cable
AWG 26/7 - 28/7
(is not in scope of delivery)

coding style table

	style A: for connectors 6-pole
	style B: for connectors from 10 to 14-pole
	style C: for connectors from 16 to 64-pole

further information see: DS 09182100600

	All rights reserved Department EC PD - DE	Created by STORCK	Inspected by LEHNERT	Standardisation HOFFMANN	Date 2016-04-05	State Final Release
	HARTING Electronics GmbH D-32339 Espelkamp	Title SEK 18 female connector with open end cover			Doc-Key / ECM-Nr. 100662934/UGD/001/A 50000099698	
		Type TB	Number 09185XXX803		Rev. A	Page 1/2

1	2		3	4	5	6	7	8			
A	performance level										
	no. of contacts	PL3	PL2	S4	insulator colour	remark	quantity	dimensions			
	part number	part number	part number	A max.	B	C	D				
B	06	09 18 506 7803	09 18 506 6803	09 18 506 5803	grey	-		12,2	2 x 2,54 (=5,08)	2	8,02
	10	09 18 510 7803	09 18 510 6803	09 18 510 5803				17,3	4 x 2,54 (=10,16)	3,8	13,1
	14	09 18 514 7803	09 18 514 6803	09 18 514 5803				22,4	6 x 2,54 (=15,24)	3,8	18,18
	16	09 18 516 7803	09 18 516 6803	09 18 516 5803				24,9	7 x 2,54 (=17,78)	3,8	20,72
	20	09 18 520 7803	09 18 520 6803	09 18 520 5803				30	9 x 2,54 (=22,86)	3,8	25,8
	26	09 18 526 7803	09 18 526 6803	09 18 526 5803				37,6	12 x 2,54 (=30,48)	3,8	33,42
	30	09 18 530 7803	09 18 530 6803	09 18 530 5803				42,7	14 x 2,54 (=35,56)	3,8	38,56
	34	09 18 534 7803	09 18 534 6803	09 18 534 5803				47,8	16 x 2,54 (=40,64)	3,8	43,58
	40	09 18 540 7803	09 18 540 6803	09 18 540 5803				55,4	19 x 2,54 (=48,26)	3,8	51,2
	50	09 18 550 7803	09 18 550 6803	09 18 550 5803				68,1	24 x 2,54 (=60,96)	3,8	63,9
	60	09 18 560 7803	09 18 560 6803	09 18 560 5803				80,8	29 x 2,54 (=73,66)	3,8	76,6
	64	09 18 564 7803	09 18 564 6803	09 18 564 5803				85,9	31 x 2,54 (=78,74)	3,8	81,68
C	06	09 18 506 7803 001	09 18 506 6803 001	09 18 506 5803 001	black	-		12,2	2 x 2,54 (=5,08)	2	8,02
	10	09 18 510 7803 001	09 18 510 6803 001	09 18 510 5803 001				17,3	4 x 2,54 (=10,16)	3,8	13,1
	14	09 18 514 7803 001	09 18 514 6803 001	09 18 514 5803 001				22,4	6 x 2,54 (=15,24)	3,8	18,18
	16	09 18 516 7803 001	09 18 516 6803 001	09 18 516 5803 001				24,9	7 x 2,54 (=17,78)	3,8	20,72
	20	09 18 520 7803 001	09 18 520 6803 001	09 18 520 5803 001				30	9 x 2,54 (=22,86)	3,8	25,8
	26	09 18 526 7803 001	09 18 526 6803 001	09 18 526 5803 001				37,6	12 x 2,54 (=30,48)	3,8	33,42
	30	09 18 530 7803 001	09 18 530 6803 001	09 18 530 5803 001				42,7	14 x 2,54 (=35,56)	3,8	38,56
	34	09 18 534 7803 001	09 18 534 6803 001	09 18 534 5803 001				47,8	16 x 2,54 (=40,64)	3,8	43,58
	40	09 18 540 7803 001	09 18 540 6803 001	09 18 540 5803 001				55,4	19 x 2,54 (=48,26)	3,8	51,2
	50	09 18 550 7803 001	09 18 550 6803 001	09 18 550 5803 001				68,1	24 x 2,54 (=60,96)	3,8	63,9
	60	09 18 560 7803 001	09 18 560 6803 001	09 18 560 5803 001				80,8	29 x 2,54 (=73,66)	3,8	76,6
	64	09 18 564 7803 001	09 18 564 6803 001	09 18 564 5803 001				85,9	31 x 2,54 (=78,74)	3,8	81,68
D	06	09 18 506 7803 58U	09 18 506 6803 58U	09 18 506 5803 58U	grey	bulk packaging	5000 pieces	12,2	2 x 2,54 (=5,08)	2	8,02
	10	09 18 510 7803 58U	09 18 510 6803 58U	09 18 510 5803 58U			5000 pieces	17,3	4 x 2,54 (=10,16)	3,8	13,1
	14	09 18 514 7803 58U	09 18 514 6803 58U	09 18 514 5803 58U			5000 pieces	22,4	6 x 2,54 (=15,24)	3,8	18,18
	16	09 18 516 7803 58U	09 18 516 6803 58U	09 18 516 5803 58U			5000 pieces	24,9	7 x 2,54 (=17,78)	3,8	20,72
	20	09 18 520 7803 58U	09 18 520 6803 58U	09 18 520 5803 58U			5000 pieces	30	9 x 2,54 (=22,86)	3,8	25,8
	26	09 18 526 7803 58U	09 18 526 6803 58U	09 18 526 5803 58U			5000 pieces	37,6	12 x 2,54 (=30,48)	3,8	33,42
	30	09 18 530 7803 58U	09 18 530 6803 58U	09 18 530 5803 58U			5000 pieces	42,7	14 x 2,54 (=35,56)	3,8	38,56
	34	09 18 534 7803 58U	09 18 534 6803 58U	09 18 534 5803 58U			3000 pieces	47,8	16 x 2,54 (=40,64)	3,8	43,58
	40	09 18 540 7803 58U	09 18 540 6803 58U	09 18 540 5803 58U			3000 pieces	55,4	19 x 2,54 (=48,26)	3,8	51,2

	All rights reserved	Created by	Inspected by	Standardisation	Date	State	
	Department EC PD - DE	STORCK	LEHNERT	HOFFMANN	2016-04-05	Final Release	
HARTING Electronics GmbH D-32339 Espelkamp		Title SEK 18 female connector with open end cover				Doc-Key / ECM-Nr. 100662934/UGD/001/A 50000099698	
		Type	Number		Rev.	Page	
		TB	09185XXX803		A	2/2	