



Chipsmall Limited consists of a professional team with an average of over 10 year of expertise in the distribution of electronic components. Based in Hongkong, we have already established firm and mutual-benefit business relationships with customers from,Europe,America and south Asia,supplying obsolete and hard-to-find components to meet their specific needs.

With the principle of “Quality Parts,Customers Priority,Honest Operation,and Considerate Service”,our business mainly focus on the distribution of electronic components. Line cards we deal with include Microchip,ALPS,ROHM,Xilinx,Pulse,ON,Everlight and Freescale. Main products comprise IC,Modules,Potentiometer,IC Socket,Relay,Connector.Our parts cover such applications as commercial,industrial, and automotives areas.

We are looking forward to setting up business relationship with you and hope to provide you with the best service and solution. Let us make a better world for our industry!



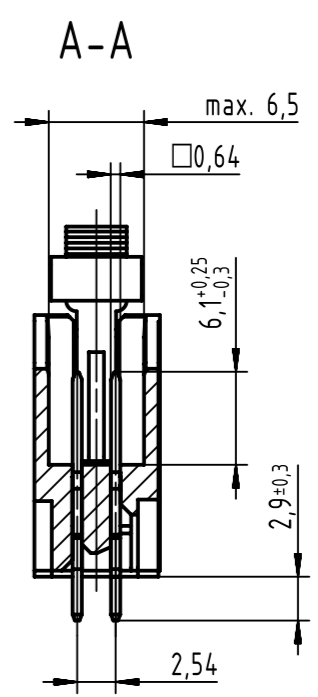
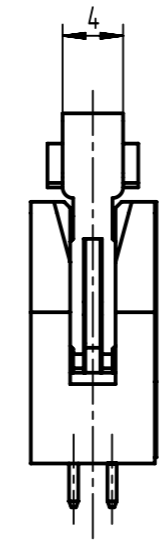
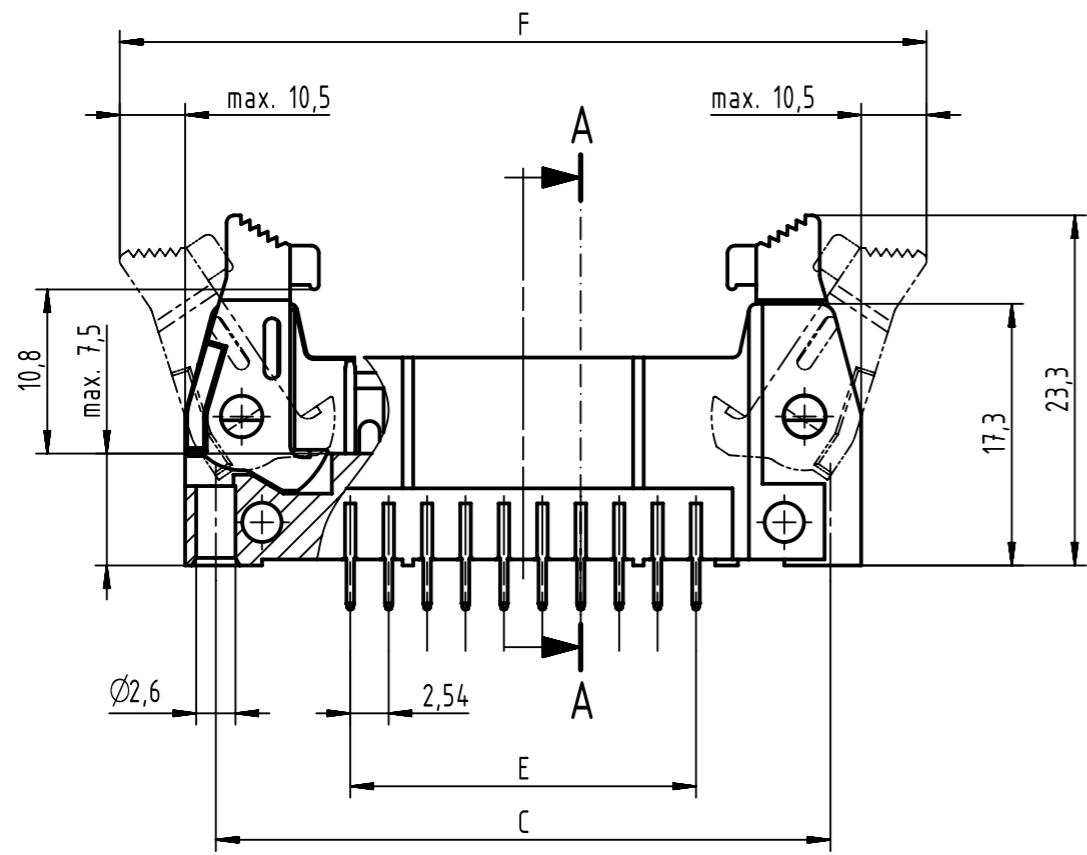
## Contact us

Tel: +86-755-8981 8866 Fax: +86-755-8427 6832

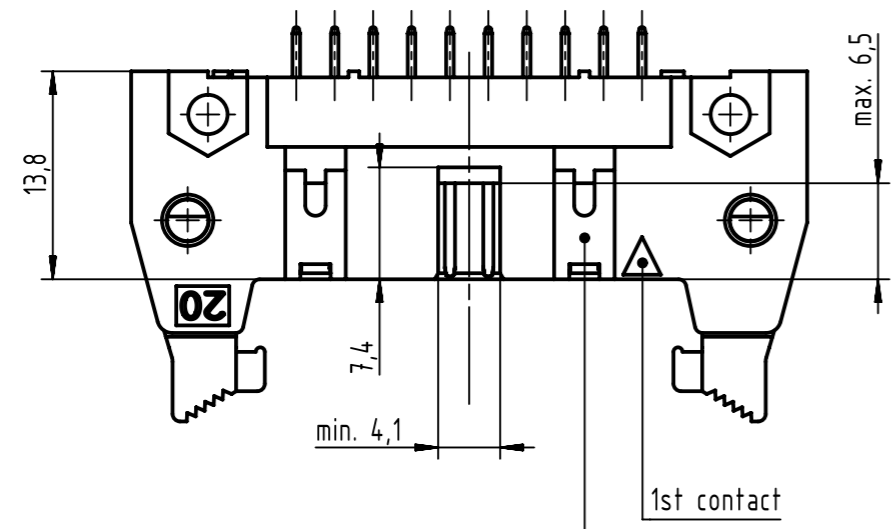
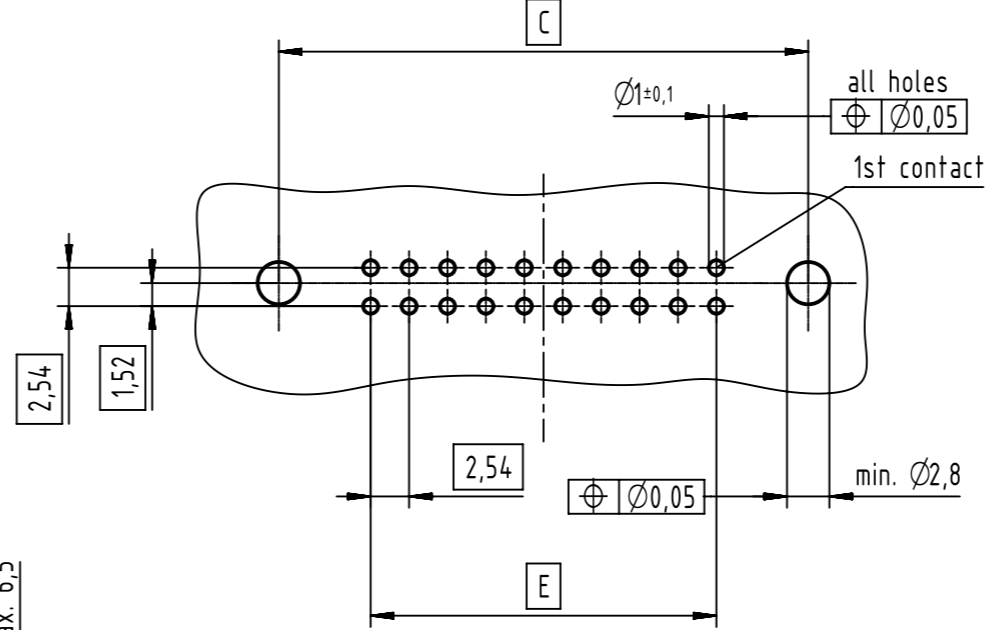
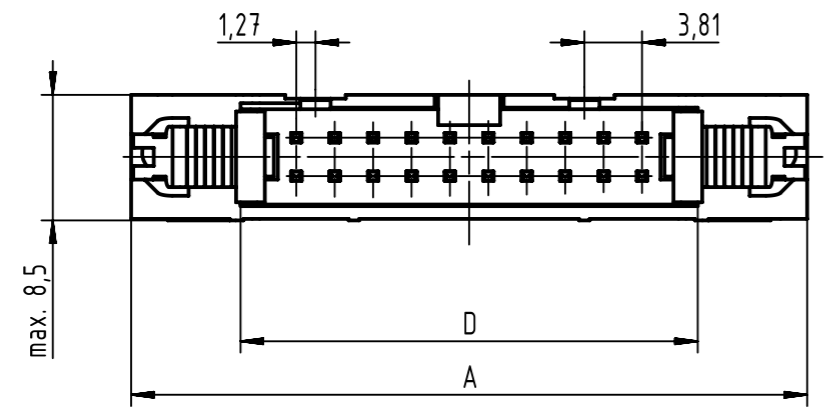
Email & Skype: info@chipsmall.com Web: www.chipsmall.com

Address: A1208, Overseas Decoration Building, #122 Zhenhua RD., Futian, Shenzhen, China

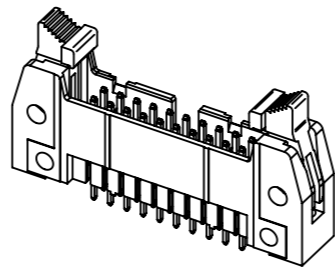




PCB layout  
view component side  
thickness 1,6



see table for coding,  
feature arrangement and style



coding style table	
	style A: for connectors 6-pole
	style B: for connectors from 10 to 14-pole
	style C: for connectors from 16 to 64-pole

further information  
see: DS 09181200001  
full range of P/N's and  
dimensions shown on page 2/2

	All rights reserved Department EC PD - DE	Created by STORCK	Inspected by TADJE	Standardisation KOHLER	Date 2015-12-21	State Final Release	Ref. Sub. TB 09185XXX914/914800 / 500000087654 / 2015-04-08
	HARTING Electronics GmbH D-32339 Espelkamp	Title SEK 18 male standard conn straight with short lever 2.9		Type TB	Number 09185XXX914	Doc-Key / ECM-Nr. 100154464/UGD/023/A 50000094595	Rev. A Page 1/2

A	1	2		3		4		5		6		7		8	
	no. of contacts	performance level						insulator colour	dimensions						
		PL3		PL2		S4			A max.	C	D	E	F		
	part number	part number	part number	part number	part number	part number									
B	06	09 18 506 7914	09 18 506 6914	09 18 506 5914			grey	27,2	22,86	12,45	2,54 x 2 = 5,08	36,9			
	10	09 18 510 7914	09 18 510 6914	09 18 510 5914				32,3	27,94	17,53	2,54 x 4 = 10,16	42,0			
	14	09 18 514 7914	09 18 514 6914	09 18 514 5914				37,4	33,02	22,61	2,54 x 6 = 15,24	47,1			
	16	09 18 516 7914	09 18 516 6914	09 18 516 5914				39,9	35,56	25,15	2,54 x 7 = 17,78	49,6			
	20	09 18 520 7914	09 18 520 6914	09 18 520 5914				45,0	40,64	30,23	2,54 x 9 = 22,86	54,7			
	24	09 18 524 7914	09 18 524 6914	09 18 524 5914				50,1	45,72	35,91	2,54 x 11 = 27,94	59,8			
	26	09 18 526 7914	09 18 526 6914	09 18 526 5914				52,6	48,26	37,85	2,54 x 12 = 30,48	62,3			
	30	09 18 530 7914	09 18 530 6914	09 18 530 5914				58,0	53,34	43,83	2,54 x 14 = 35,56	68,2			
	34	09 18 534 7914	09 18 534 6914	09 18 534 5914				62,8	58,42	48,01	2,54 x 16 = 40,64	72,5			
	40	09 18 540 7914	09 18 540 6914	09 18 540 5914				70,4	66,04	55,63	2,54 x 19 = 48,26	80,1			
	50	09 18 550 7914	09 18 550 6914	09 18 550 5914				83,1	78,74	68,33	2,54 x 24 = 60,96	92,8			
	60	09 18 560 7914	09 18 560 6914	09 18 560 5914				95,8	91,44	81,03	2,54 x 29 = 73,66	105,5			
	64	09 18 564 7914	09 18 564 6914	09 18 564 5914				100,9	96,52	86,11	2,54 x 31 = 78,74	110,6			
	C	06	09 18 506 7914 001	09 18 506 6914 001	09 18 506 5914 001				black	27,2	22,86	12,45	2,54 x 2 = 5,08	36,9	
10		09 18 510 7914 001	09 18 510 6914 001	09 18 510 5914 001			32,3	27,94		17,53	2,54 x 4 = 10,16	42,0			
14		09 18 514 7914 001	09 18 514 6914 001	09 18 514 5914 001			37,4	33,02		22,61	2,54 x 6 = 15,24	47,1			
16		09 18 516 7914 001	09 18 516 6914 001	09 18 516 5914 001			39,9	35,56		25,15	2,54 x 7 = 17,78	49,6			
20		09 18 520 7914 001	09 18 520 6914 001	09 18 520 5914 001			45,0	40,64		30,23	2,54 x 9 = 22,86	54,7			
24		09 18 524 7914 001	09 18 524 6914 001	09 18 524 5914 001			50,1	45,72		35,91	2,54 x 11 = 27,94	59,8			
26		09 18 526 7914 001	09 18 526 6914 001	09 18 526 5914 001			52,6	48,26		37,85	2,54 x 12 = 30,48	62,3			
30		09 18 530 7914 001	09 18 530 6914 001	09 18 530 5914 001			58,0	53,34		43,83	2,54 x 14 = 35,56	68,2			
34		09 18 534 7914 001	09 18 534 6914 001	09 18 534 5914 001			62,8	58,42		48,01	2,54 x 16 = 40,64	72,5			
40		09 18 540 7914 001	09 18 540 6914 001	09 18 540 5914 001			70,4	66,04		55,63	2,54 x 19 = 48,26	80,1			
50		09 18 550 7914 001	09 18 550 6914 001	09 18 550 5914 001			83,1	78,74		68,33	2,54 x 24 = 60,96	92,8			
60		09 18 560 7914 001	09 18 560 6914 001	09 18 560 5914 001			95,8	91,44		81,03	2,54 x 29 = 73,66	105,5			
64		09 18 564 7914 001	09 18 564 6914 001	09 18 564 5914 001			100,9	96,52		86,11	2,54 x 31 = 78,74	110,6			
D		06	09 18 506 7914 800	09 18 506 6914 800	09 18 506 5914 800			grey without printing		27,2	22,86	12,45	2,54 x 2 = 5,08	36,9	
	10	09 18 510 7914 800	09 18 510 6914 800	09 18 510 5914 800			32,3		27,94	17,53	2,54 x 4 = 10,16	42,0			
	14	09 18 514 7914 800	09 18 514 6914 800	09 18 514 5914 800			37,4		33,02	22,61	2,54 x 6 = 15,24	47,1			
	16	09 18 516 7914 800	09 18 516 6914 800	09 18 516 5914 800			39,9		35,56	25,15	2,54 x 7 = 17,78	49,6			
	20	09 18 520 7914 800	09 18 520 6914 800	09 18 520 5914 800			45,0		40,64	30,23	2,54 x 9 = 22,86	54,7			
	24	09 18 524 7914 800	09 18 524 6914 800	09 18 524 5914 800			50,1		45,72	35,91	2,54 x 11 = 27,94	59,8			
	26	09 18 526 7914 800	09 18 526 6914 800	09 18 526 5914 800			52,6		48,26	37,85	2,54 x 12 = 30,48	62,3			
	30	09 18 530 7914 800	09 18 530 6914 800	09 18 530 5914 800			58,0		53,34	43,83	2,54 x 14 = 35,56	68,2			
	34	09 18 534 7914 800	09 18 534 6914 800	09 18 534 5914 800			62,8		58,42	48,01	2,54 x 16 = 40,64	72,5			
	40	09 18 540 7914 800	09 18 540 6914 800	09 18 540 5914 800			70,4		66,04	55,63	2,54 x 19 = 48,26	80,1			
	50	09 18 550 7914 800	09 18 550 6914 800	09 18 550 5914 800			83,1		78,74	68,33	2,54 x 24 = 60,96	92,8			
	60	09 18 560 7914 800	09 18 560 6914 800	09 18 560 5914 800			95,8		91,44	81,03	2,54 x 29 = 73,66	105,5			
	64	09 18 564 7914 800	09 18 564 6914 800	09 18 564 5914 800			100,9		96,52	86,11	2,54 x 31 = 78,74	110,6			

	All rights reserved	Created by	Inspected by	Standardisation	Date	State	
	Department EC PD - DE	STORCK	TADJE	KOHLER	2015-12-21	Final Release	
HARTING Electronics GmbH		Title				Doc-Key / ECM-Nr.	
D-32339 Espelkamp		SEK 18 male standard conn straight with short lever 2.9				100154464/UGD/023/A 50000094595	
		Type	Number		Rev.	Page	
		TB	09185XXX914		A	2/2	