



Chipsmall Limited consists of a professional team with an average of over 10 year of expertise in the distribution of electronic components. Based in Hongkong, we have already established firm and mutual-benefit business relationships with customers from,Europe,America and south Asia,supplying obsolete and hard-to-find components to meet their specific needs.

With the principle of “Quality Parts,Customers Priority,Honest Operation,and Considerate Service”,our business mainly focus on the distribution of electronic components. Line cards we deal with include Microchip,ALPS,ROHM,Xilinx,Pulse,ON,Everlight and Freescale. Main products comprise IC,Modules,Potentiometer,IC Socket,Relay,Connector.Our parts cover such applications as commercial,industrial, and automotives areas.

We are looking forward to setting up business relationship with you and hope to provide you with the best service and solution. Let us make a better world for our industry!



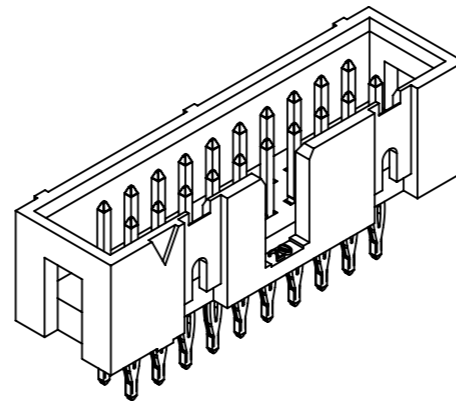
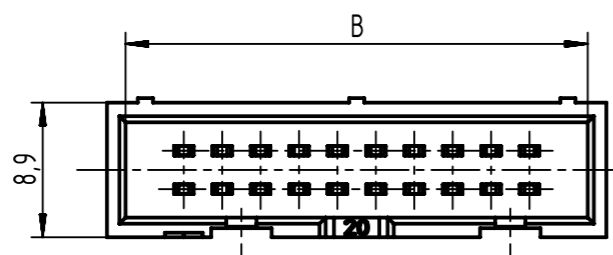
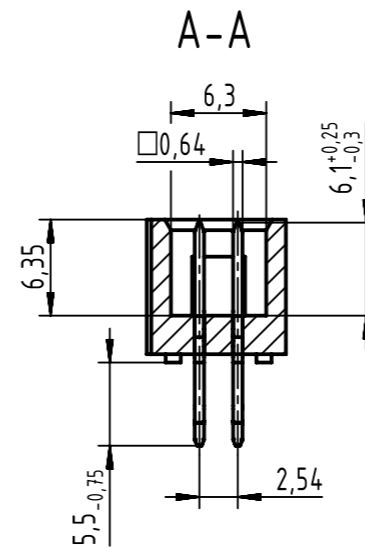
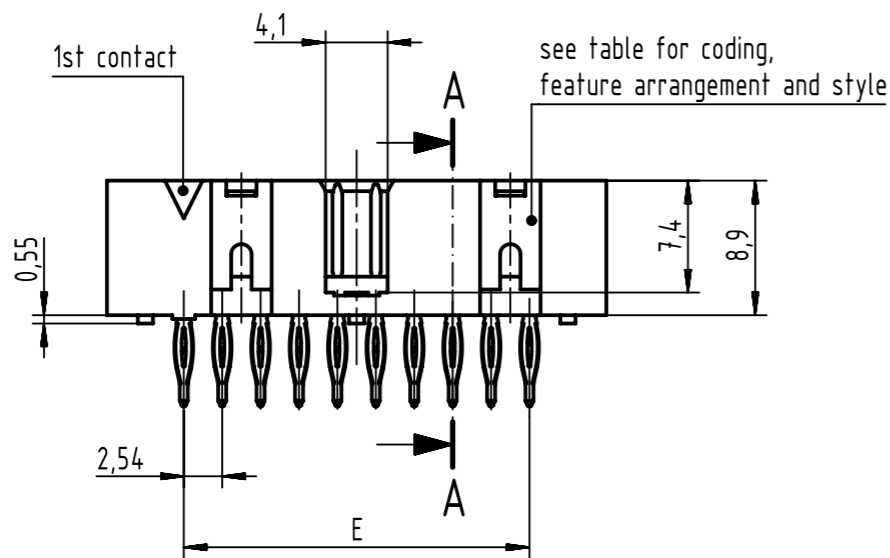
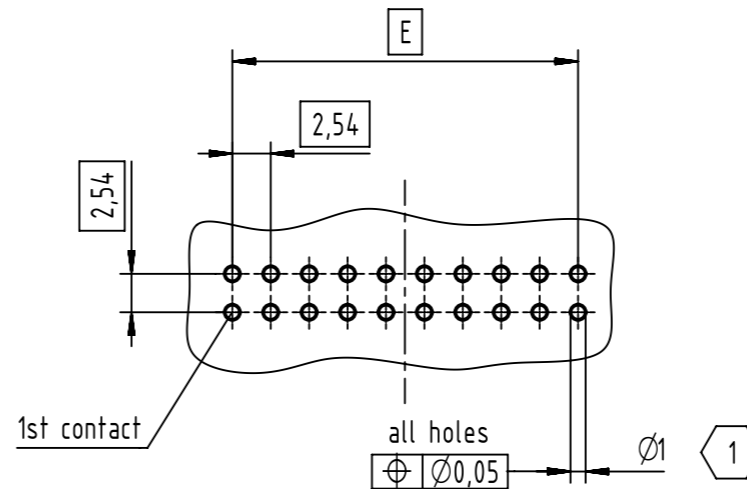
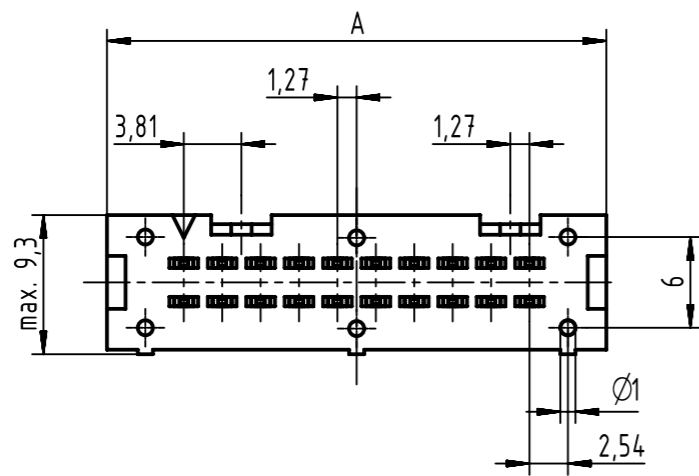
Contact us

Tel: +86-755-8981 8866 Fax: +86-755-8427 6832

Email & Skype: info@chipsmall.com Web: www.chipsmall.com

Address: A1208, Overseas Decoration Building, #122 Zhenhua RD., Futian, Shenzhen, China






$\text{Ø}1$ recommended configuration of plated through holes and further more information see DS 09181100001

full range of P/N's and dimensions shown on page 2/2

coding style table	
	style A: for connectors 6-pole
	style B: for connectors from 10 to 14-pole
	style C: for connectors from 16 to 64-pole

	All Dimensions in mm Original Size DIN A3	Scale 2:1	Free size tol. IEC 60603-13	Ref. Sub. TB 09185XXX329 / 50000068837 / 2014-05-16
	All rights reserved Department EC PD - DE	Created by STORCK	Inspected by LEHNERT	Standardisation HOFFMANN
HARTING Electronics GmbH D-32339 Espelkamp	Title SEK 18 male low profile straight press-in 5.5	Date 2015-12-07	State Final Release	Doc-Key / ECM-Nr. 100154466/UGD/009/A 50000094890
	Type TB	Number 09185XXX329	Rev. A	Page 1/2

no. of contacts	performance level			insulator colour	dimensions		
	PL3	PL2	S4		A max.	B	E
06	09 18 506 7329	09 18 506 6329	09 18 506 5329	grey	15,4	12,78	2,54 x 2 = 5,08
10	09 18 510 7329	09 18 510 6329	09 18 510 5329		20,5	17,86	2,54 x 4 = 10,16
14	09 18 514 7329	09 18 514 6329	09 18 514 5329		25,6	22,94	2,54 x 6 = 15,24
16	09 18 516 7329	09 18 516 6329	09 18 516 5329		28,1	25,48	2,54 x 7 = 17,78
20	09 18 520 7329	09 18 520 6329	09 18 520 5329		33,2	30,56	2,54 x 9 = 22,86
26	09 18 526 7329	09 18 526 6329	09 18 526 5329		40,8	38,18	2,54 x 12 = 30,48
30	09 18 530 7329	09 18 530 6329	09 18 530 5329		45,9	43,26	2,54 x 14 = 35,56
34	09 18 534 7329	09 18 534 6329	09 18 534 5329		51,0	48,34	2,54 x 16 = 40,64
40	09 18 540 7329	09 18 540 6329	09 18 540 5329		58,6	55,96	2,54 x 19 = 48,26
50	09 18 550 7329	09 18 550 6329	09 18 550 5329		71,5	68,66	2,54 x 24 = 60,96
60	09 18 560 7329	09 18 560 6329	09 18 560 5329		84,2	81,36	2,54 x 29 = 73,66
64	09 18 564 7329	09 18 564 6329	09 18 564 5329		89,3	86,44	2,54 x 31 = 78,74

	All rights reserved	Created by	Inspected by	Standardisation	Date	State	
	Department EC PD - DE	STORCK	LEHNERT	HOFFMANN	2015-12-07	Final Release	
HARTING Electronics GmbH D-32339 Espelkamp		Title SEK 18 male low profile straight press-in 5.5				Doc-Key / ECM-Nr. 100154466/UGD/009/A 50000094890	
		Type	Number		Rev.	Page	
		TB	09185XXX329		A	2/2	