



Chipsmall Limited consists of a professional team with an average of over 10 year of expertise in the distribution of electronic components. Based in Hongkong, we have already established firm and mutual-benefit business relationships with customers from,Europe,America and south Asia,supplying obsolete and hard-to-find components to meet their specific needs.

With the principle of "Quality Parts,Customers Priority,Honest Operation,and Considerate Service",our business mainly focus on the distribution of electronic components. Line cards we deal with include Microchip,ALPS,ROHM,Xilinx,Pulse,ON,Everlight and Freescale. Main products comprise IC,Modules,Potentiometer,IC Socket,Relay,Connector.Our parts cover such applications as commercial,industrial, and automotives areas.

We are looking forward to setting up business relationship with you and hope to provide you with the best service and solution. Let us make a better world for our industry!



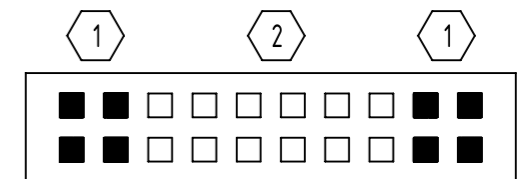
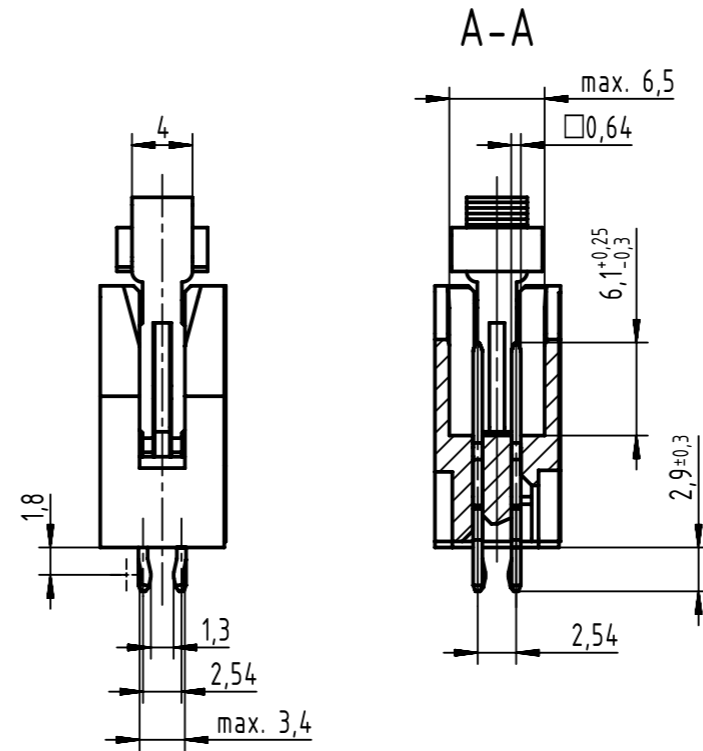
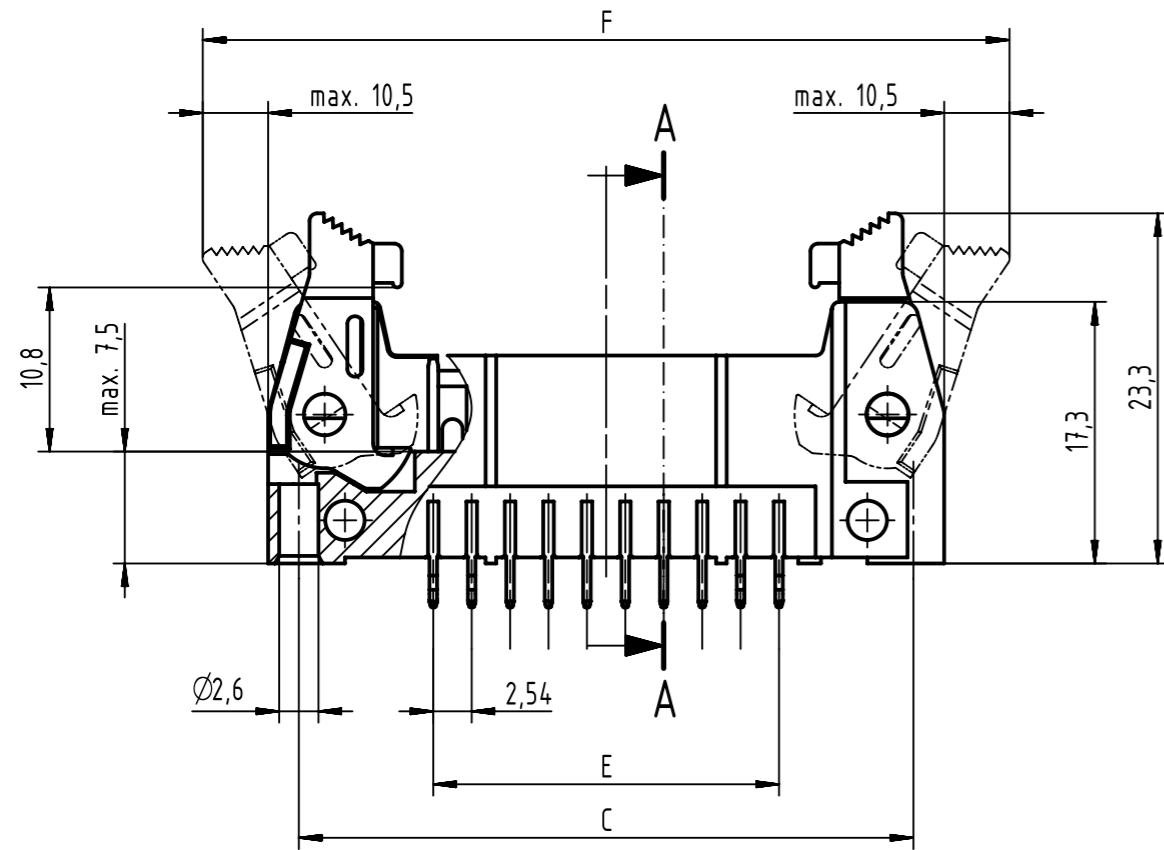
## Contact us

Tel: +86-755-8981 8866 Fax: +86-755-8427 6832

Email & Skype: info@chipsmall.com Web: www.chipsmall.com

Address: A1208, Overseas Decoration Building, #122 Zhenhua RD., Futian, Shenzhen, China





□ = straight contact  
 ■ = kinked contact

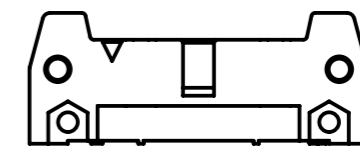
1 kinked contacts

PCB thickness from 1,50 to 1,94 mm after Cu+Sn plating  
 with non remelted plated through holes  $\varnothing 0,85$  mm to  $\varnothing 1,05$  mm  
 max. insertion force = 125N  
 min. retention force = 3N

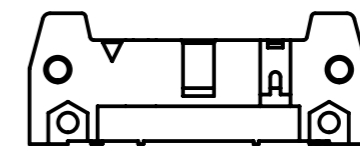
2 non kinked contacts

solder contacts for PCB connections  
 $\varnothing 1\pm 0,1$  acc. to IEC 60603-13

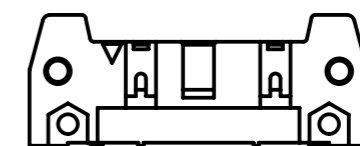
coding style table



style A:  
for connectors 6-pole

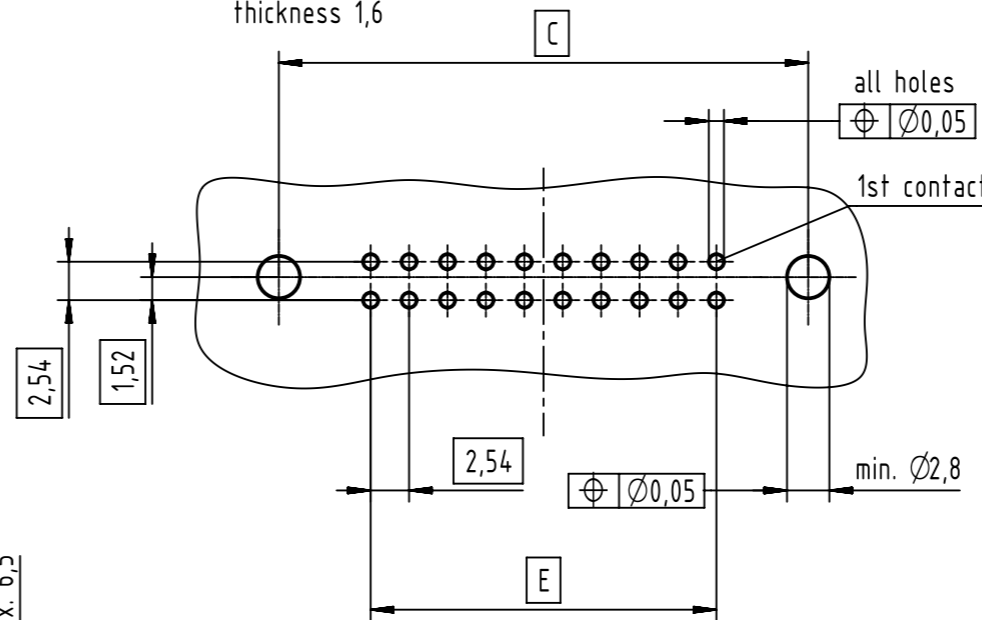


style B:  
for connectors  
from 10 to 14-pole



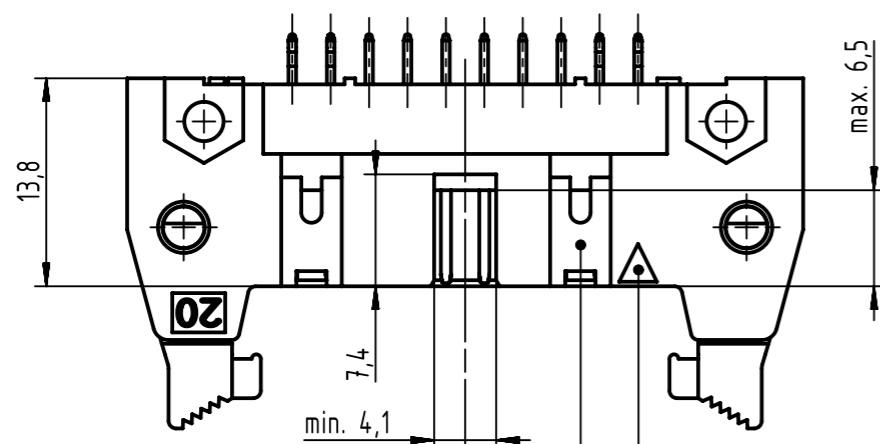
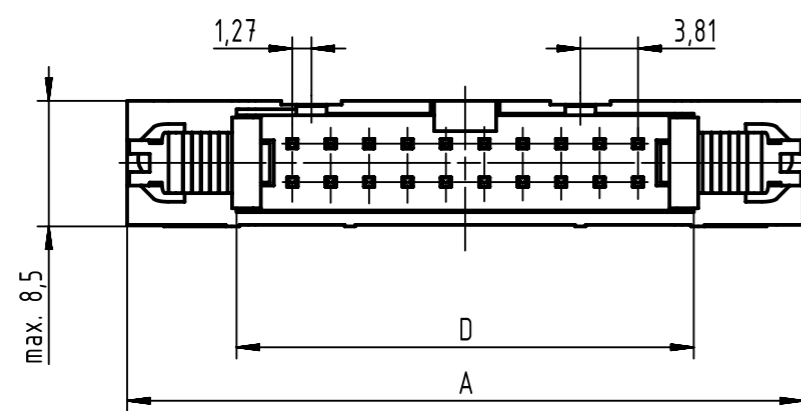
style C:  
for connectors  
from 16 to 64-pole

PCB layout  
 view component side  
 thickness 1,6

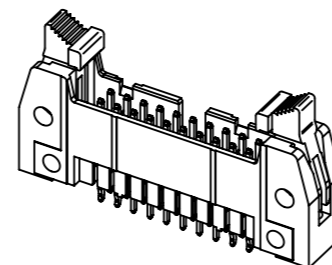


further information see:  
 DS 09181200001 for 09185XXX014  
 DS 09191230202 for 09195XXX014

full range of P/N's and  
 dimensions shown on page 2/2




see table for coding,  
 feature arrangement and style



All Dimensions in mm Original Size DIN A3		Scale 2:1	Free size tol. IEC 60603-13	Ref. Sub. TB 091X5XXX014 / 500000087654 / 2015-04-08	
All rights reserved Department EC PD - DE HARTING Electronics GmbH D-32339 Espelkamp	Created by STORCK	Inspected by TADJE	Standardisation KOHLE	Date 2015-12-21	State Final Release
	Title SEK 18/19 male STD straight kinked with short lever 2.9				Doc-Key / ECM-Nr. 100154464/UGD/043/A 50000094644
Type TB		Number 091X5XXX014		Rev. A	Page 1/2

		performance level			dimensions						
		PL3	PL2	S4	solder process	insulator colour	A max.	C	D	E	F
no. of contacts	part number	part number	part number								
06	09 18 506 7014	09 18 506 6014	09 18 506 5014	wave soldering	grey	27,2	22,86	12,45	2,54 x 2 = 5,08	36,9	
10	09 18 510 7014	09 18 510 6014	09 18 510 5014			32,3	27,94	17,53	2,54 x 4 = 10,16	42,0	
14	09 18 514 7014	09 18 514 6014	09 18 514 5014			37,4	33,02	22,61	2,54 x 6 = 15,24	47,1	
16	09 18 516 7014	09 18 516 6014	09 18 516 5014			39,9	35,56	25,15	2,54 x 7 = 17,78	49,6	
20	09 18 520 7014	09 18 520 6014	09 18 520 5014			45,0	40,64	30,23	2,54 x 9 = 22,86	54,7	
24	09 18 524 7014	09 18 524 6014	09 18 524 5014			50,1	45,72	35,91	2,54 x 11 = 27,94	59,8	
26	09 18 526 7014	09 18 526 6014	09 18 526 5014			52,6	48,26	37,85	2,54 x 12 = 30,48	62,3	
30	09 18 530 7014	09 18 530 6014	09 18 530 5014			58,0	53,34	43,83	2,54 x 14 = 35,56	68,2	
34	09 18 534 7014	09 18 534 6014	09 18 534 5014			62,8	58,42	48,01	2,54 x 16 = 40,64	72,5	
40	09 18 540 7014	09 18 540 6014	09 18 540 5014			70,4	66,04	55,63	2,54 x 19 = 48,26	80,1	
50	09 18 550 7014	09 18 550 6014	09 18 550 5014			83,1	78,74	68,33	2,54 x 24 = 60,96	92,8	
60	09 18 560 7014	09 18 560 6014	09 18 560 5014			95,8	91,44	81,03	2,54 x 29 = 73,66	105,5	
64	09 18 564 7014	09 18 564 6014	09 18 564 5014			100,9	96,52	86,11	2,54 x 31 = 78,74	110,6	
06	09 19 506 7014	09 19 506 6014	09 19 506 5014			wave & reflow soldering	beige	27,2	22,86	12,45	2,54 x 2 = 5,08
10	09 19 510 7014	09 19 510 6014	09 19 510 5014	32,3	27,94			17,53	2,54 x 4 = 10,16	42,0	
14	09 19 514 7014	09 19 514 6014	09 19 514 5014	37,4	33,02			22,61	2,54 x 6 = 15,24	47,1	
16	09 19 516 7014	09 19 516 6014	09 19 516 5014	39,9	35,56			25,15	2,54 x 7 = 17,78	49,6	
20	09 19 520 7014	09 19 520 6014	09 19 520 5014	45,0	40,64			30,23	2,54 x 9 = 22,86	54,7	
24	09 19 524 7014	09 19 524 6014	09 19 524 5014	50,1	45,72			35,91	2,54 x 11 = 27,94	59,8	
26	09 19 526 7014	09 19 526 6014	09 19 526 5014	52,6	48,26			37,85	2,54 x 12 = 30,48	62,3	
30	09 19 530 7014	09 19 530 6014	09 19 530 5014	58,0	53,34			43,83	2,54 x 14 = 35,56	68,2	
34	09 19 534 7014	09 19 534 6014	09 19 534 5014	62,8	58,42			48,01	2,54 x 16 = 40,64	72,5	
40	09 19 540 7014	09 19 540 6014	09 19 540 5014	70,4	66,04			55,63	2,54 x 19 = 48,26	80,1	
50	09 19 550 7014	09 19 550 6014	09 19 550 5014	83,1	78,74			68,33	2,54 x 24 = 60,96	92,8	
60	09 19 560 7014	09 19 560 6014	09 19 560 5014	95,8	91,44			81,03	2,54 x 29 = 73,66	105,5	
64	09 19 564 7014	09 19 564 6014	09 19 564 5014	100,9	96,52			86,11	2,54 x 31 = 78,74	110,6	

	All rights reserved	Created by	Inspected by	Standardisation	Date	State	
	Department EC PD - DE	STORCK	TADJE	KOHLER	2015-12-21	Final Release	
HARTING Electronics GmbH D-32339 Espelkamp		Title SEK 18/19 male STD straight kinked with short lever 2.9				Doc-Key / ECM-Nr. 100154464/UGD/043/A 50000094644	
		Type	Number	Rev.		Page	
		TB	091X5XXX014	A		2/2	