



Chipsmall Limited consists of a professional team with an average of over 10 year of expertise in the distribution of electronic components. Based in Hongkong, we have already established firm and mutual-benefit business relationships with customers from,Europe,America and south Asia,supplying obsolete and hard-to-find components to meet their specific needs.

With the principle of “Quality Parts,Customers Priority,Honest Operation,and Considerate Service”,our business mainly focus on the distribution of electronic components. Line cards we deal with include Microchip,ALPS,ROHM,Xilinx,Pulse,ON,Everlight and Freescale. Main products comprise IC,Modules,Potentiometer,IC Socket,Relay,Connector.Our parts cover such applications as commercial,industrial, and automotives areas.

We are looking forward to setting up business relationship with you and hope to provide you with the best service and solution. Let us make a better world for our industry!



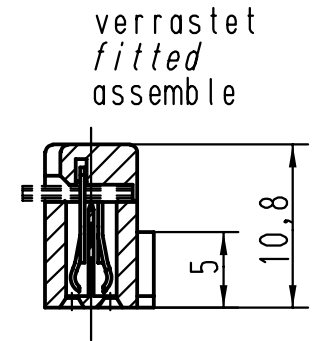
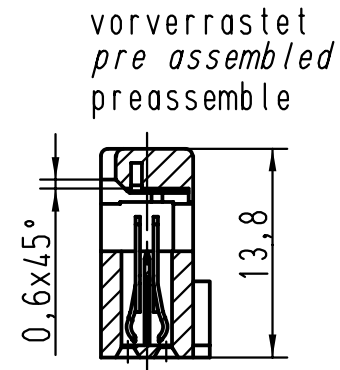
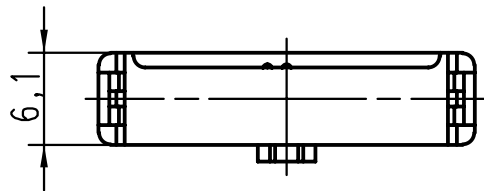
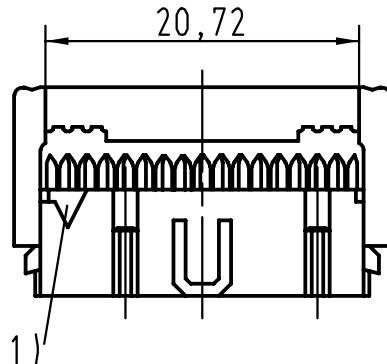
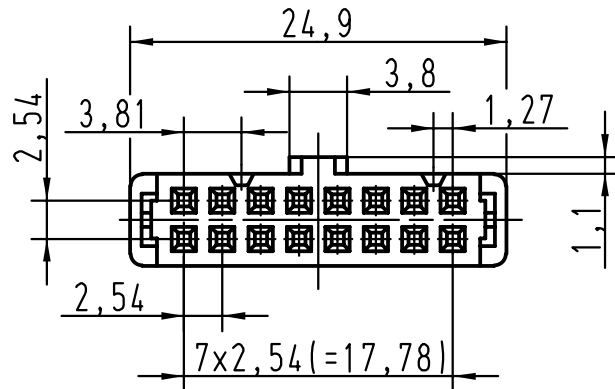
Contact us

Tel: +86-755-8981 8866 Fax: +86-755-8427 6832

Email & Skype: info@chipsmall.com Web: www.chipsmall.com

Address: A1208, Overseas Decoration Building, #122 Zhenhua RD., Futian, Shenzhen, China





1) Markierung erster Kontakt, Ader 1 des Flachkabels
 1) Contact no.1, 1st wire of flat cable
 1) Contact no.1, repère 1 du câble

		All Dimensions in mm Original Size DIN A 4		Techn. Character.			Nicht tolerierte Masse/ Free size tolerances	
09185165804		0,76 μm Au				SEK 18 Female Connector 16 poles with central polarisation cover with cable stop		
09185166804		2		Detail. 01-FEB-00 Th				2:1
09185167804		3		Insp. 01-FEB-00 JMV				
Bestell-Nr. Part-No. Reference		Anforderungsstufe performance level Niveau de qualite		26570 01-FEB-00 JB Mod. Dat. Name		HARTING EURL F-95972 Paris		
						TB 0918516X804 Sub.		
						Blatt/ page 1 / 1		