



Chipsmall Limited consists of a professional team with an average of over 10 year of expertise in the distribution of electronic components. Based in Hongkong, we have already established firm and mutual-benefit business relationships with customers from,Europe,America and south Asia,supplying obsolete and hard-to-find components to meet their specific needs.

With the principle of “Quality Parts,Customers Priority,Honest Operation,and Considerate Service”,our business mainly focus on the distribution of electronic components. Line cards we deal with include Microchip,ALPS,ROHM,Xilinx,Pulse,ON,Everlight and Freescale. Main products comprise IC,Modules,Potentiometer,IC Socket,Relay,Connector.Our parts cover such applications as commercial,industrial, and automotives areas.

We are looking forward to setting up business relationship with you and hope to provide you with the best service and solution. Let us make a better world for our industry!



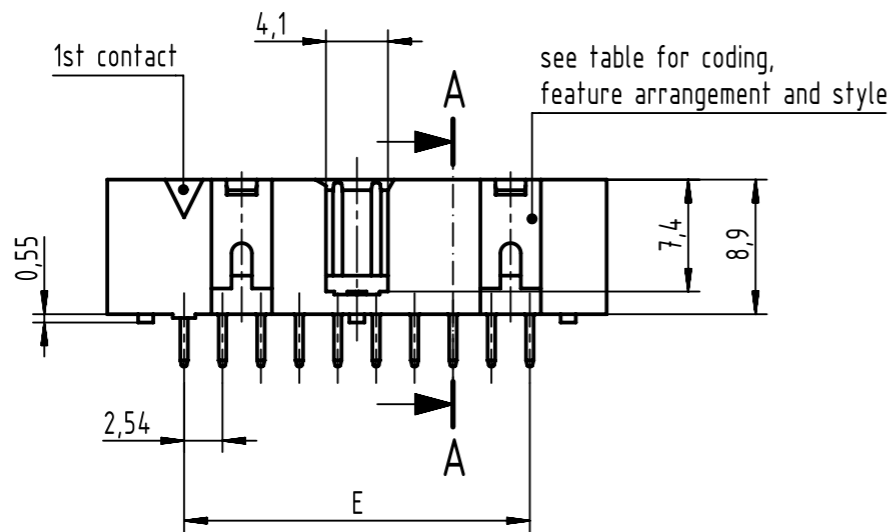
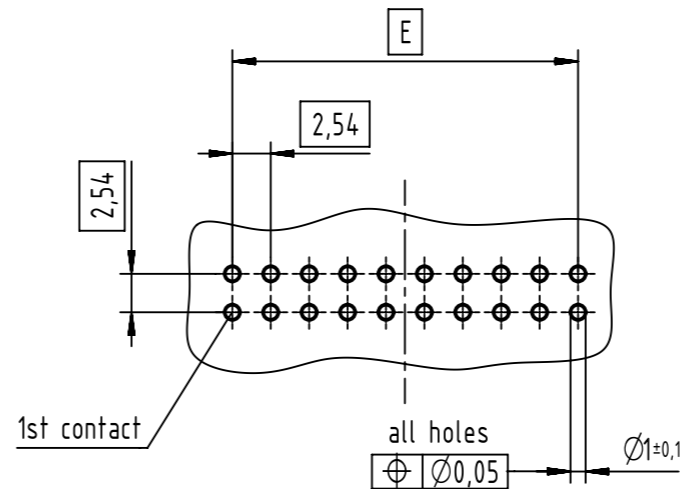
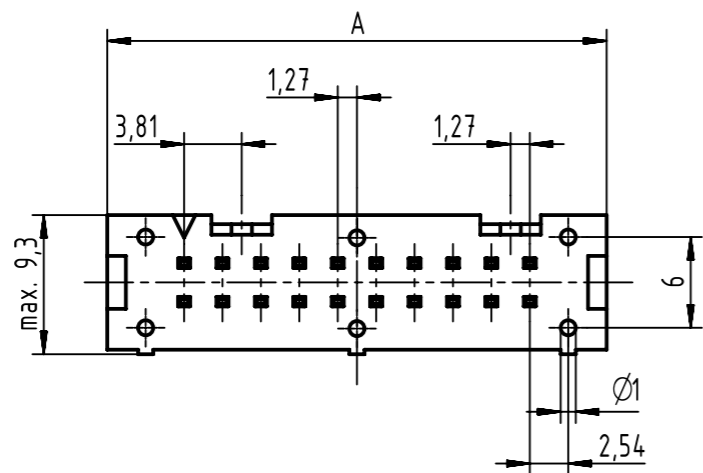
## Contact us

Tel: +86-755-8981 8866 Fax: +86-755-8427 6832

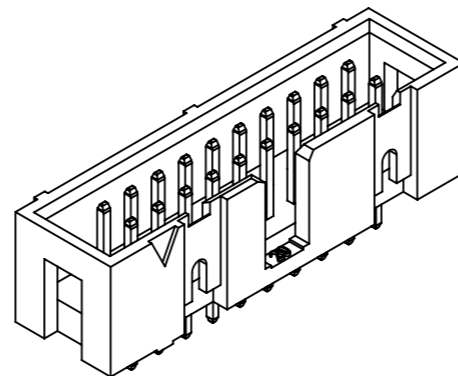
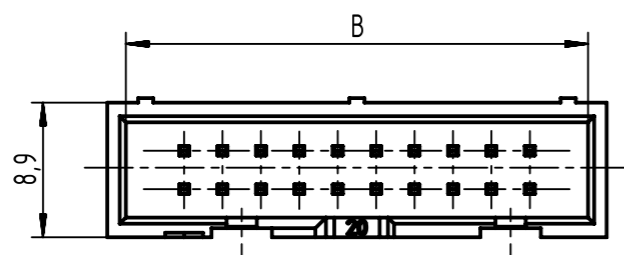
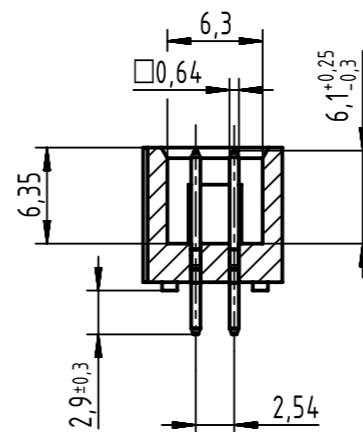
Email & Skype: info@chipsmall.com Web: www.chipsmall.com

Address: A1208, Overseas Decoration Building, #122 Zhenhua RD., Futian, Shenzhen, China





A-A



PCB layout  
view component side  
thickness 1.6

coding style table


	style A: for connectors 6-pole
	style B: for connectors from 10 to 14-pole
	style C: for connectors from 16 to 64-pole

further more information  
see DS 09181100001

full range of P/N's and  
dimensions shown on page 2/2

	All Dimensions in mm Original Size DIN A3	Scale 2:1	Free size tol. IEC 60603-13	Ref. Sub. TB 09185XXX324 / 500000068837 / 2014-05-16	
	All rights reserved Department EC PD - DE	Created by STORCK	Inspected by LEHNERT	Standardisation HOFFMANN	Date 2015-12-07
HARTING Electronics GmbH D-32339 Espelkamp		Title SEK 18 male low profile straight solder 2.9			Doc-Key / ECM-Nr. 100154466/UGD/008/A 50000094890
		Type TB	Number 09185XXX324		Rev. A Page 1/2

performance level				insulator colour	dimensions			
no. of contacts	PL3 part number	PL2 part number	S4 part number		A max.	B	E	
06	09 18 506 7324	09 18 506 6324	09 18 506 5324	grey	15,4	12,78	2,54 x 2 = 5,08	
10	09 18 510 7324	09 18 510 6324	09 18 510 5324		20,5	17,86	2,54 x 4 = 10,16	
14	09 18 514 7324	09 18 514 6324	09 18 514 5324		25,6	22,94	2,54 x 6 = 15,24	
16	09 18 516 7324	09 18 516 6324	09 18 516 5324		28,1	25,48	2,54 x 7 = 17,78	
20	09 18 520 7324	09 18 520 6324	09 18 520 5324		33,2	30,56	2,54 x 9 = 22,86	
26	09 18 526 7324	09 18 526 6324	09 18 526 5324		40,8	38,18	2,54 x 12 = 30,48	
30	09 18 530 7324	09 18 530 6324	09 18 530 5324		45,9	43,26	2,54 x 14 = 35,56	
34	09 18 534 7324	09 18 534 6324	09 18 534 5324		51,0	48,34	2,54 x 16 = 40,64	
40	09 18 540 7324	09 18 540 6324	09 18 540 5324		58,6	55,96	2,54 x 19 = 48,26	
50	09 18 550 7324	09 18 550 6324	09 18 550 5324		71,5	68,66	2,54 x 24 = 60,96	
60	09 18 560 7324	09 18 560 6324	09 18 560 5324		84,2	81,36	2,54 x 29 = 73,66	
64	09 18 564 7324	09 18 564 6324	09 18 564 5324		89,3	86,44	2,54 x 31 = 78,74	
06	09 18 506 7324 001	09 18 506 6324 001	09 18 506 5324 001		black	15,4	12,78	2,54 x 2 = 5,08
10	09 18 510 7324 001	09 18 510 6324 001	09 18 510 5324 001			20,5	17,86	2,54 x 4 = 10,16
14	09 18 514 7324 001	09 18 514 6324 001	09 18 514 5324 001	25,6		22,94	2,54 x 6 = 15,24	
16	09 18 516 7324 001	09 18 516 6324 001	09 18 516 5324 001	28,1		25,48	2,54 x 7 = 17,78	
20	09 18 520 7324 001	09 18 520 6324 001	09 18 520 5324 001	33,2		30,56	2,54 x 9 = 22,86	
26	09 18 526 7324 001	09 18 526 6324 001	09 18 526 5324 001	40,8		38,18	2,54 x 12 = 30,48	
30	09 18 530 7324 001	09 18 530 6324 001	09 18 530 5324 001	45,9		43,26	2,54 x 14 = 35,56	
34	09 18 534 7324 001	09 18 534 6324 001	09 18 534 5324 001	51,0		48,34	2,54 x 16 = 40,64	
40	09 18 540 7324 001	09 18 540 6324 001	09 18 540 5324 001	58,6		55,96	2,54 x 19 = 48,26	
50	09 18 550 7324 001	09 18 550 6324 001	09 18 550 5324 001	71,5		68,66	2,54 x 24 = 60,96	
60	09 18 560 7324 001	09 18 560 6324 001	09 18 560 5324 001	84,2		81,36	2,54 x 29 = 73,66	
64	09 18 564 7324 001	09 18 564 6324 001	09 18 564 5324 001	89,3		86,44	2,54 x 31 = 78,74	

	All rights reserved Department EC PD - DE	All Dimensions in mm Original Size DIN A3	Scale 1:1	Free size tol.	Ref. Sub. TB 09185XXX324 / 50000068837 / 2014-05-16	
	HARTING Electronics GmbH D-32339 Espelkamp	Created by STORCK	Inspected by LEHNERT	Standardisation HOFFMANN	Date 2015-12-07	State Final Release
Title SEK 18 male low profile straight solder 2.9				Type TB	Number 09185XXX324	Rev. <b>A</b> Page 2/2