



Chipsmall Limited consists of a professional team with an average of over 10 year of expertise in the distribution of electronic components. Based in Hongkong, we have already established firm and mutual-benefit business relationships with customers from,Europe,America and south Asia,supplying obsolete and hard-to-find components to meet their specific needs.

With the principle of “Quality Parts,Customers Priority,Honest Operation,and Considerate Service”,our business mainly focus on the distribution of electronic components. Line cards we deal with include Microchip,ALPS,ROHM,Xilinx,Pulse,ON,Everlight and Freescale. Main products comprise IC,Modules,Potentiometer,IC Socket,Relay,Connector.Our parts cover such applications as commercial,industrial, and automotives areas.

We are looking forward to setting up business relationship with you and hope to provide you with the best service and solution. Let us make a better world for our industry!



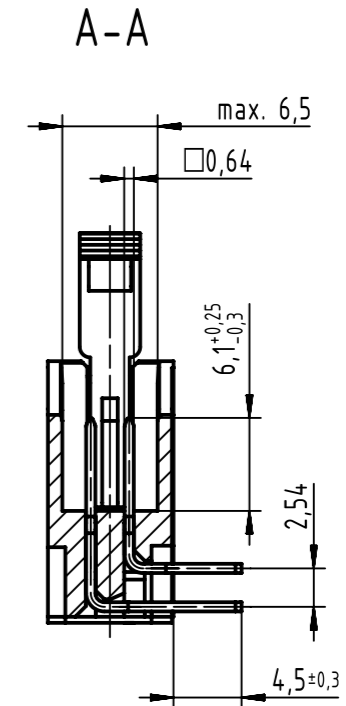
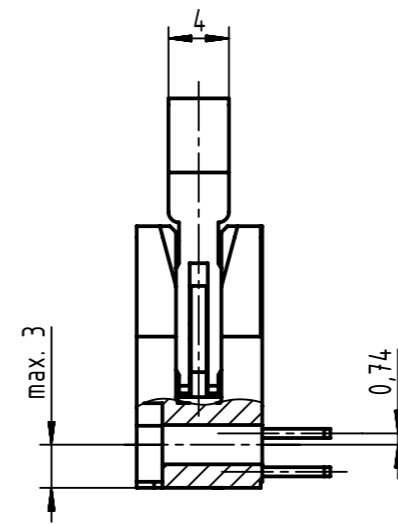
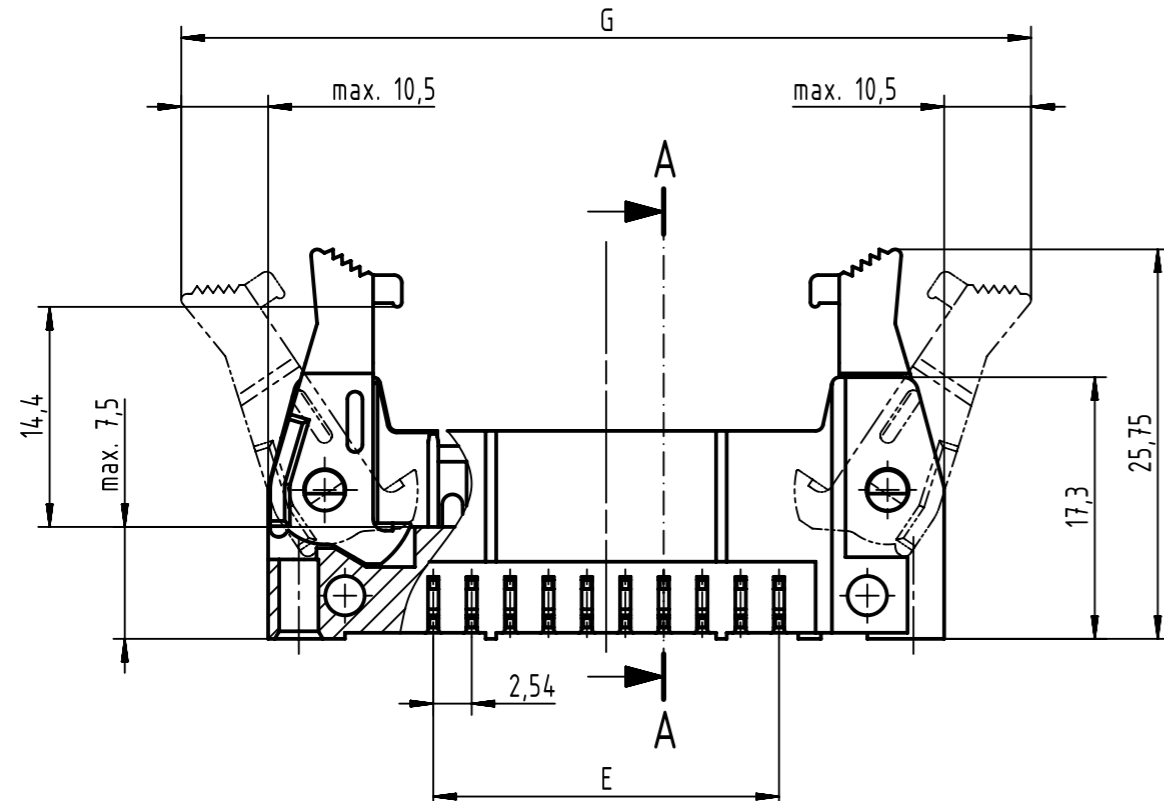
Contact us

Tel: +86-755-8981 8866 Fax: +86-755-8427 6832

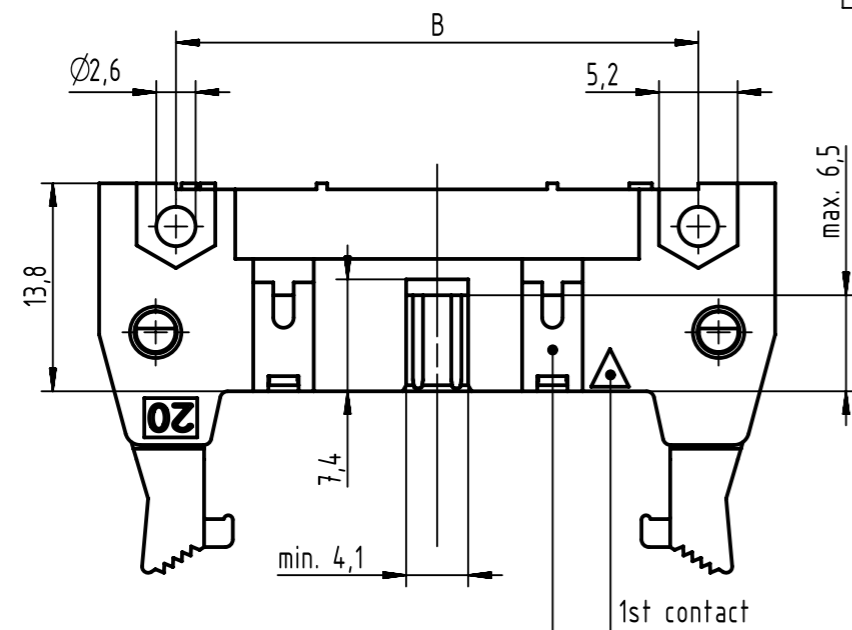
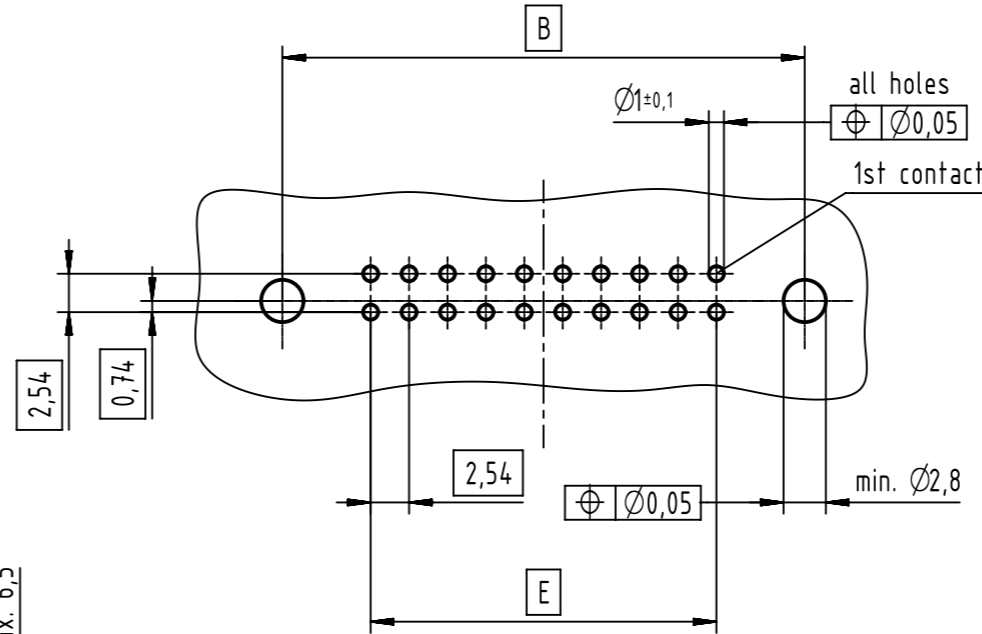
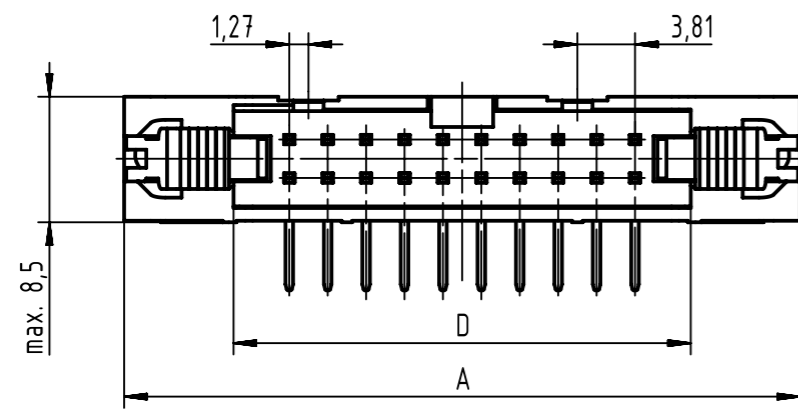
Email & Skype: info@chipsmall.com Web: www.chipsmall.com

Address: A1208, Overseas Decoration Building, #122 Zhenhua RD., Futian, Shenzhen, China

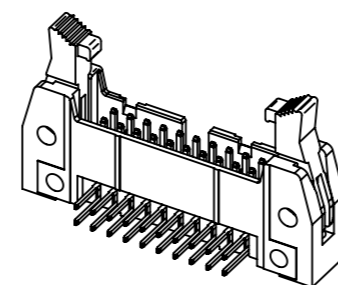




PCB layout
view component side
thickness up to 3,2



see table for coding,
feature arrangement and style




coding style table	
	style A: for connectors 6-pole
	style B: for connectors from 10 to 14-pole
	style C: for connectors from 16 to 64-pole

further information
see: DS 09181200001

full range of P/N's and
dimensions shown on page 2/2

	All Dimensions in mm Original Size DIN A3	Scale 2:1	Free size tol. IEC 60603-13	Ref. Sub. TB 09185XXX901 / 500000087654 / 2015-04-08
	All rights reserved Department EC PD - DE	Created by STORCK	Inspected by TADJE	Standardisation KOHLER
HARTING Electronics GmbH D-32339 Espelkamp		Title SEK 18 male standard conn angled with long lever 4.5	Date 2015-12-21	State Final Release
Type TB	Number 09185XXX901	Doc-Key / ECM-Nr. 100154464/UGD/013/A 50000094595		Rev. A Page 1/2

no. of contacts	performance level			insulator colour	dimensions				
	PL3	PL2	S4		A max.	B	D	E	G
	part number	part number	part number						
06	09 18 506 7901	09 18 506 6901	09 18 506 5901	grey	27,2	16,76	12,45	2,54 x 2 = 5,08	40,3
10	09 18 510 7901	09 18 510 6901	09 18 510 5901		32,3	21,84	17,53	2,54 x 4 = 10,16	45,4
14	09 18 514 7901	09 18 514 6901	09 18 514 5901		37,4	26,92	22,61	2,54 x 6 = 15,24	50,4
16	09 18 516 7901	09 18 516 6901	09 18 516 5901		39,9	29,46	25,15	2,54 x 7 = 17,78	53,0
20	09 18 520 7901	09 18 520 6901	09 18 520 5901		45,0	34,54	30,23	2,54 x 9 = 22,86	58,1
24	09 18 524 7901	09 18 524 6901	09 18 524 5901		50,1	39,62	35,91	2,54 x 11 = 27,94	63,2
26	09 18 526 7901	09 18 526 6901	09 18 526 5901		52,6	42,16	37,85	2,54 x 12 = 30,48	65,7
30	09 18 530 7901	09 18 530 6901	09 18 530 5901		58,0	47,24	43,83	2,54 x 14 = 35,56	68,6
34	09 18 534 7901	09 18 534 6901	09 18 534 5901		62,8	52,32	48,01	2,54 x 16 = 40,64	75,8
40	09 18 540 7901	09 18 540 6901	09 18 540 5901		70,4	59,94	55,63	2,54 x 19 = 48,26	83,5
50	09 18 550 7901	09 18 550 6901	09 18 550 5901		83,1	72,64	68,33	2,54 x 24 = 60,96	96,2
60	09 18 560 7901	09 18 560 6901	09 18 560 5901		95,8	85,34	81,03	2,54 x 29 = 73,66	108,9
64	09 18 564 7901	09 18 564 6901	09 18 564 5901		100,9	90,42	86,11	2,54 x 31 = 78,74	113,9
06	09 18 506 7901 001	09 18 506 6901 001	09 18 506 5901 001		black	27,2	16,76	12,45	2,54 x 2 = 5,08
10	09 18 510 7901 001	09 18 510 6901 001	09 18 510 5901 001	32,3		21,84	17,53	2,54 x 4 = 10,16	45,4
14	09 18 514 7901 001	09 18 514 6901 001	09 18 514 5901 001	37,4		26,92	22,61	2,54 x 6 = 15,24	50,4
16	09 18 516 7901 001	09 18 516 6901 001	09 18 516 5901 001	39,9		29,46	25,15	2,54 x 7 = 17,78	53,0
20	09 18 520 7901 001	09 18 520 6901 001	09 18 520 5901 001	45,0		34,54	30,23	2,54 x 9 = 22,86	58,1
24	09 18 524 7901 001	09 18 524 6901 001	09 18 524 5901 001	50,1		39,62	35,91	2,54 x 11 = 27,94	63,2
26	09 18 526 7901 001	09 18 526 6901 001	09 18 526 5901 001	52,6		42,16	37,85	2,54 x 12 = 30,48	65,7
30	09 18 530 7901 001	09 18 530 6901 001	09 18 530 5901 001	58,0		47,24	43,83	2,54 x 14 = 35,56	68,6
34	09 18 534 7901 001	09 18 534 6901 001	09 18 534 5901 001	62,8		52,32	48,01	2,54 x 16 = 40,64	75,8
40	09 18 540 7901 001	09 18 540 6901 001	09 18 540 5901 001	70,4		59,94	55,63	2,54 x 19 = 48,26	83,5
50	09 18 550 7901 001	09 18 550 6901 001	09 18 550 5901 001	83,1		72,64	68,33	2,54 x 24 = 60,96	96,2
60	09 18 560 7901 001	09 18 560 6901 001	09 18 560 5901 001	95,8		85,34	81,03	2,54 x 29 = 73,66	108,9
64	09 18 564 7901 001	09 18 564 6901 001	09 18 564 5901 001	100,9		90,42	86,11	2,54 x 31 = 78,74	113,9

	All rights reserved Department EC PD - DE	Created by STORCK		Inspected by TADJE	Standardisation KOHLER	Date 2015-12-21	State Final Release
	Title SEK 18 male standard conn angled with long lever 4.5						Doc-Key / ECM-Nr. 100154464/UGD/013/A 50000094595
HARTING Electronics GmbH D-32339 Espelkamp		Type TB	Number 09185XXX901			Rev. A	Page 2/2