



Chipsmall Limited consists of a professional team with an average of over 10 year of expertise in the distribution of electronic components. Based in Hongkong, we have already established firm and mutual-benefit business relationships with customers from,Europe,America and south Asia,supplying obsolete and hard-to-find components to meet their specific needs.

With the principle of “Quality Parts,Customers Priority,Honest Operation,and Considerate Service”,our business mainly focus on the distribution of electronic components. Line cards we deal with include Microchip,ALPS,ROHM,Xilinx,Pulse,ON,Everlight and Freescale. Main products comprise IC,Modules,Potentiometer,IC Socket,Relay,Connector.Our parts cover such applications as commercial,industrial, and automotives areas.

We are looking forward to setting up business relationship with you and hope to provide you with the best service and solution. Let us make a better world for our industry!



Contact us

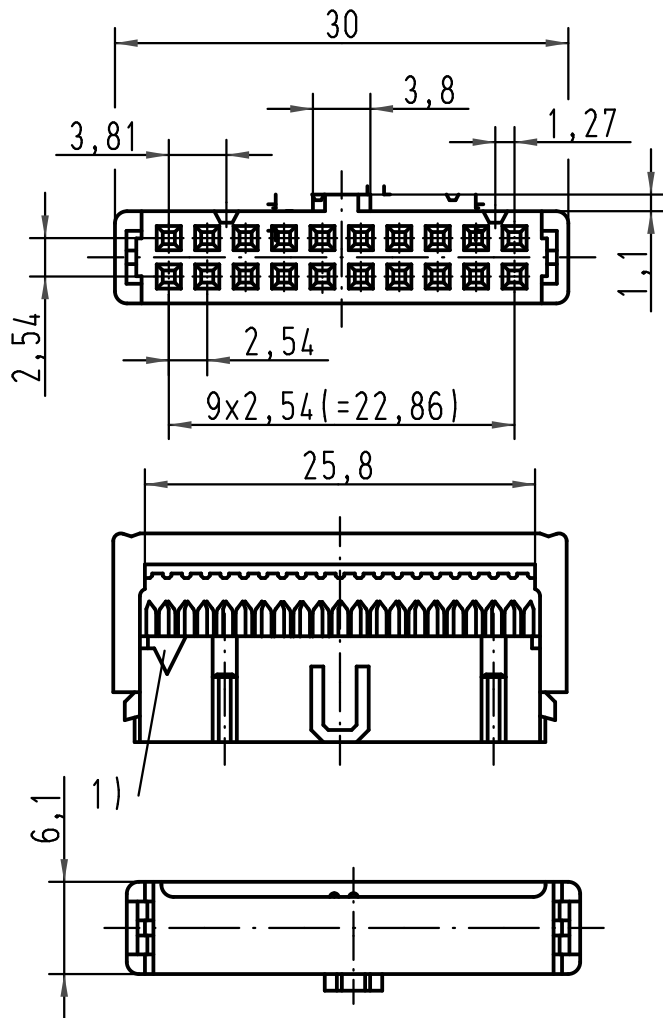
Tel: +86-755-8981 8866 Fax: +86-755-8427 6832

Email & Skype: info@chipsmall.com Web: www.chipsmall.com

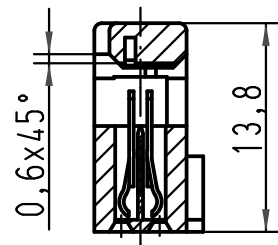
Address: A1208, Overseas Decoration Building, #122 Zhenhua RD., Futian, Shenzhen, China



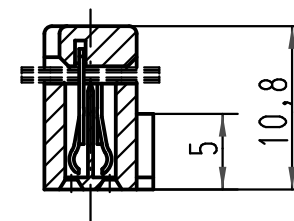
5 4 3 2 1



vorverrastet
pre assembled
preassemble



verrastet
fitted
assemble



- 1) Markierung erster Kontakt, Ader 1 des Flachkabels
- 1) Contact no.1, 1st wire of flat cable
- 1) Contact no.1, repère 1 du câble

A	0918 520 5803 58U	0,76 μm Au	Bulk packaging MOQ = 5000 pcs	All Dimensions in mm Original Size DIN A 4			Techn. Character.			Nicht tolerierte Masse/ Free size tolerances					
	0918 520 6803 58U	2					Detail.			Dat.		Name			
	0918 520 7803 58U	3					Insp.			Stand.		Massstab/ Scale			
	0918 520 5803	0,76 μm Au	N.A.	33797			10/08/06			PK					
	0918 520 6803	2	N.A.	33788			24/07/06			PK					
	0918 520 7803	3	N.A.	26570			01-FEB-00			JB					
Bestell-Nr. Part-No. Reference		Anforderungsstufe Performance level Niveau de qualite	Index Designation		Mod.		Dat.		Name		HARTING EURL F-95972 Paris 		TB 09 18 520 X803 Sub.		Blatt/ page 1/1