



Chipsmall Limited consists of a professional team with an average of over 10 year of expertise in the distribution of electronic components. Based in Hongkong, we have already established firm and mutual-benefit business relationships with customers from,Europe,America and south Asia,supplying obsolete and hard-to-find components to meet their specific needs.

With the principle of "Quality Parts,Customers Priority,Honest Operation,and Considerate Service",our business mainly focus on the distribution of electronic components. Line cards we deal with include Microchip,ALPS,ROHM,Xilinx,Pulse,ON,Everlight and Freescale. Main products comprise IC,Modules,Potentiometer,IC Socket,Relay,Connector.Our parts cover such applications as commercial,industrial, and automotives areas.

We are looking forward to setting up business relationship with you and hope to provide you with the best service and solution. Let us make a better world for our industry!



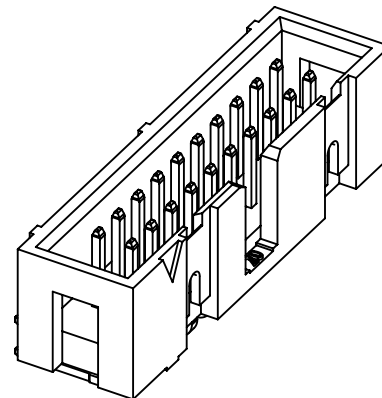
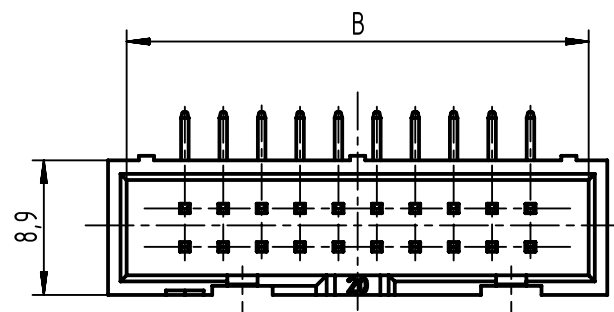
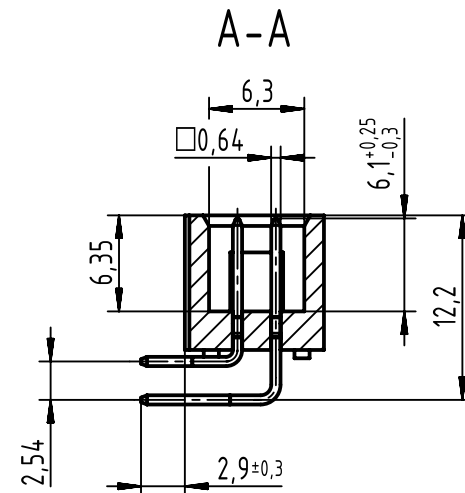
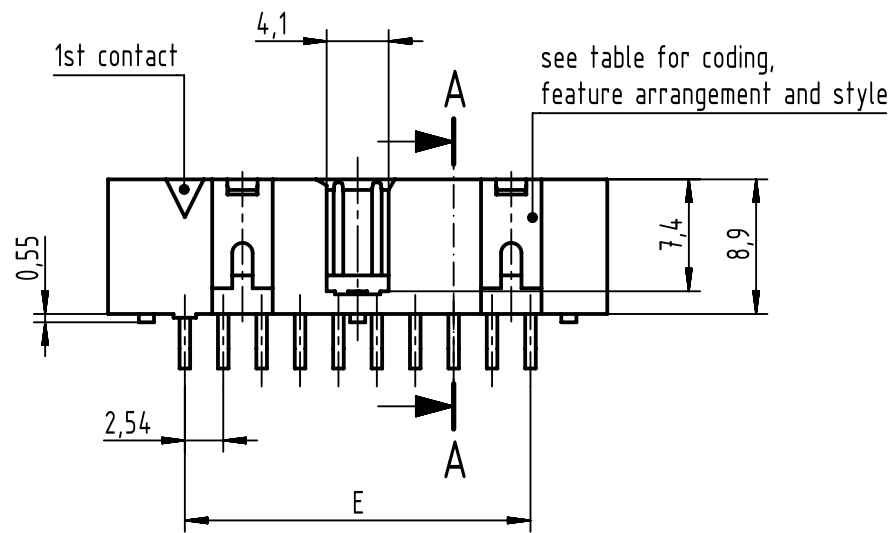
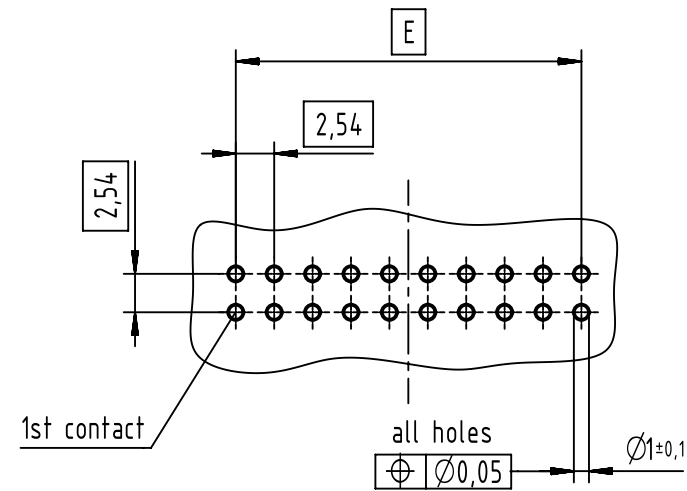
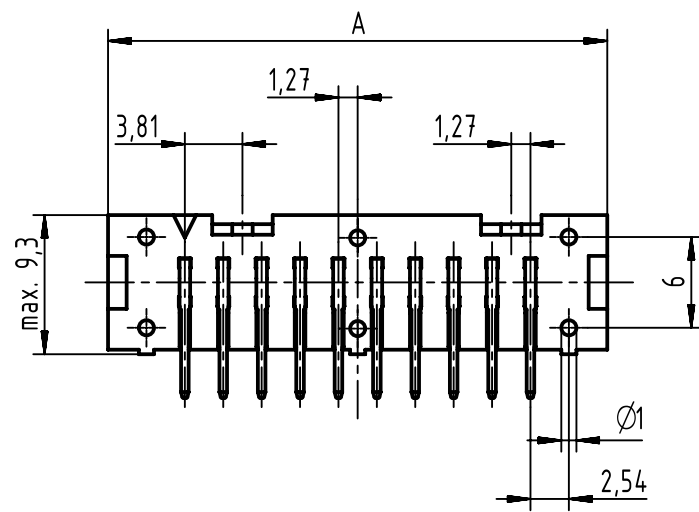
Contact us

Tel: +86-755-8981 8866 Fax: +86-755-8427 6832

Email & Skype: info@chipsmall.com Web: www.chipsmall.com

Address: A1208, Overseas Decoration Building, #122 Zhenhua RD., Futian, Shenzhen, China





PCB layout
view component side
thickness 1,6


further more information
see DS 09181100001

full range of P/N's and
dimensions shown on page 2/2

coding style table	
	style A: for connectors 6-pole
	style B: for connectors from 10 to 14-pole
	style C: for connectors from 16 to 64-pole

	All rights reserved Department EC PD - DE	Created by STORCK	Inspected by LEHNERT	Standardisation HOFFMANN	Date 2015-12-07	State Final Release	Ref. Sub. TB 09185XXX323 / 50000068837 / 2014-05-16
	HARTING Electronics GmbH D-32339 Espelkamp	Title SEK 18 male low profile angled solder 2.9			Type TB	Number 09185XXX323	Doc-Key / ECM-Nr. 100154466/UGD/007/A 50000094890
						Rev. A	Page 1/2

no. of contacts	performance level			insulator colour	dimensions			
	PL3	PL2	S4		A max.	B	E	
	part number	part number	part number					
06	09 18 506 7323	09 18 506 6323	09 18 506 5323	grey	15,4	12,78	2,54 x 2 = 5,08	
10	09 18 510 7323	09 18 510 6323	09 18 510 5323		20,5	17,86	2,54 x 4 = 10,16	
14	09 18 514 7323	09 18 514 6323	09 18 514 5323		25,6	22,94	2,54 x 6 = 15,24	
16	09 18 516 7323	09 18 516 6323	09 18 516 5323		28,1	25,48	2,54 x 7 = 17,78	
20	09 18 520 7323	09 18 520 6323	09 18 520 5323		33,2	30,56	2,54 x 9 = 22,86	
26	09 18 526 7323	09 18 526 6323	09 18 526 5323		40,8	38,18	2,54 x 12 = 30,48	
30	09 18 530 7323	09 18 530 6323	09 18 530 5323		45,9	43,26	2,54 x 14 = 35,56	
34	09 18 534 7323	09 18 534 6323	09 18 534 5323		51,0	48,34	2,54 x 16 = 40,64	
40	09 18 540 7323	09 18 540 6323	09 18 540 5323		58,6	55,96	2,54 x 19 = 48,26	
50	09 18 550 7323	09 18 550 6323	09 18 550 5323		71,5	68,66	2,54 x 24 = 60,96	
60	09 18 560 7323	09 18 560 6323	09 18 560 5323		84,2	81,36	2,54 x 29 = 73,66	
64	09 18 564 7323	09 18 564 6323	09 18 564 5323		89,3	86,44	2,54 x 31 = 78,74	
06	09 18 506 7323 001	09 18 506 6323 001	09 18 506 5323 001		black	15,4	12,78	2,54 x 2 = 5,08
10	09 18 510 7323 001	09 18 510 6323 001	09 18 510 5323 001			20,5	17,86	2,54 x 4 = 10,16
14	09 18 514 7323 001	09 18 514 6323 001	09 18 514 5323 001	25,6		22,94	2,54 x 6 = 15,24	
16	09 18 516 7323 001	09 18 516 6323 001	09 18 516 5323 001	28,1		25,48	2,54 x 7 = 17,78	
20	09 18 520 7323 001	09 18 520 6323 001	09 18 520 5323 001	33,2		30,56	2,54 x 9 = 22,86	
26	09 18 526 7323 001	09 18 526 6323 001	09 18 526 5323 001	40,8		38,18	2,54 x 12 = 30,48	
30	09 18 530 7323 001	09 18 530 6323 001	09 18 530 5323 001	45,9		43,26	2,54 x 14 = 35,56	
34	09 18 534 7323 001	09 18 534 6323 001	09 18 534 5323 001	51,0		48,34	2,54 x 16 = 40,64	
40	09 18 540 7323 001	09 18 540 6323 001	09 18 540 5323 001	58,6		55,96	2,54 x 19 = 48,26	
50	09 18 550 7323 001	09 18 550 6323 001	09 18 550 5323 001	71,5		68,66	2,54 x 24 = 60,96	
60	09 18 560 7323 001	09 18 560 6323 001	09 18 560 5323 001	84,2		81,36	2,54 x 29 = 73,66	
64	09 18 564 7323 001	09 18 564 6323 001	09 18 564 5323 001	89,3		86,44	2,54 x 31 = 78,74	

	All Dimensions in mm Original Size DIN A3	Scale 1:1	Free size tol.	Ref. Sub. TB 09185XXX323 / 50000068837 / 2014-05-16	
	All rights reserved Department EC PD - DE	Created by STORCK	Inspected by LEHNERT	Standardisation HOFFMANN	Date 2015-12-07
HARTING Electronics GmbH D-32339 Espelkamp		Title SEK 18 male low profile angled solder 2.9			Doc-Key / ECM-Nr. 100154466/UGD/007/A 50000094890
		Type TB	Number 09185XXX323	Rev. A	Page 2/2