



Chipsmall Limited consists of a professional team with an average of over 10 year of expertise in the distribution of electronic components. Based in Hongkong, we have already established firm and mutual-benefit business relationships with customers from,Europe,America and south Asia,supplying obsolete and hard-to-find components to meet their specific needs.

With the principle of “Quality Parts,Customers Priority,Honest Operation,and Considerate Service”,our business mainly focus on the distribution of electronic components. Line cards we deal with include Microchip,ALPS,ROHM,Xilinx,Pulse,ON,Everlight and Freescale. Main products comprise IC,Modules,Potentiometer,IC Socket,Relay,Connector.Our parts cover such applications as commercial,industrial, and automotives areas.

We are looking forward to setting up business relationship with you and hope to provide you with the best service and solution. Let us make a better world for our industry!



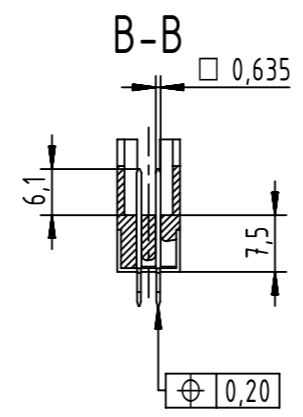
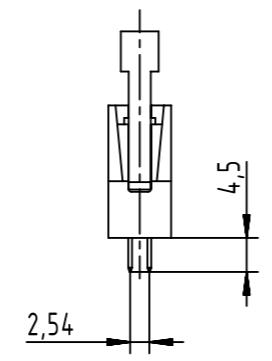
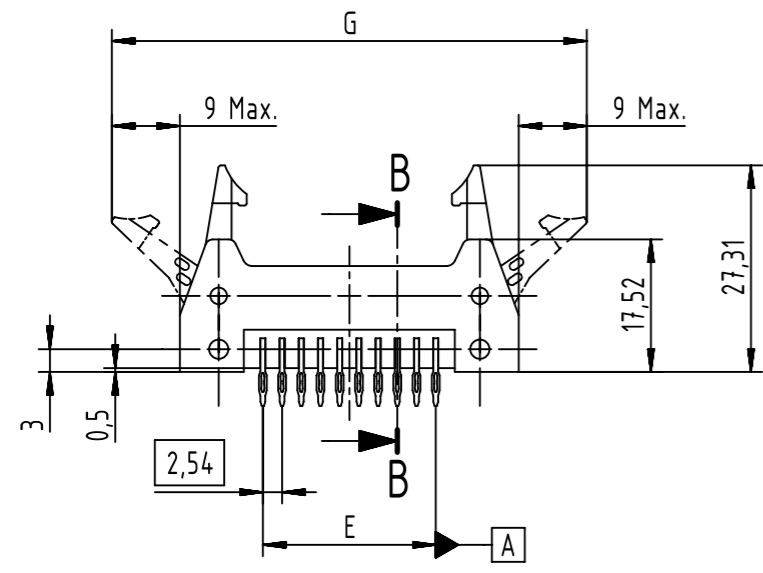
Contact us

Tel: +86-755-8981 8866 Fax: +86-755-8427 6832

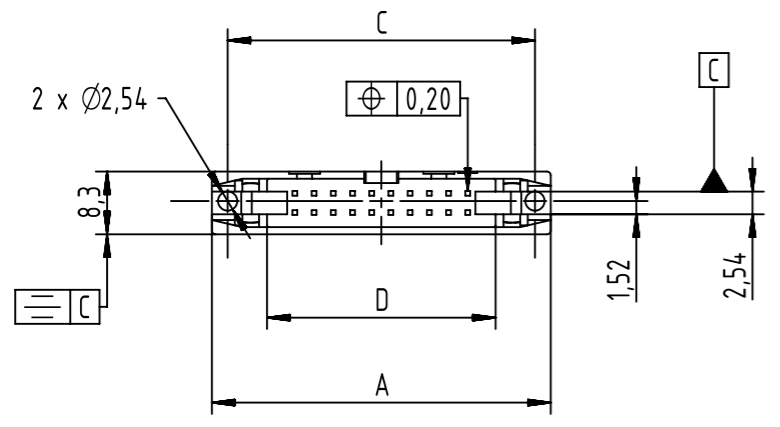
Email & Skype: info@chipsmall.com Web: www.chipsmall.com

Address: A1208, Overseas Decoration Building, #122 Zhenhua RD., Futian, Shenzhen, China

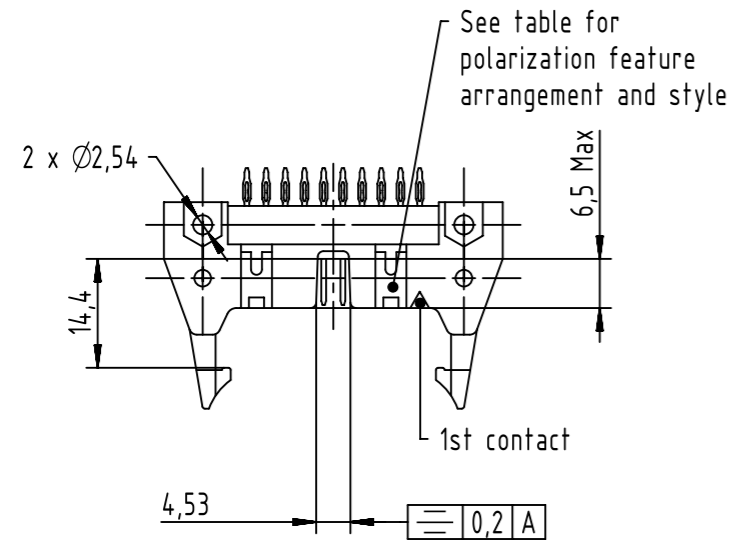
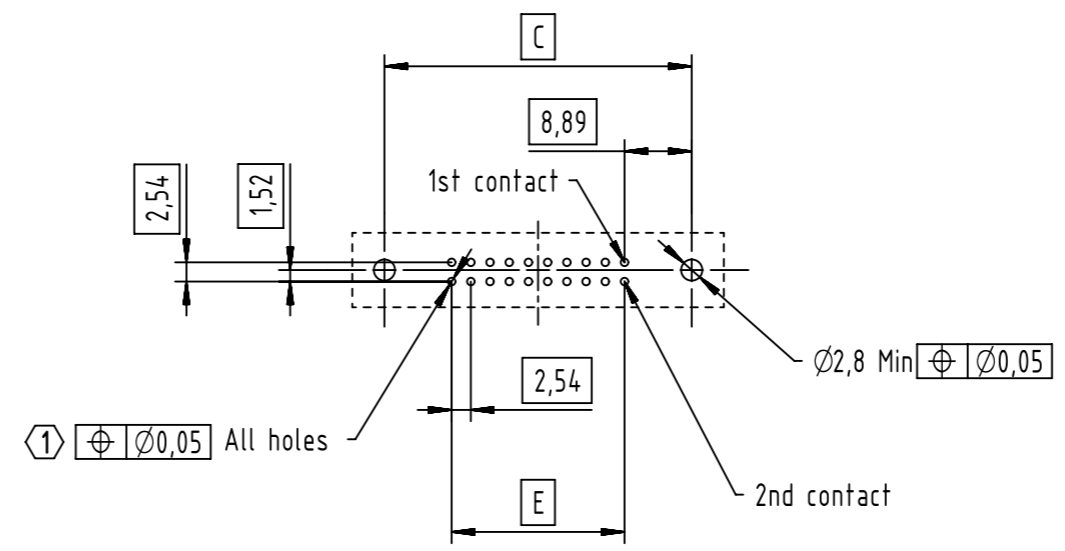




Polarization style table	
	Style A: For connectors 10 poles
	Style B: For connectors from 14 to 64 poles



PC-board layout view component side



See table for polarization feature arrangement and style

① Recommended plated through holes and further information see: DS 0918500001

	All Dimensions in mm Original Size DIN A3	Scale 1:1	Free size tol.	Ref.
	All rights reserved Department EC PD - FR	Created by DOUGE	Inspected by BAGDIKIAN	Standardisation HOFFMANN
HARTING Electronics GmbH D-32339 Espelkamp	Title SEK male standard press-in long lever			Doc-Key / ECM-Nr. 100548207/UGD/001/A 50000065736
	Type TB	Number 09185XXX909	Rev. A	Page 1/2

Performance Level								
S4 : 0,76µm Au or equivalent PdNi	PL2 : 250 mating Cycles 4 day Gas Tests	PL3 : 50 mating Cycles No Gas Tests	Dimensions (mm)					
Nb of Contacts	Part Number	Part Number	Part Number	A	C	D	E	G
10	0918 510 5909	0918 510 6909	0918 510 7909	32,11	27,94	17,91	2,54 x 4 = 10,16	50,11
14	0918 514 5909	0918 514 6909	0918 514 7909	37,19	33,02	22,99	2,54 x 6 = 15,24	55,19
16	0918 516 5909	0918 516 6909	0918 516 7909	39,73	35,56	25,53	2,54 x 7 = 17,78	57,73
20	0918 520 5909	0918 520 6909	0918 520 7909	44,81	40,64	30,61	2,54 x 9 = 22,86	62,81
26	0918 526 5909	0918 526 6909	0918 526 7909	52,43	48,26	38,23	2,54 x 12 = 30,48	70,43
34	0918 534 5909	0918 534 6909	0918 534 7909	62,59	58,42	48,39	2,54 x 16 = 40,64	80,59
40	0918 540 5909	0918 540 6909	0918 540 7909	70,21	66,04	56,01	2,54 x 19 = 48,26	88,21
50	0918 550 5909	0918 550 6909	0918 550 7909	82,91	78,74	68,71	2,54 x 24 = 60,96	100,91
60	0918 560 5909	0918 560 6909	0918 560 7909	95,61	91,44	81,41	2,54 x 29 = 73,66	113,61
64	0918 564 5909	0918 564 6909	0918 564 7909	100,69	96,52	86,49	2,54 x 31 = 78,74	118,69

	All Dimensions in mm Original Size DIN A3	Scale 1:1	Free size tol.		Ref.
	All rights reserved Department EC PD - FR	Created by DOUGE	Inspected by BAGDIKIAN	Standardisation HOFFMANN	Date 2013-09-05
HARTING Electronics GmbH D-32339 Espelkamp		Title SEK male standard press-in long lever			State Final Release
		Type TB	Number 09185XXX909		Doc-Key / ECM-Nr. 100548207/UGD/001/A 50000065736
					Rev. A Page 2/2