



Chipsmall Limited consists of a professional team with an average of over 10 year of expertise in the distribution of electronic components. Based in Hongkong, we have already established firm and mutual-benefit business relationships with customers from,Europe,America and south Asia,supplying obsolete and hard-to-find components to meet their specific needs.

With the principle of "Quality Parts,Customers Priority,Honest Operation,and Considerate Service",our business mainly focus on the distribution of electronic components. Line cards we deal with include Microchip,ALPS,ROHM,Xilinx,Pulse,ON,Everlight and Freescale. Main products comprise IC,Modules,Potentiometer,IC Socket,Relay,Connector.Our parts cover such applications as commercial,industrial, and automotives areas.

We are looking forward to setting up business relationship with you and hope to provide you with the best service and solution. Let us make a better world for our industry!



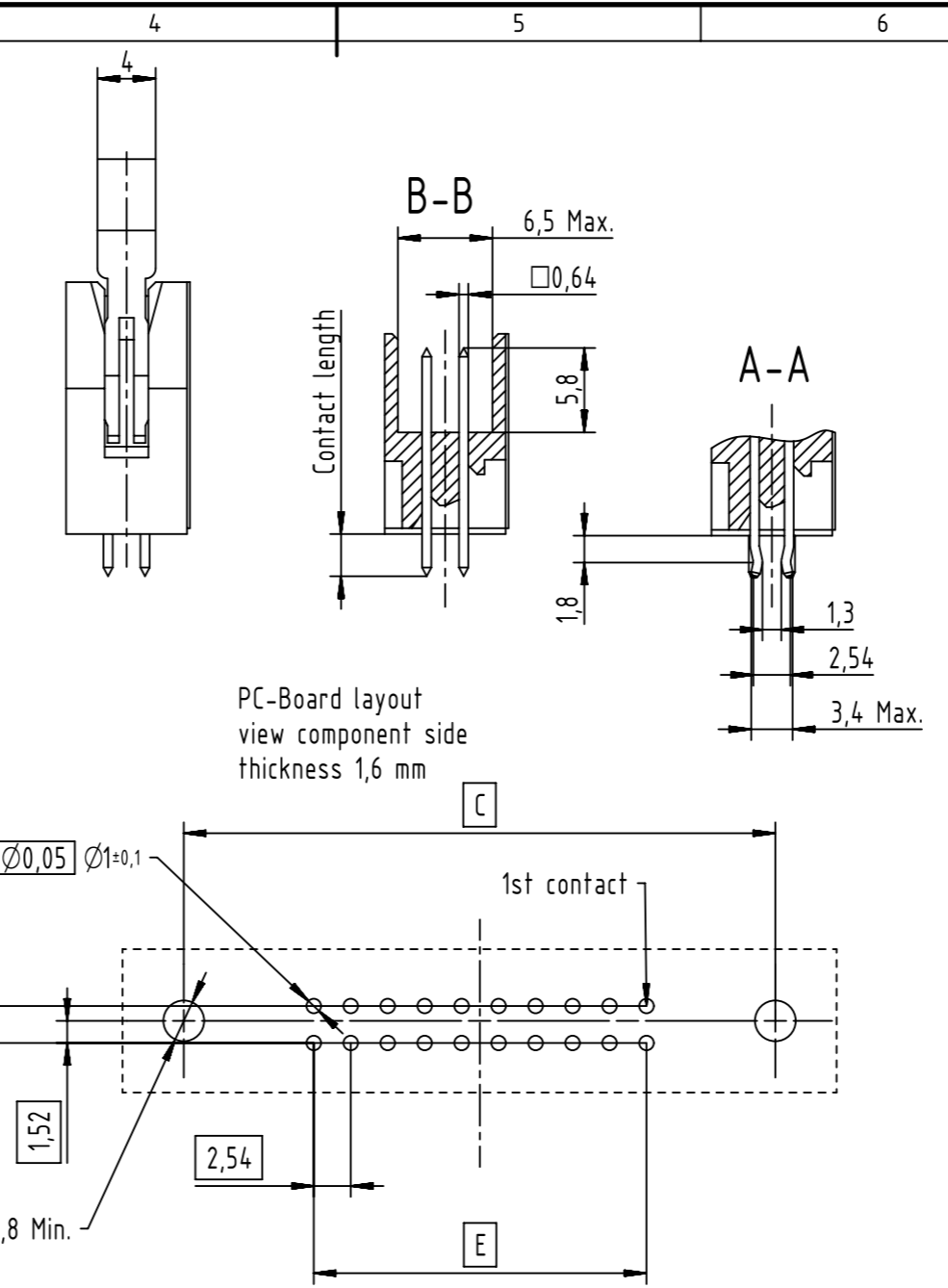
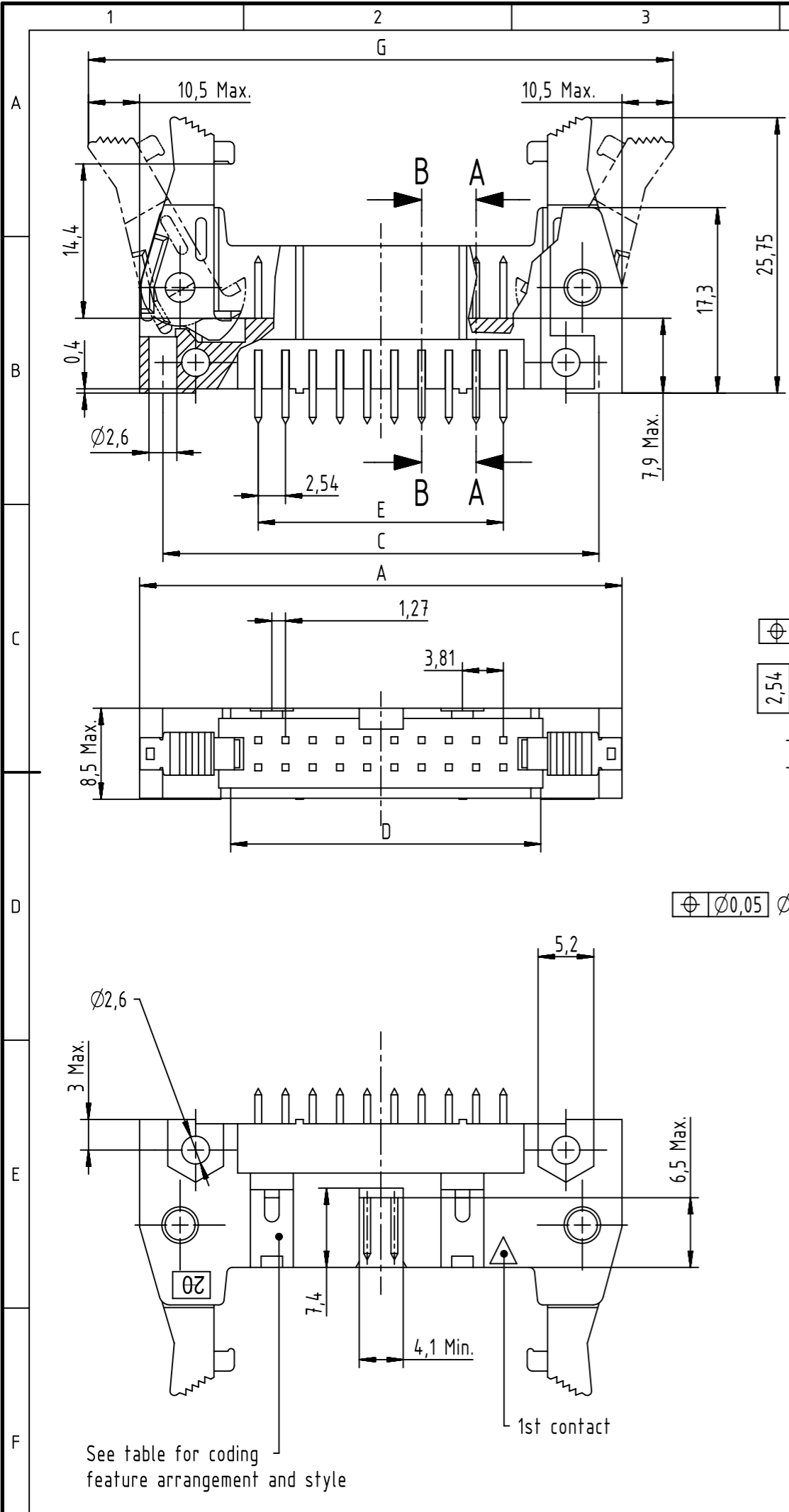
Contact us

Tel: +86-755-8981 8866 Fax: +86-755-8427 6832

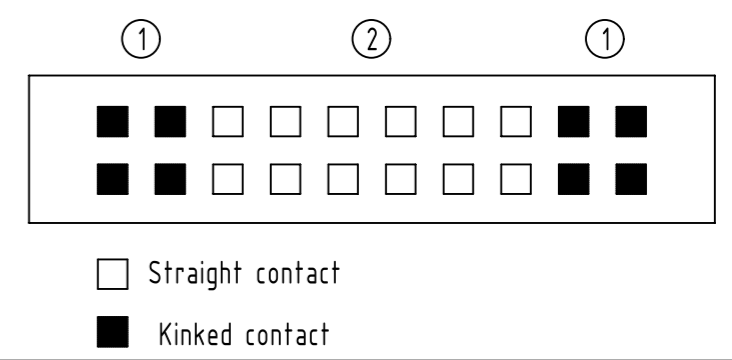
Email & Skype: info@chipsmall.com Web: www.chipsmall.com

Address: A1208, Overseas Decoration Building, #122 Zhenhua RD., Futian, Shenzhen, China





Coding style table	
	Style A: For connector 6 poles
	Style B: For connectors from 10 to 14 poles
	Style C: For connectors from 16 to 64 poles



① Kinked pins
PCB thickness from 1,50 to 1,94 mm after Cu+Sn plating with non remelted plated through holes Ø0,85 to Ø1,05 mm Maximum insertion force =125 N Minimum retention force = 3 N
② Non kinked pins
Solder pins for PCB connections Ø1+/-0,1 according to IEC 60603-13

-Find further technical information on drawings:
 DS 09181200001 for 09185xxx004
 DS 09191230202 for 09195xxx004

	All Dimensions in mm Original Size DIN A3	Scale 2:1	Free size tol.	Ref.
All rights reserved	Created by DOUGE	Inspected by BAGDIKIAN	Standardisation HOFFMANN	Date 2013-11-07
Department EC PD - FR	Title SEK male straight with kinked pins and long levers			State Final Release
HARTING Electronics GmbH D-32339 Espelkamp	Type TB	Number 091X5XXX004	Doc-Key / ECM-Nr. 100553242/UGD/001/A 50000067147	Rev. A
				Page 1/2

See table for coding feature arrangement and style

Performance Level				Dimensions (mm)						
	PL3 : 50 mating Cycles No Gas Test	PL2 : 250 mating Cycles 4 day Gas Test	S4 : 0,76µm Au or equivalent PdNi							
Nb of Contacts	Part Number	Part Number	Part Number	Solder process	Contact Length ±0,3(mm)	A Max	C	D	E	G
06	0918 506 7004	0918 506 6004	0918 506 5004	wave Soldering	2,9	27,2	22,86	12,45	2,54 x 2 = 5,08	40,3
10	0918 510 7004	0918 510 6004	0918 510 5004			32,3	27,94	17,53	2,54 x 4 = 10,16	45,4
14	0918 514 7004	0918 514 6004	0918 514 5004			37,4	33,02	22,61	2,54 x 6 = 15,24	50,4
16	0918 516 7004	0918 516 6004	0918 516 5004			39,9	35,56	25,15	2,54 x 7 = 17,78	53,0
20	0918 520 7004	0918 520 6004	0918 520 5004			45,0	40,64	30,23	2,54 x 9 = 22,86	58,1
24	0918 524 7004	0918 524 6004	0918 524 5004			50,1	45,72	35,91	2,54 x 11 = 27,94	63,2
26	0918 526 7004	0918 526 6004	0918 526 5004			52,6	48,26	37,85	2,54 x 12 = 30,48	65,7
30	0918 530 7004	0918 530 6004	0918 530 5004			58,0	53,34	43,83	2,54 x 14 = 35,56	68,6
34	0918 534 7004	0918 534 6004	0918 534 5004			62,8	58,42	48,01	2,54 x 16 = 40,64	75,8
40	0918 540 7004	0918 540 6004	0918 540 5004			70,4	66,04	55,63	2,54 x 19 = 48,26	83,5
50	0918 550 7004	0918 550 6004	0918 550 5004			83,1	78,74	68,33	2,54 x 24 = 60,96	96,2
60	0918 560 7004	0918 560 6004	0918 560 5004			95,8	91,44	81,03	2,54 x 29 = 73,66	108,9
64	0918 564 7004	0918 564 6004	0918 564 5004			100,9	96,52	86,11	2,54 x 31 = 78,74	113,9
06	0919 506 7004	0919 506 6004	0919 506 5004	Wave & Reflow Soldering	2,9	27,2	22,86	12,45	2,54 x 2 = 5,08	40,3
10	0919 510 7004	0919 510 6004	0919 510 5004			32,3	27,94	17,53	2,54 x 4 = 10,16	45,4
14	0919 514 7004	0919 514 6004	0919 514 5004			37,4	33,02	22,61	2,54 x 6 = 15,24	50,4
16	0919 516 7004	0919 516 6004	0919 516 5004			39,9	35,56	25,15	2,54 x 7 = 17,78	53,0
20	0919 520 7004	0919 520 6004	0919 520 5004			45,0	40,64	30,23	2,54 x 9 = 22,86	58,1
24	0919 524 7004	0919 524 6004	0919 524 5004			50,1	45,72	35,91	2,54 x 11 = 27,94	63,2
26	0919 526 7004	0919 526 6004	0919 526 5004			52,6	48,26	37,85	2,54 x 12 = 30,48	65,7
30	0919 530 7004	0919 530 6004	0919 530 5004			58,0	53,34	43,83	2,54 x 14 = 35,56	68,6
34	0919 534 7004	0919 534 6004	0919 534 5004			62,8	58,42	48,01	2,54 x 16 = 40,64	75,8
40	0919 540 7004	0919 540 6004	0919 540 5004			70,4	66,04	55,63	2,54 x 19 = 48,26	83,5
50	0919 550 7004	0919 550 6004	0919 550 5004			83,1	78,74	68,33	2,54 x 24 = 60,96	96,2
60	0919 560 7004	0919 560 6004	0919 560 5004			95,8	91,44	81,03	2,54 x 29 = 73,66	108,9
64	0919 564 7004	0919 564 6004	0919 564 5004			100,9	96,52	86,11	2,54 x 31 = 78,74	113,9

	All Dimensions in mm Original Size DIN A3	Scale 2:1	Free size tol.		Ref.
	All rights reserved Department EC PD - FR	Created by DOUGE	Inspected by BAGDIKIAN	Standardisation HOFFMANN	Date 2013-11-07
HARTING Electronics GmbH D-32339 Espelkamp		Title SEK male straight with kinked pins and long levers			State Final Release
		Type TB	Number 091X5XXX004		Doc-Key / ECM-Nr. 100553242/UGD/001/A 50000067147
					Rev. A Page 2/2