



Chipsmall Limited consists of a professional team with an average of over 10 year of expertise in the distribution of electronic components. Based in Hongkong, we have already established firm and mutual-benefit business relationships with customers from,Europe,America and south Asia,supplying obsolete and hard-to-find components to meet their specific needs.

With the principle of “Quality Parts,Customers Priority,Honest Operation,and Considerate Service”,our business mainly focus on the distribution of electronic components. Line cards we deal with include Microchip,ALPS,ROHM,Xilinx,Pulse,ON,Everlight and Freescale. Main products comprise IC,Modules,Potentiometer,IC Socket,Relay,Connector.Our parts cover such applications as commercial,industrial, and automotives areas.

We are looking forward to setting up business relationship with you and hope to provide you with the best service and solution. Let us make a better world for our industry!



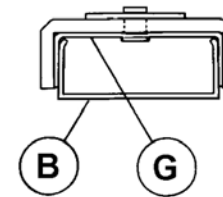
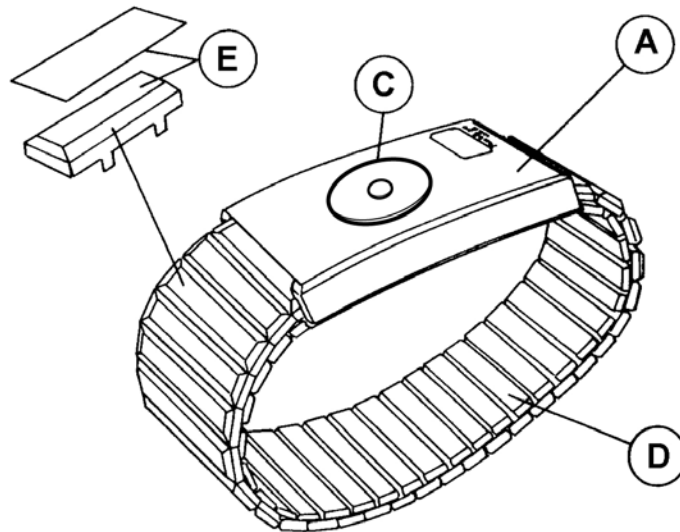
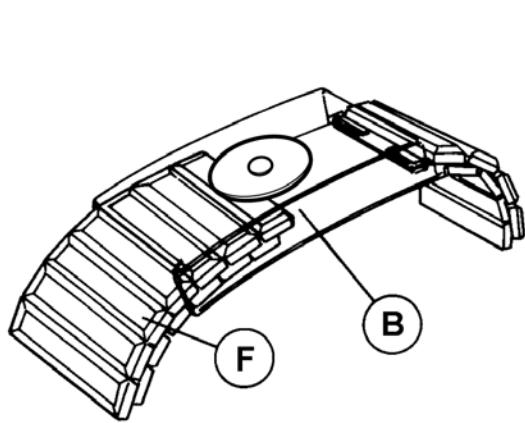
## Contact us

Tel: +86-755-8981 8866 Fax: +86-755-8427 6832

Email & Skype: info@chipsmall.com Web: www.chipsmall.com

Address: A1208, Overseas Decoration Building, #122 Zhenhua RD., Futian, Shenzhen, China





- A. Fixed black ABS cap with slotted opening to allow size adjustment.
- B. 300 Series Stainless Steel Backplate forms channel to hold up to 10 links of band allowing size adjustment.
- C. Machined nickel plated steel stud. Fits Desco's MagSnap® coil cords. Coil cord disengages from from snap with 1-5 lbs. of perpendicular force.
- D. Metal expansion wrist strap. Inside links are constructed of 300 Series Stainless Steel. Width of links is 0.630". Minimum Circumference: 5.75" and Maximum Circumference: 13".

- E. 0.002" polyphenylsulfone sheet is laminated to each link. Provides >5,000 volt RMS insulation per ASTM D149. Scratch resistant. Color onyx (black).
- F. Size is adjusted by sliding 1 to 10 links of the band into the backplate "C" channel.
- G. 300 Series Stainless Steel clip for electrical contact between stud and backplate.
- H. Underwriters Laboratory listing 90P1C.

**Standard items that include MagSnap Metal Expansion Wristbands**

Item	Description	Cord Style	Accessories
<a href="#">09186</a>	Wristband	N/A	None
<a href="#">09187</a>	Wrist Strap	<a href="#">6 Foot MagSnap® Coil Cord</a>	Alligator Clip
<a href="#">09188</a>	Wrist Strap	<a href="#">12 Foot MagSnap® Coil Cord</a>	Alligator Clip
<a href="#">09204</a>	Wrist Strap	<a href="#">6 Foot MagSnap® Coil Cord with Right Angled Banana</a>	None
<a href="#">09205</a>	Wrist Strap	<a href="#">12 Foot MagSnap® Coil Cord with Right Angled Banana</a>	None

Meets ANSI/ESD S1.1 wristband resistance interior < 100 kilohms (< 1 x 10<sup>2</sup> ohms)  
 Meets ANSI/ESD S1.1 wristband resistance exterior >10 megohms (> 1 x 10<sup>7</sup> ohms)

Meets ANSI/ESD S20.20 and Wrist Strap standard ANSI/ESD S1.1.



Made in the United States of America

Unless otherwise noted, tolerance ± 10%

Specifications and procedures subject to change without notice.

**MagSnap® Metal Expansion Wristband**

DESCO WEST: 3651 WALNUT AVE., CHINO, CA 91710 WEB SITE: [Desco.com](http://Desco.com)  
 PHONE (909) 627-8178  
 DESCO EAST: ONE COLGATE WAY, CANTON, MA 02021-1407  
 PHONE (781) 821-8370

**DRAWING NUMBER**  
09204

**DATE:**  
September  
2013

