



Chipsmall Limited consists of a professional team with an average of over 10 year of expertise in the distribution of electronic components. Based in Hongkong, we have already established firm and mutual-benefit business relationships with customers from,Europe,America and south Asia,supplying obsolete and hard-to-find components to meet their specific needs.

With the principle of “Quality Parts,Customers Priority,Honest Operation,and Considerate Service”,our business mainly focus on the distribution of electronic components. Line cards we deal with include Microchip,ALPS,ROHM,Xilinx,Pulse,ON,Everlight and Freescale. Main products comprise IC,Modules,Potentiometer,IC Socket,Relay,Connector.Our parts cover such applications as commercial,industrial, and automotives areas.

We are looking forward to setting up business relationship with you and hope to provide you with the best service and solution. Let us make a better world for our industry!



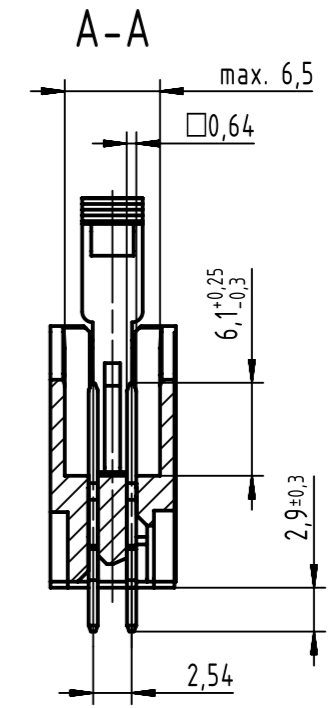
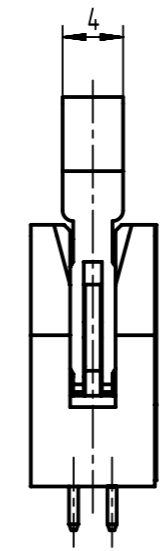
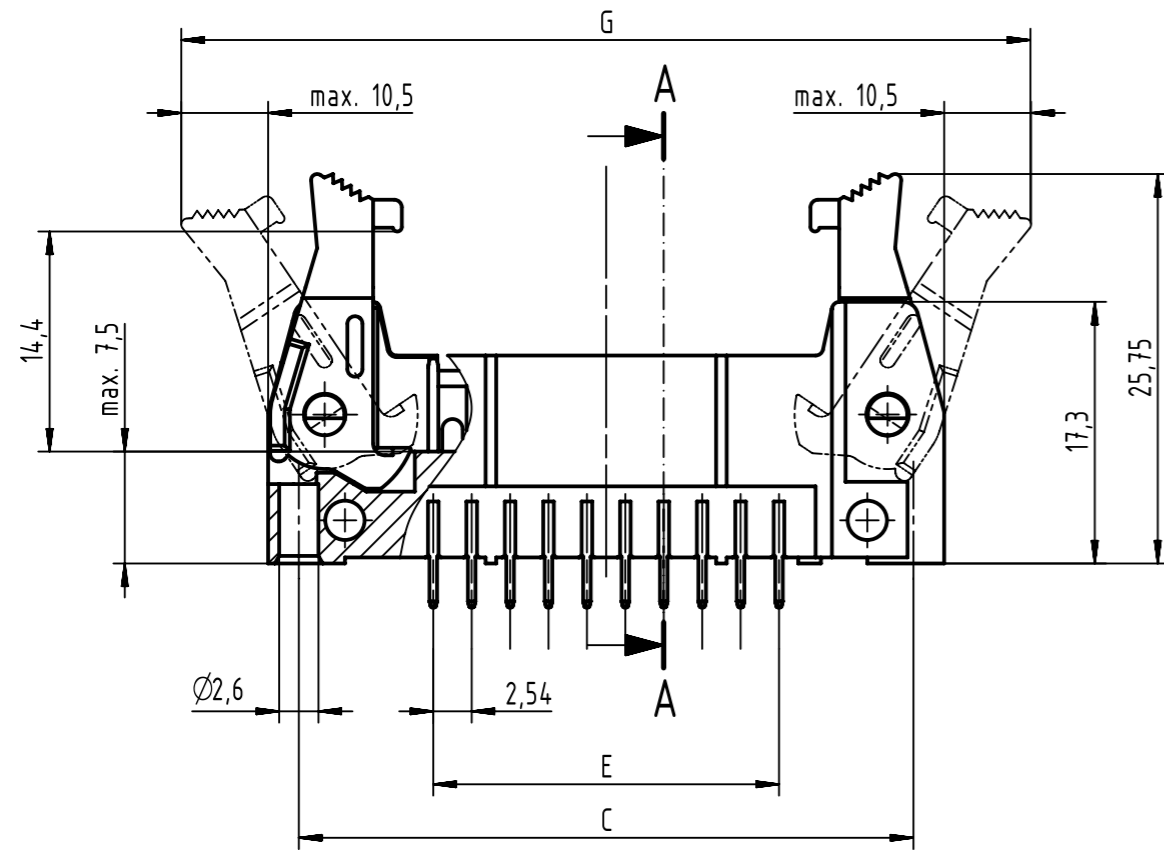
Contact us

Tel: +86-755-8981 8866 Fax: +86-755-8427 6832

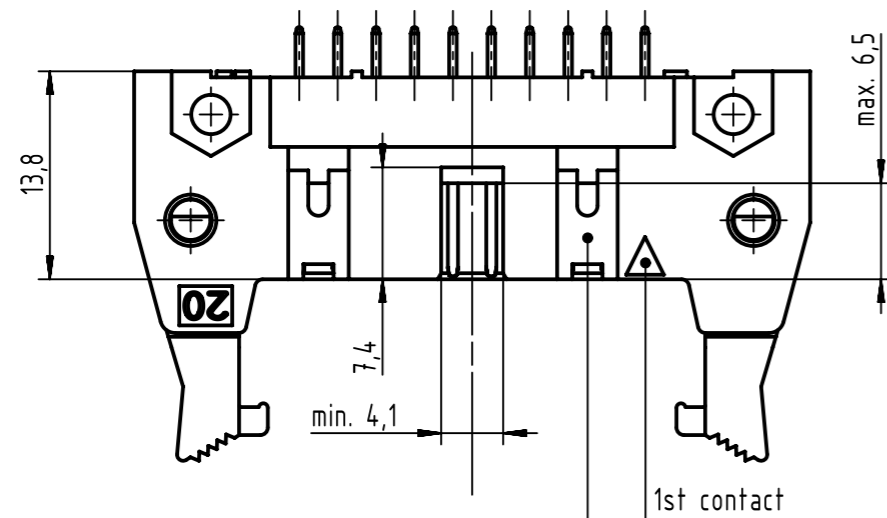
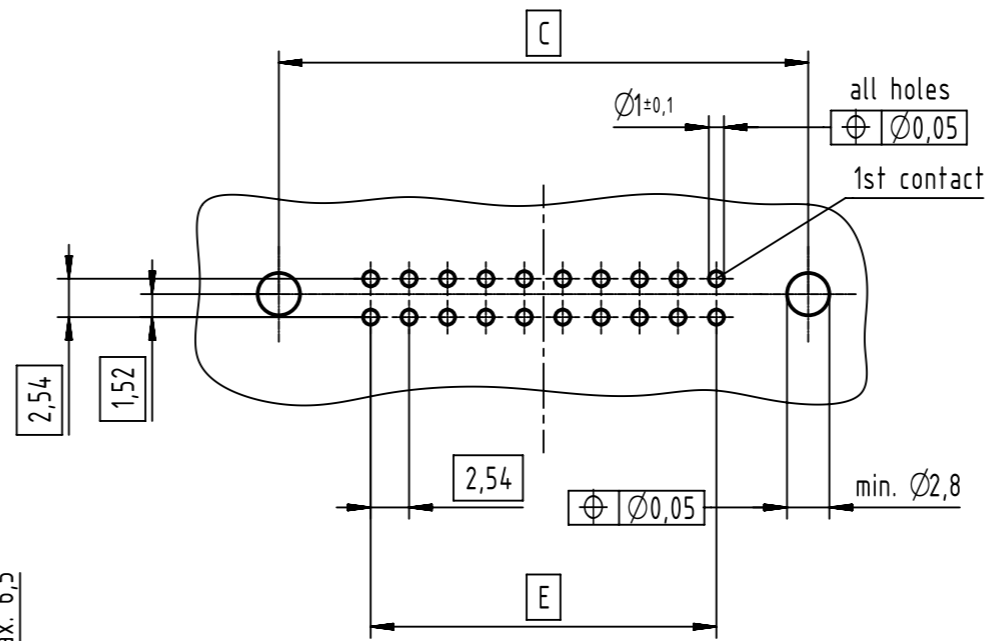
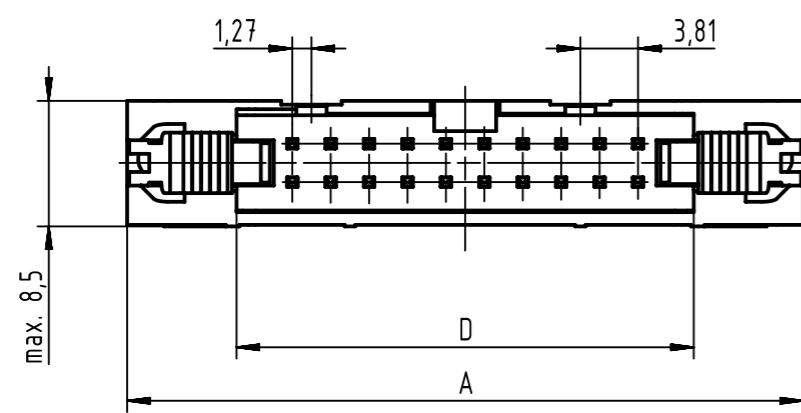
Email & Skype: info@chipsmall.com Web: www.chipsmall.com

Address: A1208, Overseas Decoration Building, #122 Zhenhua RD., Futian, Shenzhen, China

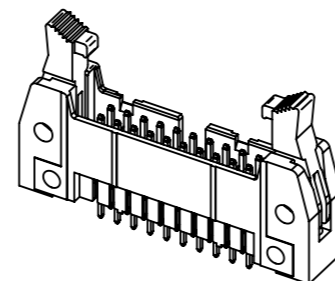




PCB layout
view component side
thickness 1,6



see table for coding,
feature arrangement and style



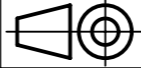
further information
see: DS 09191230202

full range of P/N's and
dimensions shown on page 2/2

coding style table	
	style A: for connectors 6-pole
	style B: for connectors from 10 to 14-pole
	style C: for connectors from 16 to 64-pole

	All Dimensions in mm Original Size DIN A3	Scale 2:1	Free size tol. IEC 60603-13	Ref. Sub. TB 09195XXX904 / 500000087654 / 2015-04-08	
	All rights reserved Department EC PD - DE	Created by STORCK	Inspected by TADJE	Standardisation KOHLER	Date 2015-12-21
HARTING Electronics GmbH D-32339 Espelkamp		Title SEK 19 male standard conn straight with long lever 2.9			State Final Release
		Type TB	Number 09195XXX904		Doc-Key / ECM-Nr. 100154464/UGD/032/A 50000094596
					Rev. A Page 1/2

no. of contacts	performance level			insulator colour	dimensions				
	PL3	PL2	S4		A max.	C	D	E	G
	part number	part number	part number						
06	09 19 506 7904	09 19 506 6904	09 19 506 5904	beige	27,2	22,86	12,45	2,54 x 2 = 5,08	40,3
10	09 19 510 7904	09 19 510 6904	09 19 510 5904		32,3	27,94	17,53	2,54 x 4 = 10,16	45,4
14	09 19 514 7904	09 19 514 6904	09 19 514 5904		37,4	33,02	22,61	2,54 x 6 = 15,24	50,4
16	09 19 516 7904	09 19 516 6904	09 19 516 5904		39,9	35,56	25,15	2,54 x 7 = 17,78	53,0
20	09 19 520 7904	09 19 520 6904	09 19 520 5904		45,0	40,64	30,23	2,54 x 9 = 22,86	58,1
24	09 19 524 7904	09 19 524 6904	09 19 524 5904		50,1	45,72	35,91	2,54 x 11 = 27,94	63,2
26	09 19 526 7904	09 19 526 6904	09 19 526 5904		52,6	48,26	37,85	2,54 x 12 = 30,48	65,7
30	09 19 530 7904	09 19 530 6904	09 19 530 5904		58,0	53,34	43,83	2,54 x 14 = 35,56	68,6
34	09 19 534 7904	09 19 534 6904	09 19 534 5904		62,8	58,42	48,01	2,54 x 16 = 40,64	75,8
40	09 19 540 7904	09 19 540 6904	09 19 540 5904		70,4	66,04	55,63	2,54 x 19 = 48,26	83,5
50	09 19 550 7904	09 19 550 6904	09 19 550 5904		83,1	78,74	68,33	2,54 x 24 = 60,96	96,2
60	09 19 560 7904	09 19 560 6904	09 19 560 5904		95,8	91,44	81,03	2,54 x 29 = 73,66	108,9
64	09 19 564 7904	09 19 564 6904	09 19 564 5904		100,9	96,52	86,11	2,54 x 31 = 78,74	113,9
06	09 19 506 7904 001	09 19 506 6904 001	09 19 506 5904 001		black	27,2	22,86	12,45	2,54 x 2 = 5,08
10	09 19 510 7904 001	09 19 510 6904 001	09 19 510 5904 001	32,3		27,94	17,53	2,54 x 4 = 10,16	45,4
14	09 19 514 7904 001	09 19 514 6904 001	09 19 514 5904 001	37,4		33,02	22,61	2,54 x 6 = 15,24	50,4
16	09 19 516 7904 001	09 19 516 6904 001	09 19 516 5904 001	39,9		35,56	25,15	2,54 x 7 = 17,78	53,0
20	09 19 520 7904 001	09 19 520 6904 001	09 19 520 5904 001	45,0		40,64	30,23	2,54 x 9 = 22,86	58,1
24	09 19 524 7904 001	09 19 524 6904 001	09 19 524 5904 001	50,1		45,72	35,91	2,54 x 11 = 27,94	63,2
26	09 19 526 7904 001	09 19 526 6904 001	09 19 526 5904 001	52,6		48,26	37,85	2,54 x 12 = 30,48	65,7
30	09 19 530 7904 001	09 19 530 6904 001	09 19 530 5904 001	58,0		53,34	43,83	2,54 x 14 = 35,56	68,6
34	09 19 534 7904 001	09 19 534 6904 001	09 19 534 5904 001	62,8		58,42	48,01	2,54 x 16 = 40,64	75,8
40	09 19 540 7904 001	09 19 540 6904 001	09 19 540 5904 001	70,4		66,04	55,63	2,54 x 19 = 48,26	83,5
50	09 19 550 7904 001	09 19 550 6904 001	09 19 550 5904 001	83,1		78,74	68,33	2,54 x 24 = 60,96	96,2
60	09 19 560 7904 001	09 19 560 6904 001	09 19 560 5904 001	95,8		91,44	81,03	2,54 x 29 = 73,66	108,9
64	09 19 564 7904 001	09 19 564 6904 001	09 19 564 5904 001	100,9		96,52	86,11	2,54 x 31 = 78,74	113,9

	All rights reserved Department EC PD - DE	Created by STORCK		Inspected by TADJE	Standardisation KOHLER	Date 2015-12-21	State Final Release
	Title SEK 19 male standard conn straight with long lever 2.9						Doc-Key / ECM-Nr. 100154464/UGD/032/A 50000094596
HARTING Electronics GmbH D-32339 Espelkamp		Type TB	Number 09195XXX904			Rev. A	Page 2/2