



Chipsmall Limited consists of a professional team with an average of over 10 year of expertise in the distribution of electronic components. Based in Hongkong, we have already established firm and mutual-benefit business relationships with customers from,Europe,America and south Asia,supplying obsolete and hard-to-find components to meet their specific needs.

With the principle of “Quality Parts,Customers Priority,Honest Operation,and Considerate Service”,our business mainly focus on the distribution of electronic components. Line cards we deal with include Microchip,ALPS,ROHM,Xilinx,Pulse,ON,Everlight and Freescale. Main products comprise IC,Modules,Potentiometer,IC Socket,Relay,Connector.Our parts cover such applications as commercial,industrial, and automotives areas.

We are looking forward to setting up business relationship with you and hope to provide you with the best service and solution. Let us make a better world for our industry!



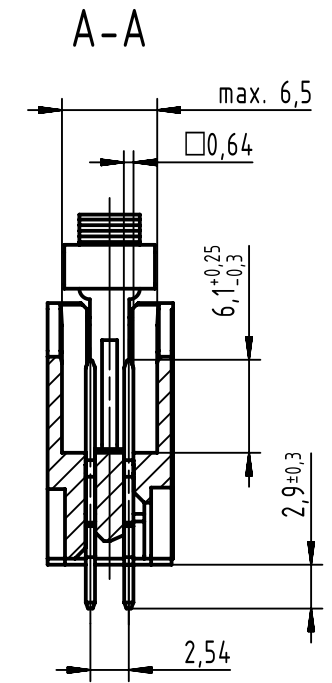
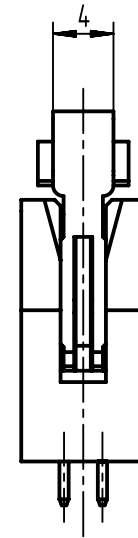
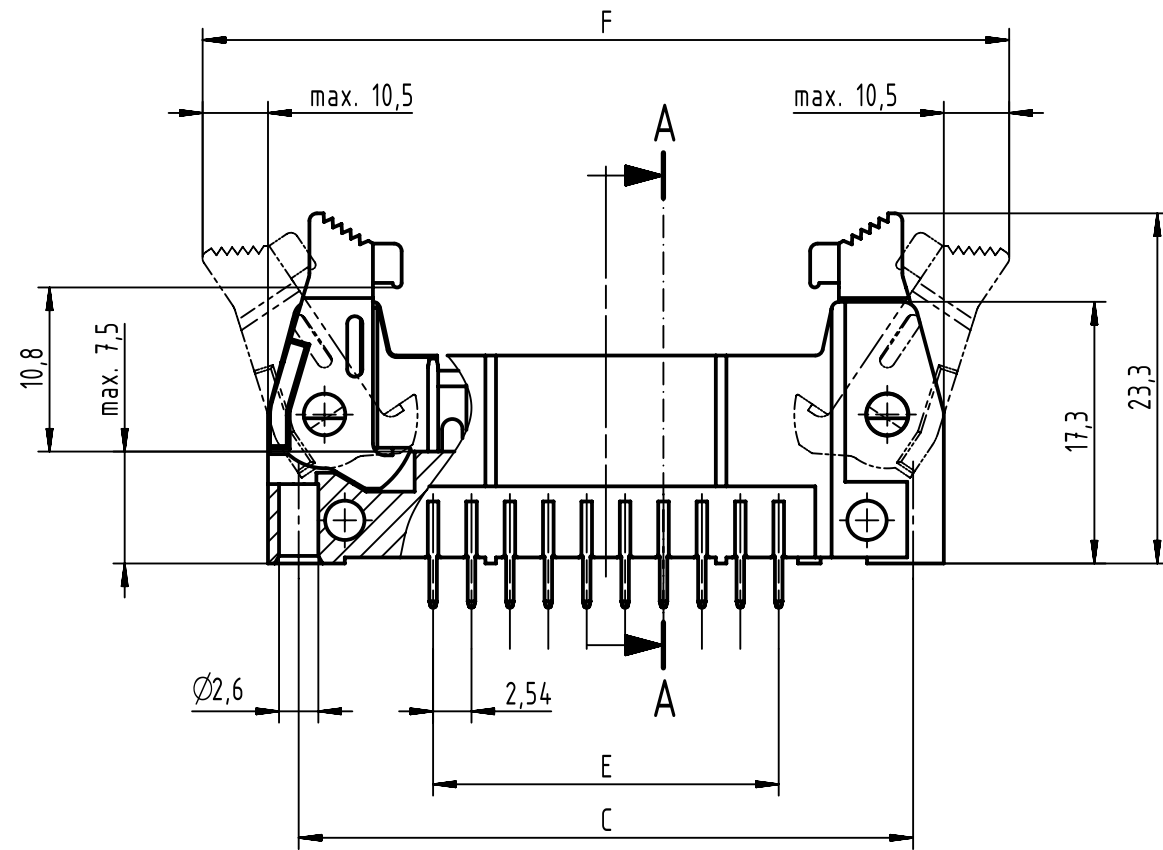
## Contact us

Tel: +86-755-8981 8866 Fax: +86-755-8427 6832

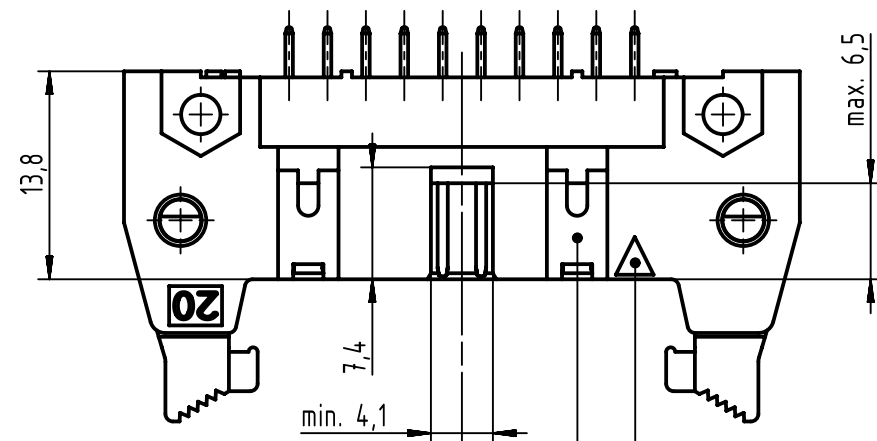
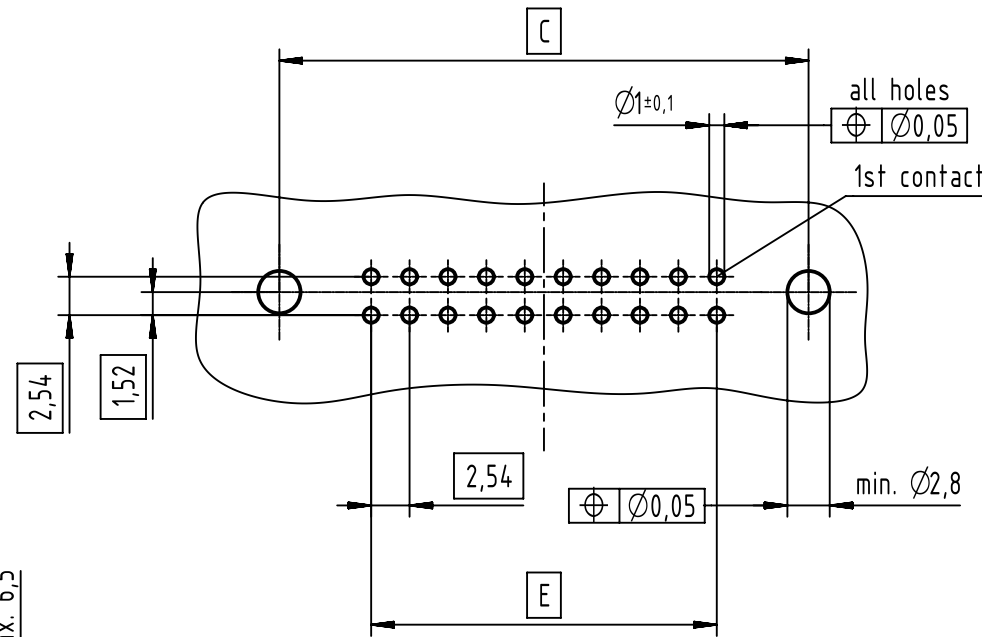
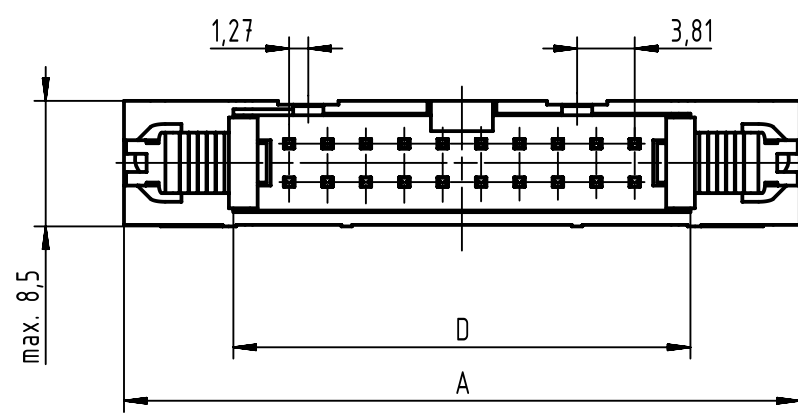
Email & Skype: info@chipsmall.com Web: www.chipsmall.com

Address: A1208, Overseas Decoration Building, #122 Zhenhua RD., Futian, Shenzhen, China

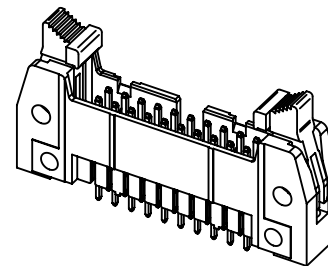




PCB layout  
view component side  
thickness 1,6



see table for coding,  
feature arrangement and style



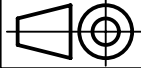
coding style table	
	style A: for connectors 6-pole
	style B: for connectors from 10 to 14-pole
	style C: for connectors from 16 to 64-pole

further information  
see: DS 09191230202

full range of P/N's and  
dimensions shown on page 2/2

	All Dimensions in mm Original Size DIN A3	Scale 2:1	Free size tol. IEC 60603-13	Ref. Sub. TB 09195XXX914 / 50000087654 / 2015-04-08	
	All rights reserved Department EC PD - DE	Created by STORCK	Inspected by TADJE	Standardisation KOHLER	Date 2015-12-21
HARTING Electronics GmbH D-32339 Espelkamp		Title SEK 19 male standard conn straight with short lever 2.9			Doc-Key / ECM-Nr. 100154464/UGD/036/A 50000094596
		Type TB	Number 09195XXX914		Rev. A Page 1/2

no. of contacts	performance level			insulator colour	dimensions				
	PL3	PL2	S4		A max.	C	D	E	F
	part number	part number	part number						
06	09 19 506 7914	09 19 506 6914	09 19 506 5914	beige	27,2	22,86	12,45	2,54 x 2 = 5,08	36,9
10	09 19 510 7914	09 19 510 6914	09 19 510 5914		32,3	27,94	17,53	2,54 x 4 = 10,16	42,0
14	09 19 514 7914	09 19 514 6914	09 19 514 5914		37,4	33,02	22,61	2,54 x 6 = 15,24	47,1
16	09 19 516 7914	09 19 516 6914	09 19 516 5914		39,9	35,56	25,15	2,54 x 7 = 17,78	49,6
20	09 19 520 7914	09 19 520 6914	09 19 520 5914		45,0	40,64	30,23	2,54 x 9 = 22,86	54,7
24	09 19 524 7914	09 19 524 6914	09 19 524 5914		50,1	45,72	35,91	2,54 x 11 = 27,94	59,8
26	09 19 526 7914	09 19 526 6914	09 19 526 5914		52,6	48,26	37,85	2,54 x 12 = 30,48	62,3
30	09 19 530 7914	09 19 530 6914	09 19 530 5914		58,0	53,34	43,83	2,54 x 14 = 35,56	68,2
34	09 19 534 7914	09 19 534 6914	09 19 534 5914		62,8	58,42	48,01	2,54 x 16 = 40,64	72,5
40	09 19 540 7914	09 19 540 6914	09 19 540 5914		70,4	66,04	55,63	2,54 x 19 = 48,26	80,1
50	09 19 550 7914	09 19 550 6914	09 19 550 5914		83,1	78,74	68,33	2,54 x 24 = 60,96	92,8
60	09 19 560 7914	09 19 560 6914	09 19 560 5914		95,8	91,44	81,03	2,54 x 29 = 73,66	105,5
64	09 19 564 7914	09 19 564 6914	09 19 564 5914		100,9	96,52	86,11	2,54 x 31 = 78,74	110,6
06	09 19 506 7914 001	09 19 506 6914 001	09 19 506 5914 001		black	27,2	22,86	12,45	2,54 x 2 = 5,08
10	09 19 510 7914 001	09 19 510 6914 001	09 19 510 5914 001	32,3		27,94	17,53	2,54 x 4 = 10,16	42,0
14	09 19 514 7914 001	09 19 514 6914 001	09 19 514 5914 001	37,4		33,02	22,61	2,54 x 6 = 15,24	47,1
16	09 19 516 7914 001	09 19 516 6914 001	09 19 516 5914 001	39,9		35,56	25,15	2,54 x 7 = 17,78	49,6
20	09 19 520 7914 001	09 19 520 6914 001	09 19 520 5914 001	45,0		40,64	30,23	2,54 x 9 = 22,86	54,7
24	09 19 524 7914 001	09 19 524 6914 001	09 19 524 5914 001	50,1		45,72	35,91	2,54 x 11 = 27,94	59,8
26	09 19 526 7914 001	09 19 526 6914 001	09 19 526 5914 001	52,6		48,26	37,85	2,54 x 12 = 30,48	62,3
30	09 19 530 7914 001	09 19 530 6914 001	09 19 530 5914 001	58,0		53,34	43,83	2,54 x 14 = 35,56	68,2
34	09 19 534 7914 001	09 19 534 6914 001	09 19 534 5914 001	62,8		58,42	48,01	2,54 x 16 = 40,64	72,5
40	09 19 540 7914 001	09 19 540 6914 001	09 19 540 5914 001	70,4		66,04	55,63	2,54 x 19 = 48,26	80,1
50	09 19 550 7914 001	09 19 550 6914 001	09 19 550 5914 001	83,1		78,74	68,33	2,54 x 24 = 60,96	92,8
60	09 19 560 7914 001	09 19 560 6914 001	09 19 560 5914 001	95,8		91,44	81,03	2,54 x 29 = 73,66	105,5
64	09 19 564 7914 001	09 19 564 6914 001	09 19 564 5914 001	100,9		96,52	86,11	2,54 x 31 = 78,74	110,6

	All rights reserved Department EC PD - DE	Created by STORCK		Inspected by TADJE	Standardisation KOHLER	Date 2015-12-21	State Final Release
	Title SEK 19 male standard conn straight with short lever 2.9						Doc-Key / ECM-Nr. 100154464/UGD/036/A 50000094596
HARTING Electronics GmbH D-32339 Espelkamp		Type TB	Number 09195XXX914			Rev. A	Page 2/2