



Chipsmall Limited consists of a professional team with an average of over 10 year of expertise in the distribution of electronic components. Based in Hongkong, we have already established firm and mutual-benefit business relationships with customers from,Europe,America and south Asia,supplying obsolete and hard-to-find components to meet their specific needs.

With the principle of “Quality Parts,Customers Priority,Honest Operation,and Considerate Service”,our business mainly focus on the distribution of electronic components. Line cards we deal with include Microchip,ALPS,ROHM,Xilinx,Pulse,ON,Everlight and Freescale. Main products comprise IC,Modules,Potentiometer,IC Socket,Relay,Connector.Our parts cover such applications as commercial,industrial, and automotives areas.

We are looking forward to setting up business relationship with you and hope to provide you with the best service and solution. Let us make a better world for our industry!



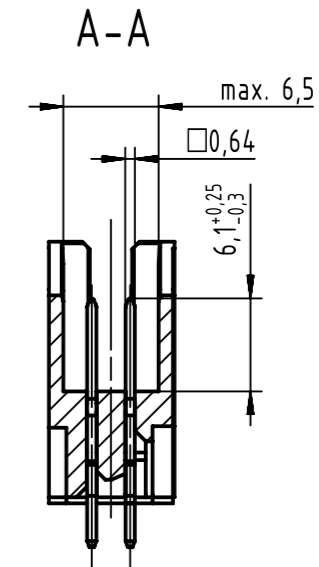
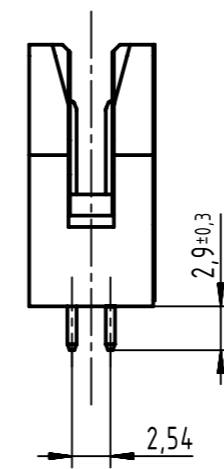
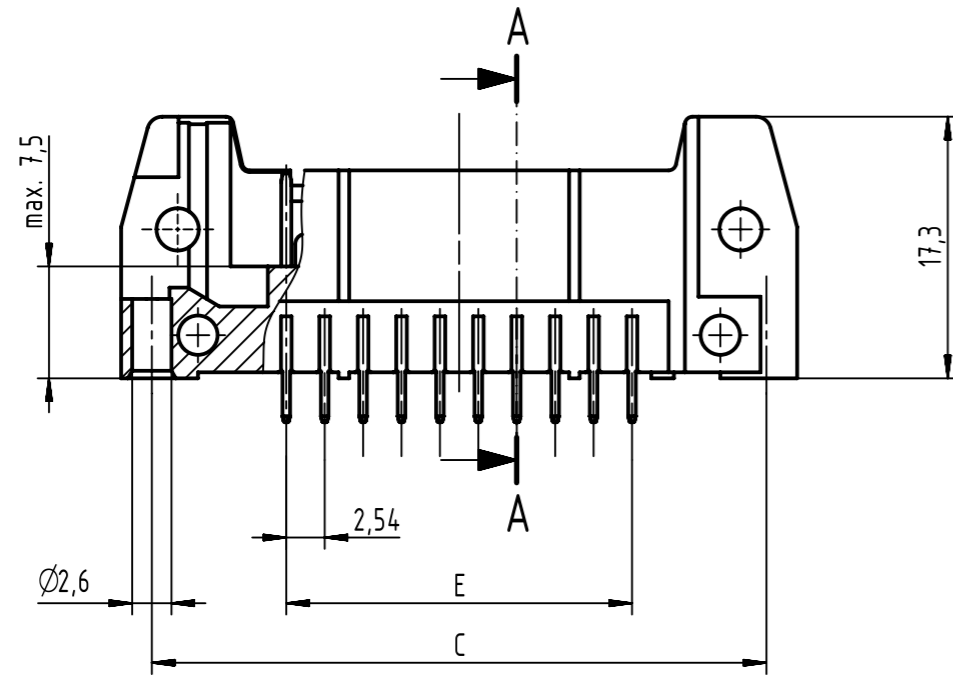
## Contact us

Tel: +86-755-8981 8866 Fax: +86-755-8427 6832

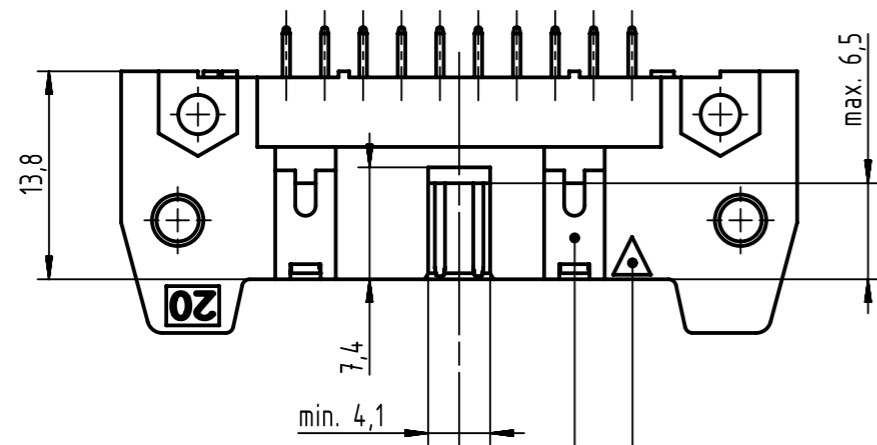
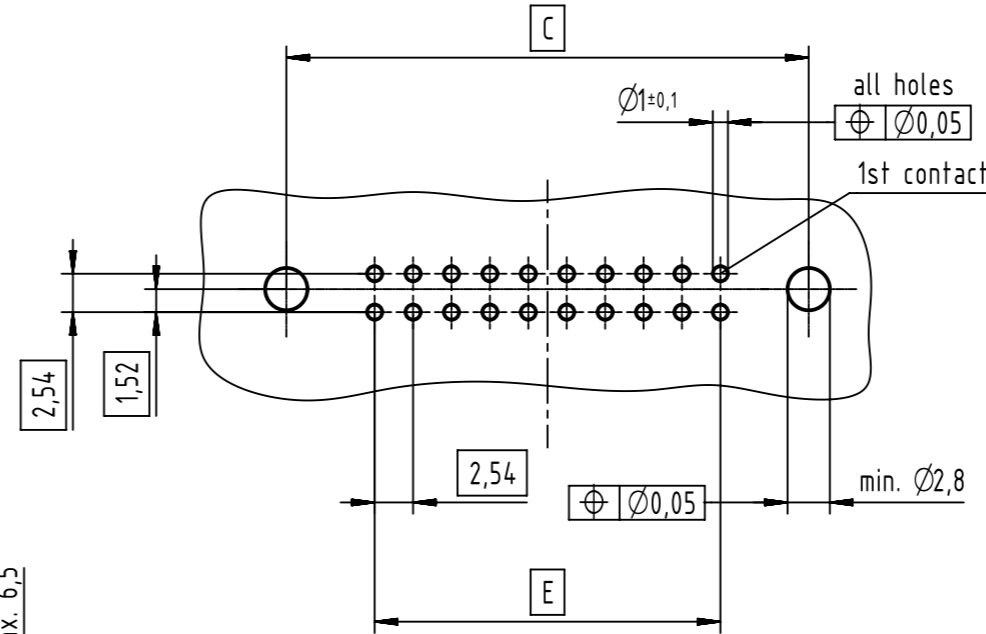
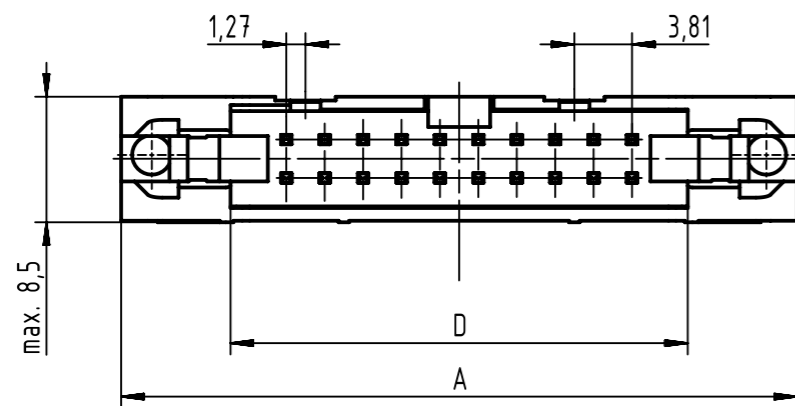
Email & Skype: info@chipsmall.com Web: www.chipsmall.com

Address: A1208, Overseas Decoration Building, #122 Zhenhua RD., Futian, Shenzhen, China

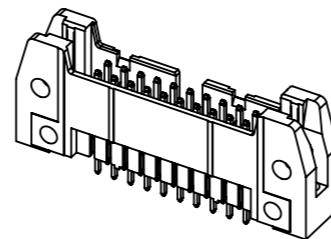




PCB layout  
view component side  
thickness 1,6



see table for coding,  
feature arrangement and style




further information  
see: DS 09191230202

full range of P/N's and  
dimensions shown on page 2/2

coding style table	
	style A: for connectors 6-pole
	style B: for connectors from 10 to 14-pole
	style C: for connectors from 16 to 64-pole

	All Dimensions in mm Original Size DIN A3	Scale 2:1	Free size tol. IEC 60603-13	Ref. Sub. TB 09195XXX924 / 500000087654 / 2015-04-08	
	All rights reserved Department EC PD - DE	Created by STORCK	Inspected by TADJE	Standardisation KOHLER	Date 2015-12-21
HARTING Electronics GmbH D-32339 Espelkamp		Title SEK 19 male standard conn straight w/o lever 2.9			Doc-Key / ECM-Nr. 100154464/UGD/040/A 50000094596
		Type TB	Number 09195XXX924		Rev. <b>A</b> Page 1/2

no. of contacts	performance level			insulator colour	dimensions			
	PL3	PL2	S4		A max.	C	D	E
	part number	part number	part number					
06	09 19 506 7924	09 19 506 6924	09 19 506 5924	beige	27,2	22,86	12,45	2,54 x 2 = 5,08
10	09 19 510 7924	09 19 510 6924	09 19 510 5924		32,3	27,94	17,53	2,54 x 4 = 10,16
14	09 19 514 7924	09 19 514 6924	09 19 514 5924		37,4	33,02	22,61	2,54 x 6 = 15,24
16	09 19 516 7924	09 19 516 6924	09 19 516 5924		39,9	35,56	25,15	2,54 x 7 = 17,78
20	09 19 520 7924	09 19 520 6924	09 19 520 5924		45,0	40,64	30,23	2,54 x 9 = 22,86
24	09 19 524 7924	09 19 524 6924	09 19 524 5924		50,1	45,72	35,91	2,54 x 11 = 27,94
26	09 19 526 7924	09 19 526 6924	09 19 526 5924		52,6	48,26	37,85	2,54 x 12 = 30,48
30	09 19 530 7924	09 19 530 6924	09 19 530 5924		58,0	53,34	43,83	2,54 x 14 = 35,56
34	09 19 534 7924	09 19 534 6924	09 19 534 5924		62,8	58,42	48,01	2,54 x 16 = 40,64
40	09 19 540 7924	09 19 540 6924	09 19 540 5924		70,4	66,04	55,63	2,54 x 19 = 48,26
50	09 19 550 7924	09 19 550 6924	09 19 550 5924		83,1	78,74	68,33	2,54 x 24 = 60,96
60	09 19 560 7924	09 19 560 6924	09 19 560 5924		95,8	91,44	81,03	2,54 x 29 = 73,66
64	09 19 564 7924	09 19 564 6924	09 19 564 5924		100,9	96,52	86,11	2,54 x 31 = 78,74
06	09 19 506 7924 001	09 19 506 6924 001	09 19 506 5924 001		black	27,2	22,86	12,45
10	09 19 510 7924 001	09 19 510 6924 001	09 19 510 5924 001	32,3		27,94	17,53	2,54 x 4 = 10,16
14	09 19 514 7924 001	09 19 514 6924 001	09 19 514 5924 001	37,4		33,02	22,61	2,54 x 6 = 15,24
16	09 19 516 7924 001	09 19 516 6924 001	09 19 516 5924 001	39,9		35,56	25,15	2,54 x 7 = 17,78
20	09 19 520 7924 001	09 19 520 6924 001	09 19 520 5924 001	45,0		40,64	30,23	2,54 x 9 = 22,86
24	09 19 524 7924 001	09 19 524 6924 001	09 19 524 5924 001	50,1		45,72	35,91	2,54 x 11 = 27,94
26	09 19 526 7924 001	09 19 526 6924 001	09 19 526 5924 001	52,6		48,26	37,85	2,54 x 12 = 30,48
30	09 19 530 7924 001	09 19 530 6924 001	09 19 530 5924 001	58,0		53,34	43,83	2,54 x 14 = 35,56
34	09 19 534 7924 001	09 19 534 6924 001	09 19 534 5924 001	62,8		58,42	48,01	2,54 x 16 = 40,64
40	09 19 540 7924 001	09 19 540 6924 001	09 19 540 5924 001	70,4		66,04	55,63	2,54 x 19 = 48,26
50	09 19 550 7924 001	09 19 550 6924 001	09 19 550 5924 001	83,1		78,74	68,33	2,54 x 24 = 60,96
60	09 19 560 7924 001	09 19 560 6924 001	09 19 560 5924 001	95,8		91,44	81,03	2,54 x 29 = 73,66
64	09 19 564 7924 001	09 19 564 6924 001	09 19 564 5924 001	100,9		96,52	86,11	2,54 x 31 = 78,74

	All Dimensions in mm Original Size DIN A3	Scale 1:1	Free size tol.		Ref. Sub. TB 09195XXX924 / 500000087654 / 2015-04-08	
	All rights reserved Department EC PD - DE	Created by STORCK	Inspected by TADJE	Standardisation KOHLER	Date 2015-12-21	State Final Release
HARTING Electronics GmbH D-32339 Espelkamp		Title SEK 19 male standard conn straight w/o lever 2.9			Doc-Key / ECM-Nr. 100154464/UGD/040/A 500000094596	
		Type TB	Number 09195XXX924		Rev. A	Page 2/2