



Chipsmall Limited consists of a professional team with an average of over 10 year of expertise in the distribution of electronic components. Based in Hongkong, we have already established firm and mutual-benefit business relationships with customers from,Europe,America and south Asia,supplying obsolete and hard-to-find components to meet their specific needs.

With the principle of "Quality Parts,Customers Priority,Honest Operation,and Considerate Service",our business mainly focus on the distribution of electronic components. Line cards we deal with include Microchip,ALPS,ROHM,Xilinx,Pulse,ON,Everlight and Freescale. Main products comprise IC,Modules,Potentiometer,IC Socket,Relay,Connector.Our parts cover such applications as commercial,industrial, and automotives areas.

We are looking forward to setting up business relationship with you and hope to provide you with the best service and solution. Let us make a better world for our industry!



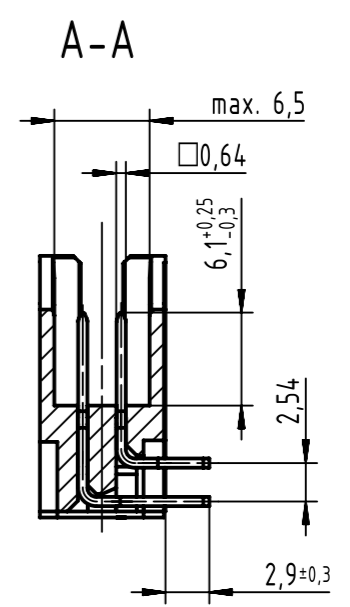
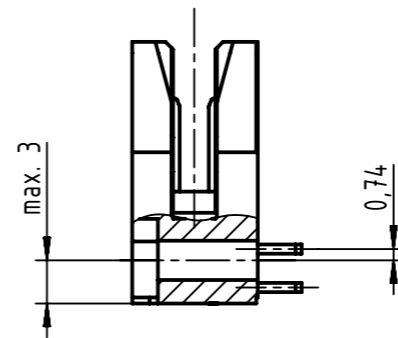
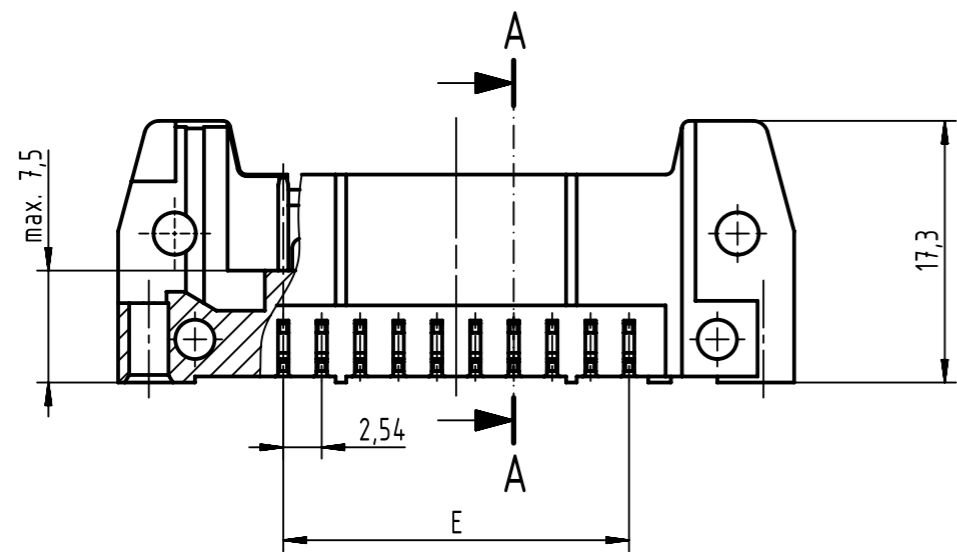
Contact us

Tel: +86-755-8981 8866 Fax: +86-755-8427 6832

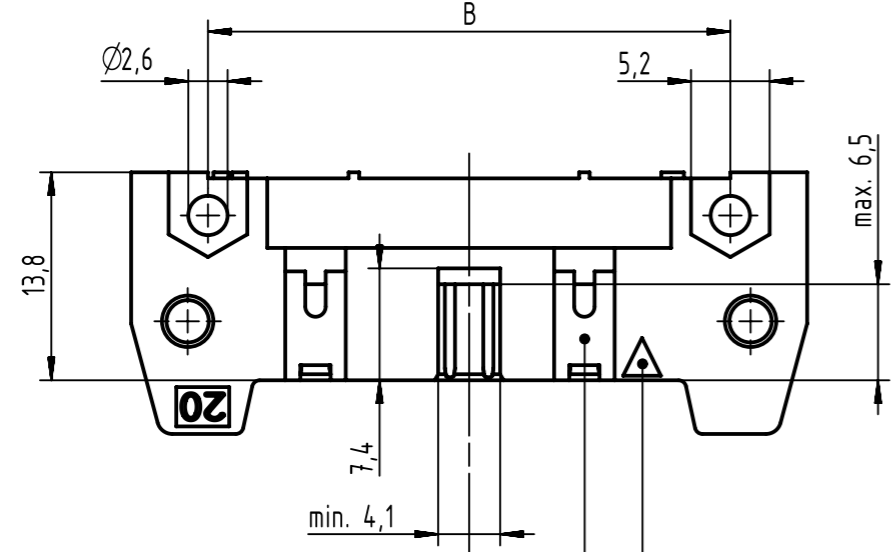
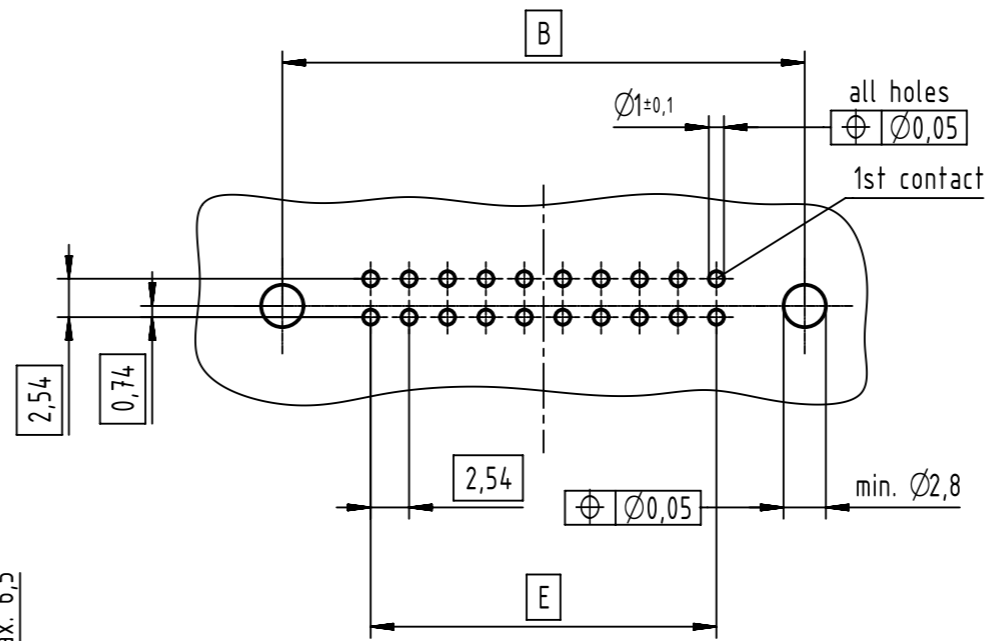
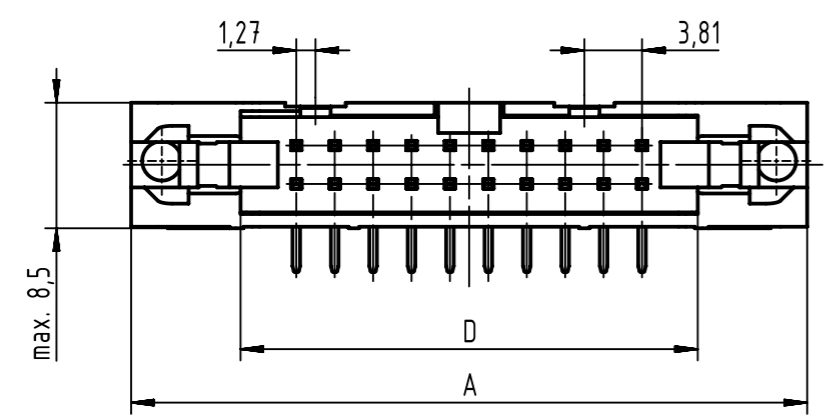
Email & Skype: info@chipsmall.com Web: www.chipsmall.com

Address: A1208, Overseas Decoration Building, #122 Zhenhua RD., Futian, Shenzhen, China

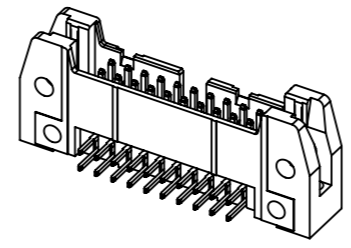




PCB layout
view component side
thickness 1,6



see table for coding,
feature arrangement and style




| coding style table | |
|--------------------|--|
| | style A: for connectors 6-pole |
| | style B: for connectors from 10 to 14-pole |
| | style C: for connectors from 16 to 64-pole |

further information
see: DS 09191130201

full range of P/N's and
dimensions shown on page 2/2

| | | | | |
|---|--|--|--------------------------------|---|
| | All Dimensions in mm Original Size DIN A3 | Scale 2:1 | Free size tol. IEC 60603-13 | Ref. Sub. TB 09195XXX923 / 500000087654 / 2015-04-08 |
| | All rights reserved Department EC PD - DE | Created by STORCK | Inspected by TADJE | Standardisation KOHLER |
| HARTING Electronics GmbH D-32339 Espelkamp | | Title SEK 19 male standard conn angled w/o lever 2.9 | Date 2015-12-21 | State Final Release |
| Type TB | Number 09195XXX923 | Doc-Key / ECM-Nr. 100154464/UGD/039/A 500000094596 | | Rev. A Page 1/2 |

| no. of contacts | performance level | | | insulator colour | dimensions | | | |
|-----------------|--------------------|--------------------|--------------------|------------------|------------|-------|-------|-------------------|
| | PL3 | PL2 | S4 | | A max. | B | D | E |
| | part number | part number | part number | | | | | |
| 06 | 09 19 506 7923 | 09 19 506 6923 | 09 19 506 5923 | beige | 27,2 | 16,76 | 12,45 | 2,54 x 2 = 5,08 |
| 10 | 09 19 510 7923 | 09 19 510 6923 | 09 19 510 5923 | | 32,3 | 21,84 | 17,53 | 2,54 x 4 = 10,16 |
| 14 | 09 19 514 7923 | 09 19 514 6923 | 09 19 514 5923 | | 37,4 | 26,92 | 22,61 | 2,54 x 6 = 15,24 |
| 16 | 09 19 516 7923 | 09 19 516 6923 | 09 19 516 5923 | | 39,9 | 29,46 | 25,15 | 2,54 x 7 = 17,78 |
| 20 | 09 19 520 7923 | 09 19 520 6923 | 09 19 520 5923 | | 45,0 | 34,54 | 30,23 | 2,54 x 9 = 22,86 |
| 24 | 09 19 524 7923 | 09 19 524 6923 | 09 19 524 5923 | | 50,1 | 39,62 | 35,91 | 2,54 x 11 = 27,94 |
| 26 | 09 19 526 7923 | 09 19 526 6923 | 09 19 526 5923 | | 52,6 | 42,16 | 37,85 | 2,54 x 12 = 30,48 |
| 30 | 09 19 530 7923 | 09 19 530 6923 | 09 19 530 5923 | | 58,0 | 47,24 | 43,83 | 2,54 x 14 = 35,56 |
| 34 | 09 19 534 7923 | 09 19 534 6923 | 09 19 534 5923 | | 62,8 | 52,32 | 48,01 | 2,54 x 16 = 40,64 |
| 40 | 09 19 540 7923 | 09 19 540 6923 | 09 19 540 5923 | | 70,4 | 59,94 | 55,63 | 2,54 x 19 = 48,26 |
| 50 | 09 19 550 7923 | 09 19 550 6923 | 09 19 550 5923 | | 83,1 | 72,64 | 68,33 | 2,54 x 24 = 60,96 |
| 60 | 09 19 560 7923 | 09 19 560 6923 | 09 19 560 5923 | | 95,8 | 85,34 | 81,03 | 2,54 x 29 = 73,66 |
| 64 | 09 19 564 7923 | 09 19 564 6923 | 09 19 564 5923 | | 100,9 | 90,42 | 86,11 | 2,54 x 31 = 78,74 |
| 06 | 09 19 506 7923 001 | 09 19 506 6923 001 | 09 19 506 5923 001 | | black | 27,2 | 16,76 | 12,45 |
| 10 | 09 19 510 7923 001 | 09 19 510 6923 001 | 09 19 510 5923 001 | 32,3 | | 21,84 | 17,53 | 2,54 x 4 = 10,16 |
| 14 | 09 19 514 7923 001 | 09 19 514 6923 001 | 09 19 514 5923 001 | 37,4 | | 26,92 | 22,61 | 2,54 x 6 = 15,24 |
| 16 | 09 19 516 7923 001 | 09 19 516 6923 001 | 09 19 516 5923 001 | 39,9 | | 29,46 | 25,15 | 2,54 x 7 = 17,78 |
| 20 | 09 19 520 7923 001 | 09 19 520 6923 001 | 09 19 520 5923 001 | 45,0 | | 34,54 | 30,23 | 2,54 x 9 = 22,86 |
| 24 | 09 19 524 7923 001 | 09 19 524 6923 001 | 09 19 524 5923 001 | 50,1 | | 39,62 | 35,91 | 2,54 x 11 = 27,94 |
| 26 | 09 19 526 7923 001 | 09 19 526 6923 001 | 09 19 526 5923 001 | 52,6 | | 42,16 | 37,85 | 2,54 x 12 = 30,48 |
| 30 | 09 19 530 7923 001 | 09 19 530 6923 001 | 09 19 530 5923 001 | 58,0 | | 47,24 | 43,83 | 2,54 x 14 = 35,56 |
| 34 | 09 19 534 7923 001 | 09 19 534 6923 001 | 09 19 534 5923 001 | 62,8 | | 52,32 | 48,01 | 2,54 x 16 = 40,64 |
| 40 | 09 19 540 7923 001 | 09 19 540 6923 001 | 09 19 540 5923 001 | 70,4 | | 59,94 | 55,63 | 2,54 x 19 = 48,26 |
| 50 | 09 19 550 7923 001 | 09 19 550 6923 001 | 09 19 550 5923 001 | 83,1 | | 72,64 | 68,33 | 2,54 x 24 = 60,96 |
| 60 | 09 19 560 7923 001 | 09 19 560 6923 001 | 09 19 560 5923 001 | 95,8 | | 85,34 | 81,03 | 2,54 x 29 = 73,66 |
| 64 | 09 19 564 7923 001 | 09 19 564 6923 001 | 09 19 564 5923 001 | 100,9 | | 90,42 | 86,11 | 2,54 x 31 = 78,74 |

| | | | | | |
|---|--|---|-----------------------|---|--|
|  | All Dimensions in mm Original Size DIN A3 | Scale 1:1 | Free size tol. | Ref. Sub. TB 09195XXX923 / 500000087654 / 2015-04-08 | |
| | All rights reserved Department EC PD - DE | Created by STORCK | Inspected by TADJE | Standardisation KOHLER | Date 2015-12-21 |
| HARTING Electronics GmbH D-32339 Espelkamp | | Title SEK 19 male standard conn angled w/o lever 2.9 | | | Doc-Key / ECM-Nr. 100154464/UGD/039/A 500000094596 |
| | | Type TB | Number 09195XXX923 | Rev. A | Page 2/2 |