



Chipsmall Limited consists of a professional team with an average of over 10 year of expertise in the distribution of electronic components. Based in Hongkong, we have already established firm and mutual-benefit business relationships with customers from,Europe,America and south Asia,supplying obsolete and hard-to-find components to meet their specific needs.

With the principle of "Quality Parts,Customers Priority,Honest Operation,and Considerate Service",our business mainly focus on the distribution of electronic components. Line cards we deal with include Microchip,ALPS,ROHM,Xilinx,Pulse,ON,Everlight and Freescale. Main products comprise IC,Modules,Potentiometer,IC Socket,Relay,Connector.Our parts cover such applications as commercial,industrial, and automotives areas.

We are looking forward to setting up business relationship with you and hope to provide you with the best service and solution. Let us make a better world for our industry!



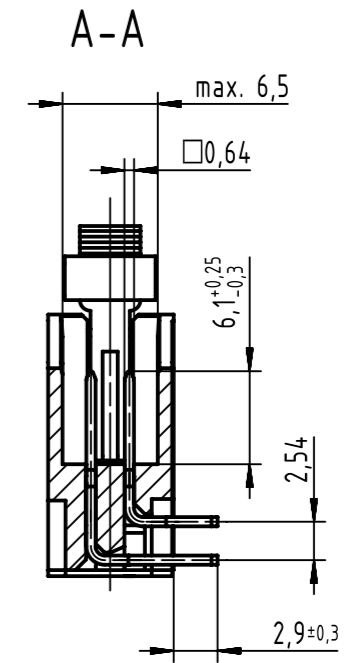
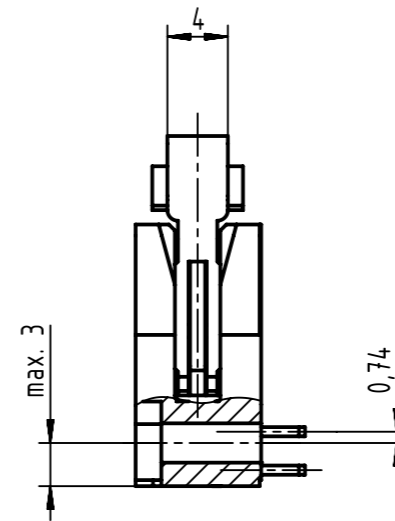
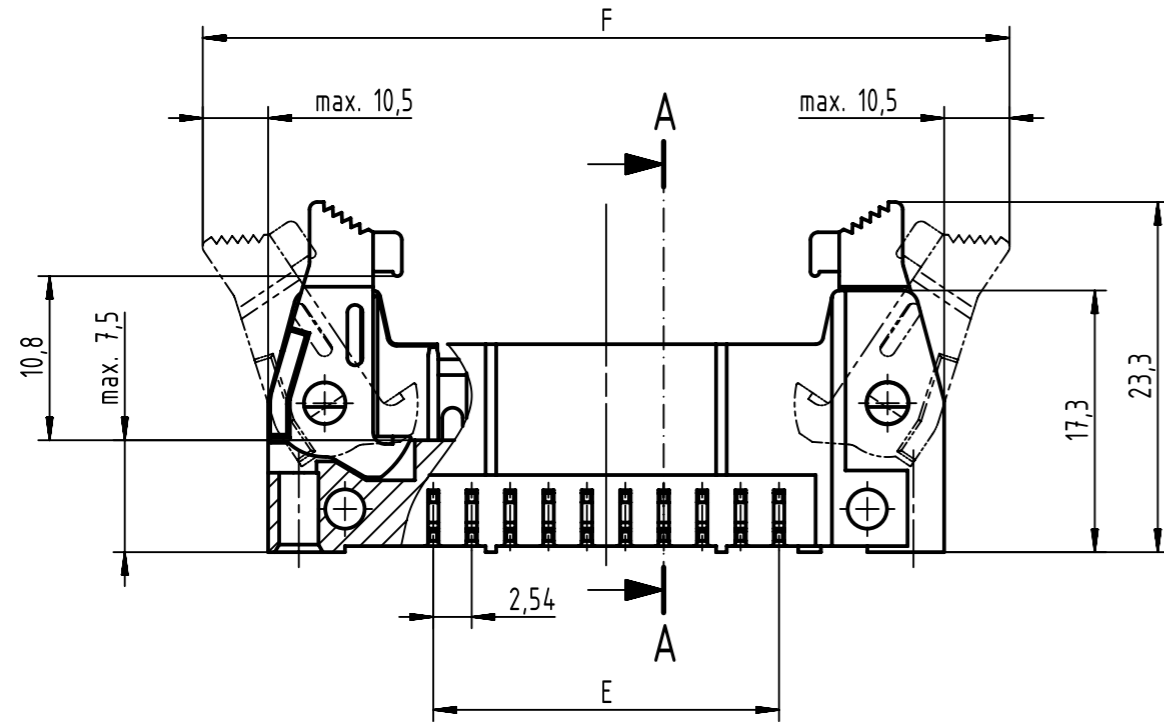
Contact us

Tel: +86-755-8981 8866 Fax: +86-755-8427 6832

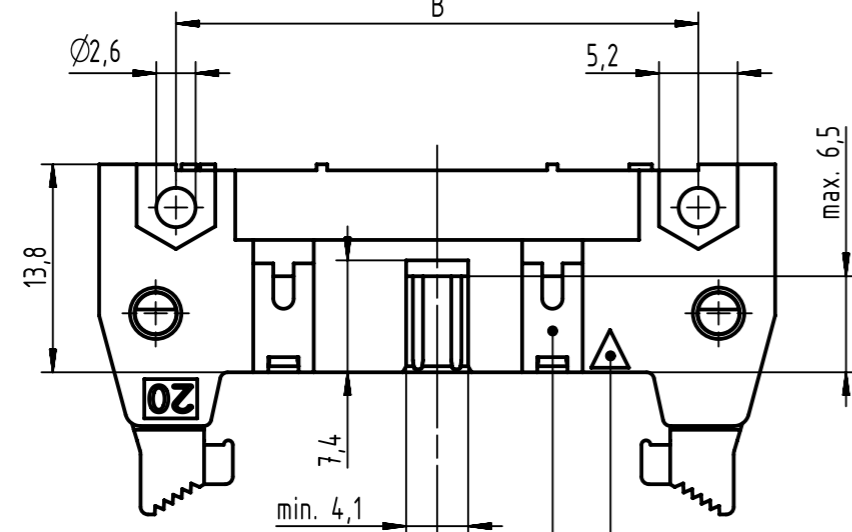
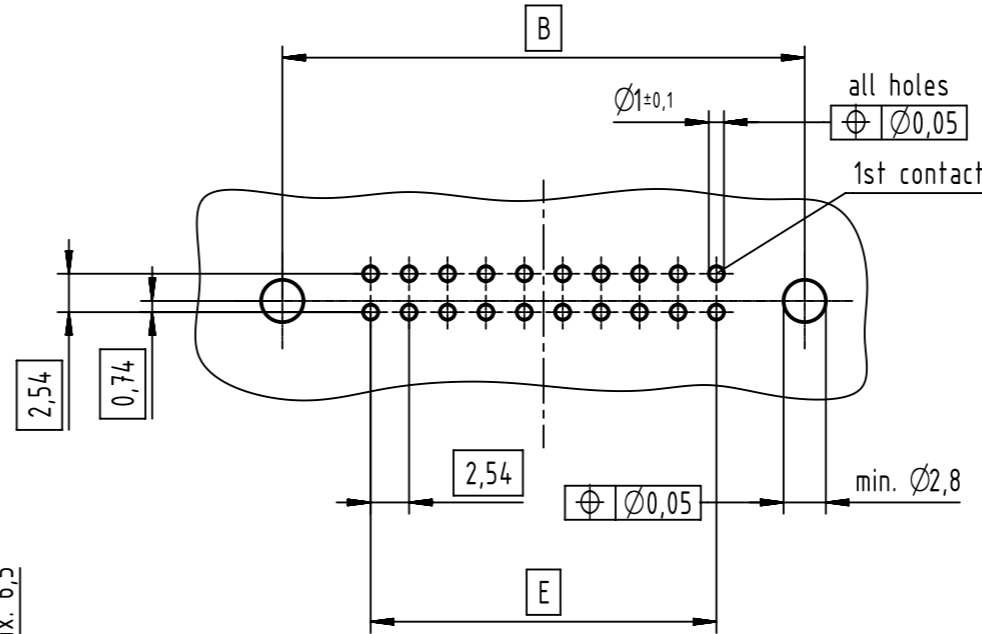
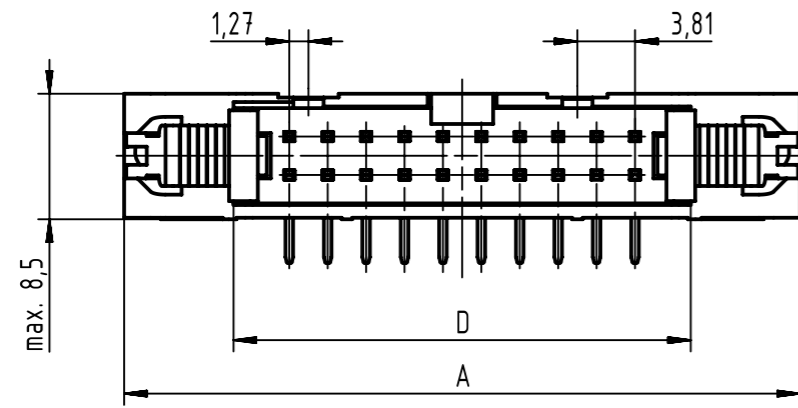
Email & Skype: info@chipsmall.com Web: www.chipsmall.com

Address: A1208, Overseas Decoration Building, #122 Zhenhua RD., Futian, Shenzhen, China

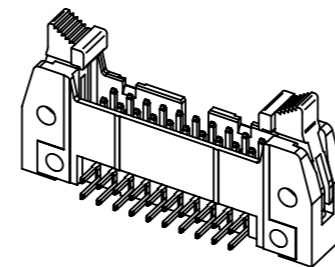


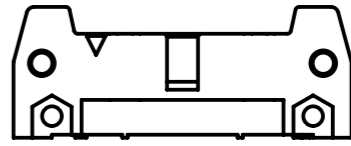
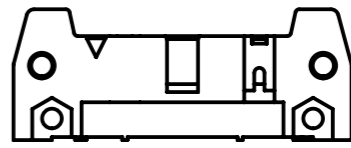
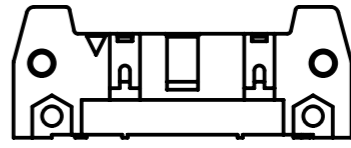


PCB layout
view component side
thickness 1,6




see table for coding,
feature arrangement and style




coding style table	
	style A: for connectors 6-pole
	style B: for connectors from 10 to 14-pole
	style C: for connectors from 16 to 64-pole

further information
see: DS 09191130201

full range of P/N's and
dimensions shown on page 2/2

	All rights reserved Department EC PD - DE	Created by STORCK	Inspected by TADJE	Standardisation KOHLER	Date 2015-12-21	State Final Release	Ref. Sub. TB 09195XXX913 / 500000087654 / 2015-04-08
	HARTING Electronics GmbH D-32339 Espelkamp	Title SEK 19 male standard conn angled with short lever 2.9			Type TB	Number 09195XXX913	Doc-Key / ECM-Nr. 100154464/UGD/035/A 50000094596
						Rev. A	Page 1/2

no. of contacts	performance level			insulator colour	dimensions				
	PL3	PL2	S4		A max.	B	D	E	F
	part number	part number	part number						
06	09 19 506 7913	09 19 506 6913	09 19 506 5913	beige	27,2	16,76	12,45	2,54 x 2 = 5,08	36,9
10	09 19 510 7913	09 19 510 6913	09 19 510 5913		32,3	21,84	17,53	2,54 x 4 = 10,16	42,0
14	09 19 514 7913	09 19 514 6913	09 19 514 5913		37,4	26,92	22,61	2,54 x 6 = 15,24	47,1
16	09 19 516 7913	09 19 516 6913	09 19 516 5913		39,9	29,46	25,15	2,54 x 7 = 17,78	49,6
20	09 19 520 7913	09 19 520 6913	09 19 520 5913		45,0	34,54	30,23	2,54 x 9 = 22,86	54,7
24	09 19 524 7913	09 19 524 6913	09 19 524 5913		50,1	39,62	35,91	2,54 x 11 = 27,94	59,8
26	09 19 526 7913	09 19 526 6913	09 19 526 5913		52,6	42,16	37,85	2,54 x 12 = 30,48	62,3
30	09 19 530 7913	09 19 530 6913	09 19 530 5913		58,0	47,24	43,83	2,54 x 14 = 35,56	68,2
34	09 19 534 7913	09 19 534 6913	09 19 534 5913		62,8	52,32	48,01	2,54 x 16 = 40,64	72,5
40	09 19 540 7913	09 19 540 6913	09 19 540 5913		70,4	59,94	55,63	2,54 x 19 = 48,26	80,1
50	09 19 550 7913	09 19 550 6913	09 19 550 5913		83,1	72,64	68,33	2,54 x 24 = 60,96	92,8
60	09 19 560 7913	09 19 560 6913	09 19 560 5913		95,8	85,34	81,03	2,54 x 29 = 73,66	105,5
64	09 19 564 7913	09 19 564 6913	09 19 564 5913		100,9	90,42	86,11	2,54 x 31 = 78,74	110,6
06	09 19 506 7913 001	09 19 506 6913 001	09 19 506 5913 001		black	27,2	16,76	12,45	2,54 x 2 = 5,08
10	09 19 510 7913 001	09 19 510 6913 001	09 19 510 5913 001	32,3		21,84	17,53	2,54 x 4 = 10,16	42,0
14	09 19 514 7913 001	09 19 514 6913 001	09 19 514 5913 001	37,4		26,92	22,61	2,54 x 6 = 15,24	47,1
16	09 19 516 7913 001	09 19 516 6913 001	09 19 516 5913 001	39,9		29,46	25,15	2,54 x 7 = 17,78	49,6
20	09 19 520 7913 001	09 19 520 6913 001	09 19 520 5913 001	45,0		34,54	30,23	2,54 x 9 = 22,86	54,7
24	09 19 524 7913 001	09 19 524 6913 001	09 19 524 5913 001	50,1		39,62	35,91	2,54 x 11 = 27,94	59,8
26	09 19 526 7913 001	09 19 526 6913 001	09 19 526 5913 001	52,6		42,16	37,85	2,54 x 12 = 30,48	62,3
30	09 19 530 7913 001	09 19 530 6913 001	09 19 530 5913 001	58,0		47,24	43,83	2,54 x 14 = 35,56	68,2
34	09 19 534 7913 001	09 19 534 6913 001	09 19 534 5913 001	62,8		52,32	48,01	2,54 x 16 = 40,64	72,5
40	09 19 540 7913 001	09 19 540 6913 001	09 19 540 5913 001	70,4		59,94	55,63	2,54 x 19 = 48,26	80,1
50	09 19 550 7913 001	09 19 550 6913 001	09 19 550 5913 001	83,1		72,64	68,33	2,54 x 24 = 60,96	92,8
60	09 19 560 7913 001	09 19 560 6913 001	09 19 560 5913 001	95,8		85,34	81,03	2,54 x 29 = 73,66	105,5
64	09 19 564 7913 001	09 19 564 6913 001	09 19 564 5913 001	100,9		90,42	86,11	2,54 x 31 = 78,74	110,6

	All rights reserved	Created by STORCK	Inspected by TADJE	Standardisation KOHLER	Date 2015-12-21	State Final Release	
	Department EC PD - DE	Title SEK 19 male standard conn angled with short lever 2.9				Doc-Key / ECM-Nr. 100154464/UGD/035/A 50000094596	
HARTING Electronics GmbH D-32339 Espelkamp		Type TB	Number 09195XXX913			Rev. A	Page 2/2