



Chipsmall Limited consists of a professional team with an average of over 10 year of expertise in the distribution of electronic components. Based in Hongkong, we have already established firm and mutual-benefit business relationships with customers from,Europe,America and south Asia,supplying obsolete and hard-to-find components to meet their specific needs.

With the principle of “Quality Parts,Customers Priority,Honest Operation,and Considerate Service”,our business mainly focus on the distribution of electronic components. Line cards we deal with include Microchip,ALPS,ROHM,Xilinx,Pulse,ON,Everlight and Freescale. Main products comprise IC,Modules,Potentiometer,IC Socket,Relay,Connector.Our parts cover such applications as commercial,industrial, and automotives areas.

We are looking forward to setting up business relationship with you and hope to provide you with the best service and solution. Let us make a better world for our industry!



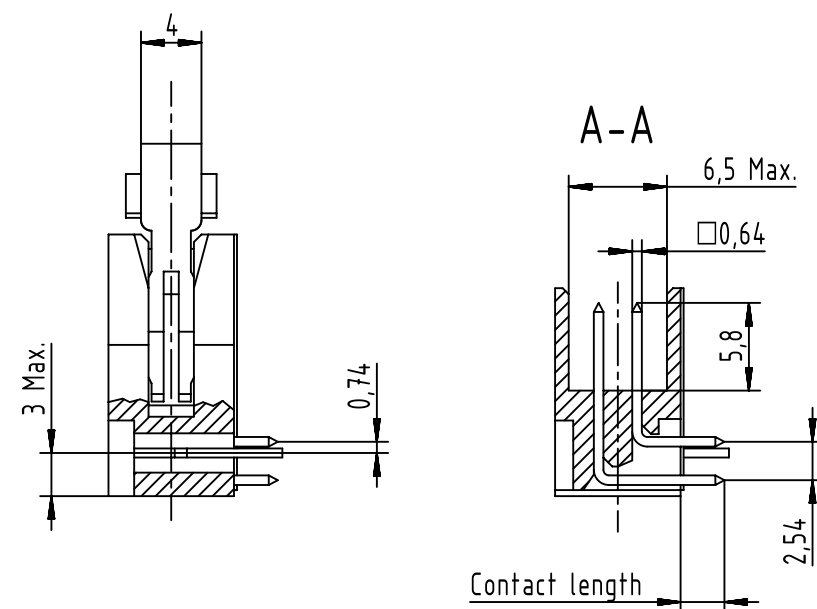
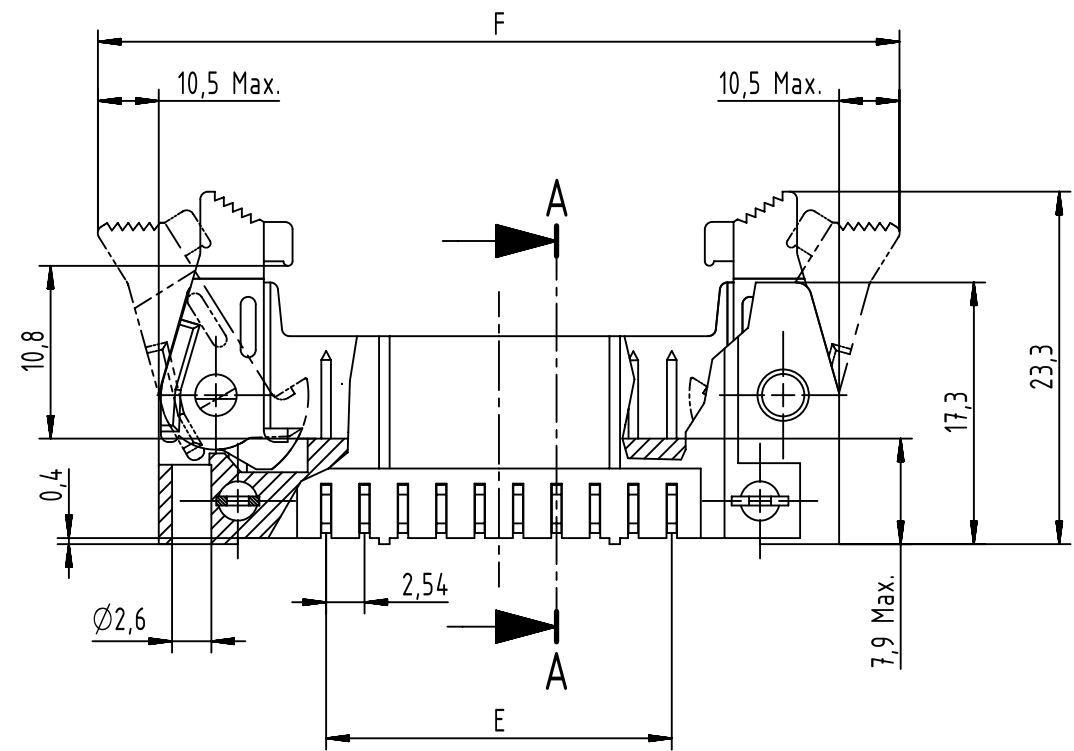
Contact us

Tel: +86-755-8981 8866 Fax: +86-755-8427 6832

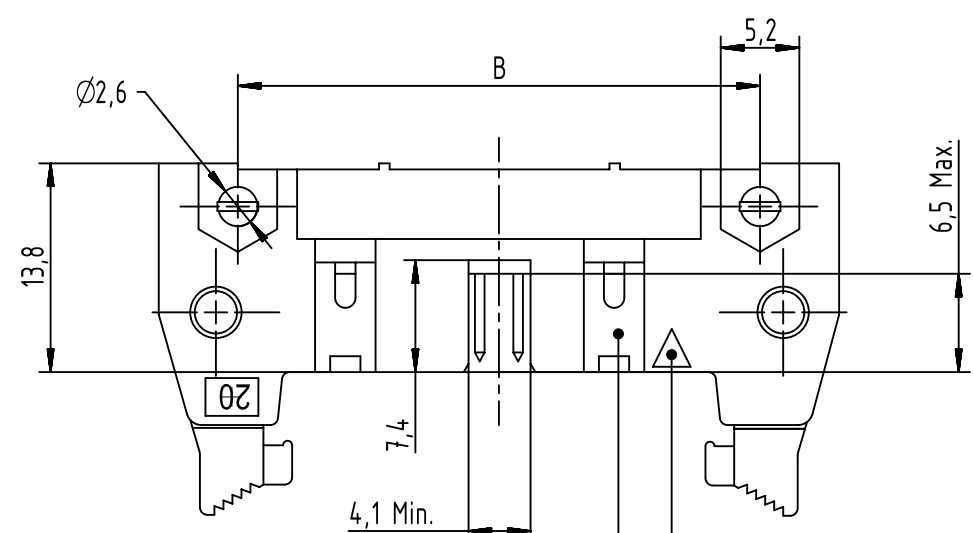
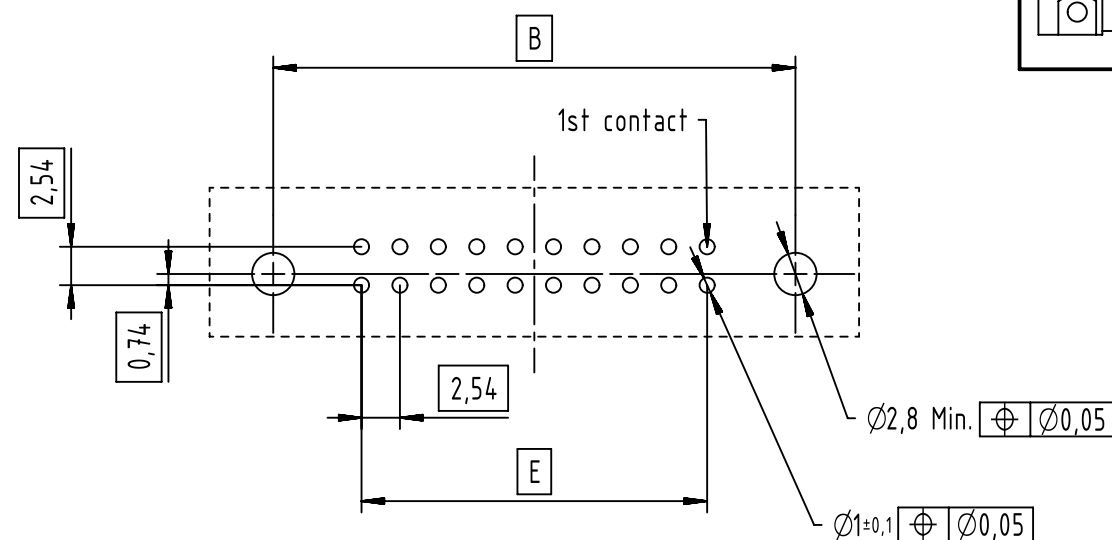
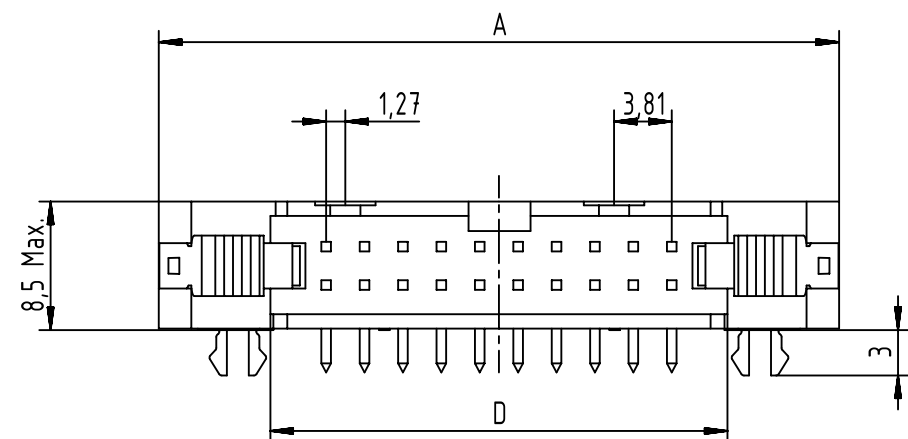
Email & Skype: info@chipsmall.com Web: www.chipsmall.com

Address: A1208, Overseas Decoration Building, #122 Zhenhua RD., Futian, Shenzhen, China





Coding style table	
	Style A: For connector 6 poles
	Style B: For connectors from 10 to 14 poles
	Style C: For connectors from 16 to 64 poles




1st contact
See tables for coding feature arrangement and style

-Find further technical information on drawings:
DS 09181200001 for 09185xxx96x
DS 09191130201 for 09195xxx96x

	All rights reserved	Created by	Inspected by	Standardisation	Date	State	Doc-Key / ECM-Nr. 100553582/UGD/001/A 50000067148	
	Department EC PD - FR	DOUGE	BAGDIKIAN	HOFFMANN	2013-11-07	Final Release		
HARTING Electronics GmbH D-32339 Espelkamp		Title SEK male STD angled with short levers and board locks			Type TB	Number 091X5XXX96X	Rev. A	Page 1/2

Performance Level				Dimensions (mm)						
	PL3 : 50 mating Cycles No Gas Test	PL2 : 250 mating Cycles 4 day Gas Test	S4 : 0,76µm Au or equivalent PdNi							
Nb of Contacts	Part Number	Part Number	Part Number	Solder process	Contact Length ±0,3(mm)	A Max	B	D	E	F
06	0918 506 7963	0918 506 6963	0918 506 5963	wave Soldering	2,9	27,2	16,76	12,45	2,54 x 2 = 5,08	36,9
10	0918 510 7963	0918 510 6963	0918 510 5963			32,3	21,84	17,53	2,54 x 4 = 10,16	42,0
14	0918 514 7963	0918 514 6963	0918 514 5963			37,4	26,92	22,61	2,54 x 6 = 15,24	47,1
16	0918 516 7963	0918 516 6963	0918 516 5963			39,9	29,46	25,15	2,54 x 7 = 17,78	49,6
20	0918 520 7963	0918 520 6963	0918 520 5963			45,0	34,54	30,23	2,54 x 9 = 22,86	54,7
24	0918 524 7963	0918 524 6963	0918 524 5963			50,1	39,62	35,91	2,54 x 11 = 27,94	59,8
26	0918 526 7963	0918 526 6963	0918 526 5963			52,6	42,16	37,85	2,54 x 12 = 30,48	62,3
30	0918 530 7963	0918 530 6963	0918 530 5963			58,0	47,24	43,83	2,54 x 14 = 35,56	68,2
34	0918 534 7963	0918 534 6963	0918 534 5963			62,8	52,32	48,01	2,54 x 16 = 40,64	72,5
40	0918 540 7963	0918 540 6963	0918 540 5963			70,4	59,94	55,63	2,54 x 19 = 48,26	80,1
50	0918 550 7963	0918 550 6963	0918 550 5963			83,1	72,64	68,33	2,54 x 24 = 60,96	92,8
60	0918 560 7963	0918 560 6963	0918 560 5963			95,8	85,34	81,03	2,54 x 29 = 73,66	105,5
64	0918 564 7963	0918 564 6963	0918 564 5963			100,9	90,42	86,11	2,54 x 31 = 78,74	110,6
06	0919 506 7963	0919 506 6963	0919 506 5963			Wave & Reflow Soldering	2,9	27,2	16,76	12,45
10	0919 510 7963	0919 510 6963	0919 510 5963	32,3	21,84			17,53	2,54 x 4 = 10,16	42,0
14	0919 514 7963	0919 514 6963	0919 514 5963	37,4	26,92			22,61	2,54 x 6 = 15,24	47,1
16	0919 516 7963	0919 516 6963	0919 516 5963	39,9	29,46			25,15	2,54 x 7 = 17,78	49,6
20	0919 520 7963	0919 520 6963	0919 520 5963	45,0	34,54			30,23	2,54 x 9 = 22,86	54,7
24	0919 524 7963	0919 524 6963	0919 524 5963	50,1	39,62			35,91	2,54 x 11 = 27,94	59,8
26	0919 526 7963	0919 526 6963	0919 526 5963	52,6	42,16			37,85	2,54 x 12 = 30,48	62,3
30	0919 530 7963	0919 530 6963	0919 530 5963	58,0	47,24			43,83	2,54 x 14 = 35,56	68,2
34	0919 534 7963	0919 534 6963	0919 534 5963	62,8	52,32			48,01	2,54 x 16 = 40,64	72,5
40	0919 540 7963	0919 540 6963	0919 540 5963	70,4	59,94			55,63	2,54 x 19 = 48,26	80,1
50	0919 550 7963	0919 550 6963	0919 550 5963	83,1	72,64			68,33	2,54 x 24 = 60,96	92,8
60	0919 560 7963	0919 560 6963	0919 560 5963	95,8	85,34			81,03	2,54 x 29 = 73,66	105,5
64	0919 564 7963	0919 564 6963	0919 564 5963	100,9	90,42			86,11	2,54 x 31 = 78,74	110,6

	All Dimensions in mm Original Size DIN A3	Scale 2:1	Free size tol.	Ref.
	All rights reserved Department EC PD - FR	Created by DOUGE	Inspected by BAGDIKIAN	Standardisation HOFFMANN
HARTING Electronics GmbH D-32339 Espelkamp	Title SEK male STD angled with short levers and board locks			Doc-Key / ECM-Nr. 100553582/UGD/001/A 50000067148
	Type TB	Number 091X5XXX96X	Rev. A	Page 2/2