



Chipsmall Limited consists of a professional team with an average of over 10 year of expertise in the distribution of electronic components. Based in Hongkong, we have already established firm and mutual-benefit business relationships with customers from,Europe,America and south Asia,supplying obsolete and hard-to-find components to meet their specific needs.

With the principle of "Quality Parts,Customers Priority,Honest Operation,and Considerate Service",our business mainly focus on the distribution of electronic components. Line cards we deal with include Microchip,ALPS,ROHM,Xilinx,Pulse,ON,Everlight and Freescale. Main products comprise IC,Modules,Potentiometer,IC Socket,Relay,Connector.Our parts cover such applications as commercial,industrial, and automotives areas.

We are looking forward to setting up business relationship with you and hope to provide you with the best service and solution. Let us make a better world for our industry!



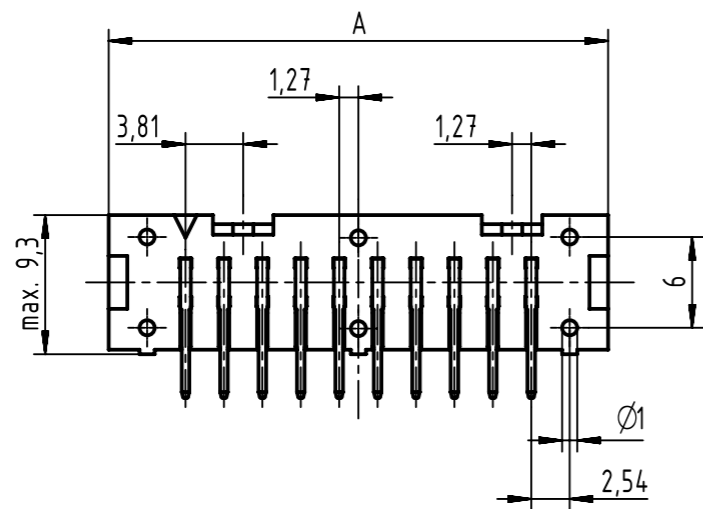
Contact us

Tel: +86-755-8981 8866 Fax: +86-755-8427 6832

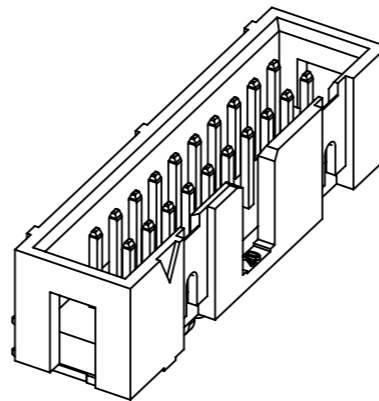
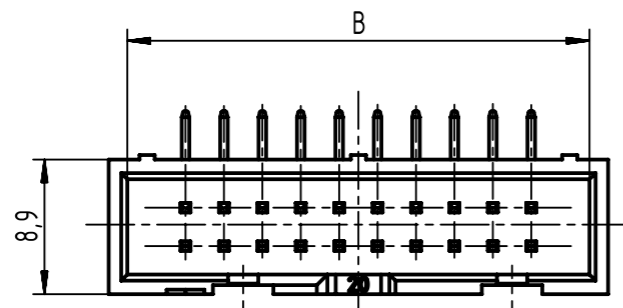
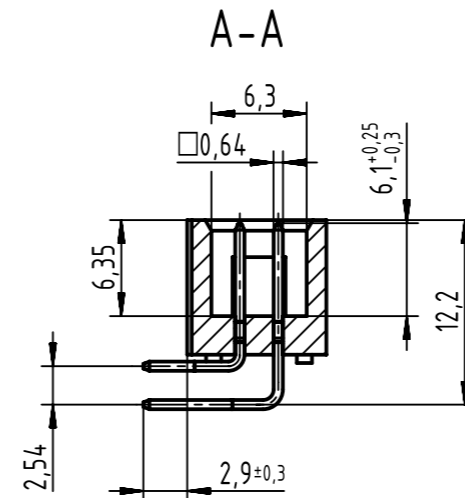
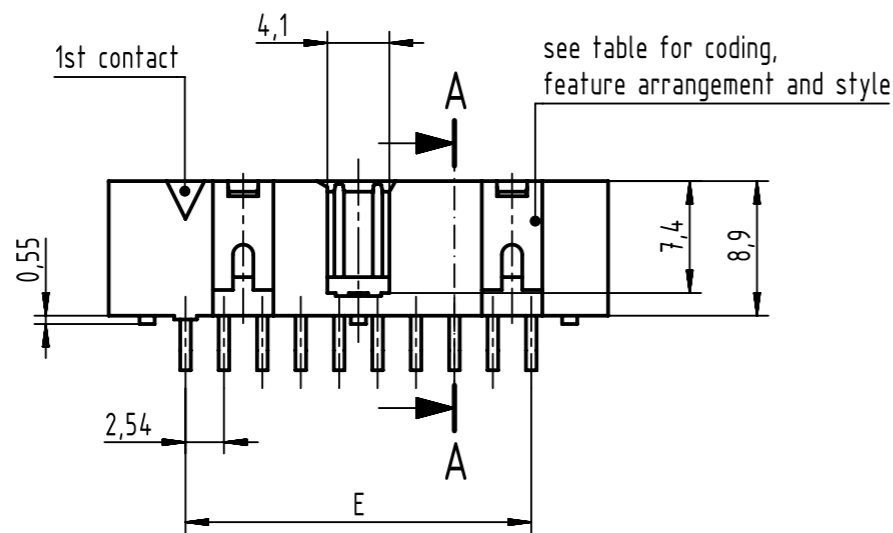
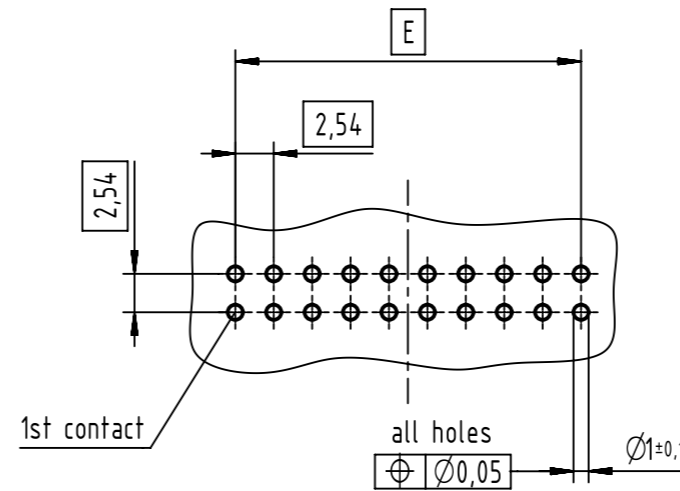
Email & Skype: info@chipsmall.com Web: www.chipsmall.com

Address: A1208, Overseas Decoration Building, #122 Zhenhua RD., Futian, Shenzhen, China





PCB layout
view component side
thickness 1,6




further more information
see DS 09191230201

full range of P/N's and
dimensions shown on page 2/2

coding style table	
	style A: for connectors 6-pole
	style B: for connectors from 10 to 14-pole
	style C: for connectors from 16 to 64-pole

	All rights reserved Department EC PD - DE	Created by STORCK	Inspected by LEHNERT	Standardisation HOFFMANN	Date 2015-12-07	State Final Release	Ref. Sub. TB 09195XXX323 / 50000068837 / 2014-05-16
	HARTING Electronics GmbH D-32339 Espelkamp	Title SEK 19 male low profile angled solder 2.9			Type TB	Number 09195XXX323	Doc-Key / ECM-Nr. 100154466/UGD/012/A 50000094890
						Rev. A	Page 1/2

1	2		3	4	5	6	7	8				
A	performance level			insulator colour	remark	dimensions						
	no. of contacts	part number	part number			part number	A max.	B	E			
	PL3	PL2	S4									
B	06	09 19 506 7323	09 19 506 6323	09 19 506 5323	beige	-	15,4	12,78	2,54 x 2 = 5,08			
	10	09 19 510 7323	09 19 510 6323	09 19 510 5323			20,5	17,86	2,54 x 4 = 10,16			
	14	09 19 514 7323	09 19 514 6323	09 19 514 5323			25,6	22,94	2,54 x 6 = 15,24			
	16	09 19 516 7323	09 19 516 6323	09 19 516 5323			28,1	25,48	2,54 x 7 = 17,78			
	20	09 19 520 7323	09 19 520 6323	09 19 520 5323			33,2	30,56	2,54 x 9 = 22,86			
	26	09 19 526 7323	09 19 526 6323	09 19 526 5323			40,8	38,18	2,54 x 12 = 30,48			
	30	09 19 530 7323	09 19 530 6323	09 19 530 5323			45,9	43,26	2,54 x 14 = 35,56			
	34	09 19 534 7323	09 19 534 6323	09 19 534 5323			51,0	48,34	2,54 x 16 = 40,64			
	40	09 19 540 7323	09 19 540 6323	09 19 540 5323			58,6	55,96	2,54 x 19 = 48,26			
	50	09 19 550 7323	09 19 550 6323	09 19 550 5323			71,5	68,66	2,54 x 24 = 60,96			
	60	09 19 560 7323	09 19 560 6323	09 19 560 5323			84,2	81,36	2,54 x 29 = 73,66			
	64	09 19 564 7323	09 19 564 6323	09 19 564 5323			89,3	86,44	2,54 x 31 = 78,74			
	C	06	09 19 506 7323 001	09 19 506 6323 001			09 19 506 5323 001	black	-	15,4	12,78	2,54 x 2 = 5,08
		10	09 19 510 7323 001	09 19 510 6323 001			09 19 510 5323 001			20,5	17,86	2,54 x 4 = 10,16
		14	09 19 514 7323 001	09 19 514 6323 001			09 19 514 5323 001			25,6	22,94	2,54 x 6 = 15,24
		16	09 19 516 7323 001	09 19 516 6323 001			09 19 516 5323 001			28,1	25,48	2,54 x 7 = 17,78
20		09 19 520 7323 001	09 19 520 6323 001	09 19 520 5323 001	33,2	30,56	2,54 x 9 = 22,86					
26		09 19 526 7323 001	09 19 526 6323 001	09 19 526 5323 001	40,8	38,18	2,54 x 12 = 30,48					
30		09 19 530 7323 001	09 19 530 6323 001	09 19 530 5323 001	45,9	43,26	2,54 x 14 = 35,56					
34		09 19 534 7323 001	09 19 534 6323 001	09 19 534 5323 001	51,0	48,34	2,54 x 16 = 40,64					
40		09 19 540 7323 001	09 19 540 6323 001	09 19 540 5323 001	58,6	55,96	2,54 x 19 = 48,26					
50		09 19 550 7323 001	09 19 550 6323 001	09 19 550 5323 001	71,5	68,66	2,54 x 24 = 60,96					
60		09 19 560 7323 001	09 19 560 6323 001	09 19 560 5323 001	84,2	81,36	2,54 x 29 = 73,66					
64		09 19 564 7323 001	09 19 564 6323 001	09 19 564 5323 001	89,3	86,44	2,54 x 31 = 78,74					
D		06	09 19 506 7323 740	09 19 506 6323 740	09 19 506 5323 740	beige	vacuum cover tape & reel packaging			15,4	12,78	2,54 x 2 = 5,08
		10	09 19 510 7323 740	09 19 510 6323 740	09 19 510 5323 740					20,5	17,86	2,54 x 4 = 10,16
		14	09 19 514 7323 740	09 19 514 6323 740	09 19 514 5323 740					25,6	22,94	2,54 x 6 = 15,24
		16	09 19 516 7323 740	09 19 516 6323 740	09 19 516 5323 740					28,1	25,48	2,54 x 7 = 17,78
	20	09 19 520 7323 740	09 19 520 6323 740	09 19 520 5323 740	33,2			30,56	2,54 x 9 = 22,86			
	26	09 19 526 7323 740	09 19 526 6323 740	09 19 526 5323 740	40,8			38,18	2,54 x 12 = 30,48			
	30	09 19 530 7323 740	09 19 530 6323 740	09 19 530 5323 740	45,9			43,26	2,54 x 14 = 35,56			
	34	09 19 534 7323 740	09 19 534 6323 740	09 19 534 5323 740	51,0			48,34	2,54 x 16 = 40,64			
	40	09 19 540 7323 740	09 19 540 6323 740	09 19 540 5323 740	58,6			55,96	2,54 x 19 = 48,26			
	50	09 19 550 7323 740	09 19 550 6323 740	09 19 550 5323 740	71,5			68,66	2,54 x 24 = 60,96			
	60	09 19 560 7323 740	09 19 560 6323 740	09 19 560 5323 740	84,2			81,36	2,54 x 29 = 73,66			
	64	09 19 564 7323 740	09 19 564 6323 740	09 19 564 5323 740	89,3			86,44	2,54 x 31 = 78,74			
	E	06	09 19 506 7323 741	09 19 506 6323 741	09 19 506 5323 741			black	vacuum cover tape & reel packaging	15,4	12,78	2,54 x 2 = 5,08
		10	09 19 510 7323 741	09 19 510 6323 741	09 19 510 5323 741					20,5	17,86	2,54 x 4 = 10,16
		14	09 19 514 7323 741	09 19 514 6323 741	09 19 514 5323 741					25,6	22,94	2,54 x 6 = 15,24
		16	09 19 516 7323 741	09 19 516 6323 741	09 19 516 5323 741					28,1	25,48	2,54 x 7 = 17,78
20		09 19 520 7323 741	09 19 520 6323 741	09 19 520 5323 741	33,2	30,56	2,54 x 9 = 22,86					
26		09 19 526 7323 741	09 19 526 6323 741	09 19 526 5323 741	40,8	38,18	2,54 x 12 = 30,48					
30		09 19 530 7323 741	09 19 530 6323 741	09 19 530 5323 741	45,9	43,26	2,54 x 14 = 35,56					
34		09 19 534 7323 741	09 19 534 6323 741	09 19 534 5323 741	51,0	48,34	2,54 x 16 = 40,64					
40		09 19 540 7323 741	09 19 540 6323 741	09 19 540 5323 741	58,6	55,96	2,54 x 19 = 48,26					
50		09 19 550 7323 741	09 19 550 6323 741	09 19 550 5323 741	71,5	68,66	2,54 x 24 = 60,96					
60		09 19 560 7323 741	09 19 560 6323 741	09 19 560 5323 741	84,2	81,36	2,54 x 29 = 73,66					
64		09 19 564 7323 741	09 19 564 6323 741	09 19 564 5323 741	89,3	86,44	2,54 x 31 = 78,74					

	All rights reserved		Scale 1:1		Free size tol.		Ref.	
	Department EC PD - DE		Created by STORCK		Inspected by LEHNERT		Standardisation HOFFMANN	
HARTING Electronics GmbH		Title SEK 19 male low profile angled solder 2.9		Date 2015-12-07		State Final Release		
D-32339 Espelkamp		Type TB		Number 09195XXX323		Doc-Key / ECM-Nr. 100154466/UGD/012/A 50000094890		
						Rev. A		
						Page 2/2		