



Chipsmall Limited consists of a professional team with an average of over 10 year of expertise in the distribution of electronic components. Based in Hongkong, we have already established firm and mutual-benefit business relationships with customers from,Europe,America and south Asia,supplying obsolete and hard-to-find components to meet their specific needs.

With the principle of "Quality Parts,Customers Priority,Honest Operation,and Considerate Service",our business mainly focus on the distribution of electronic components. Line cards we deal with include Microchip,ALPS,ROHM,Xilinx,Pulse,ON,Everlight and Freescale. Main products comprise IC,Modules,Potentiometer,IC Socket,Relay,Connector.Our parts cover such applications as commercial,industrial, and automotives areas.

We are looking forward to setting up business relationship with you and hope to provide you with the best service and solution. Let us make a better world for our industry!



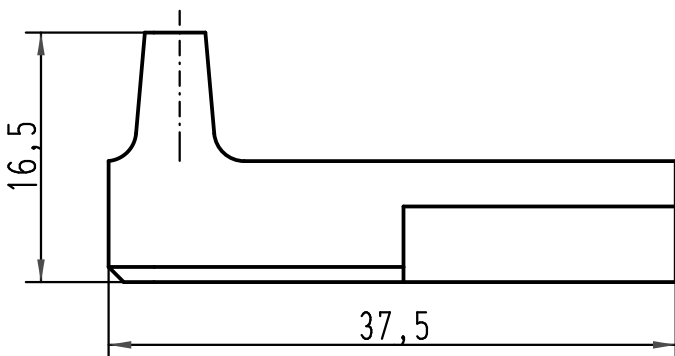
Contact us

Tel: +86-755-8981 8866 Fax: +86-755-8427 6832

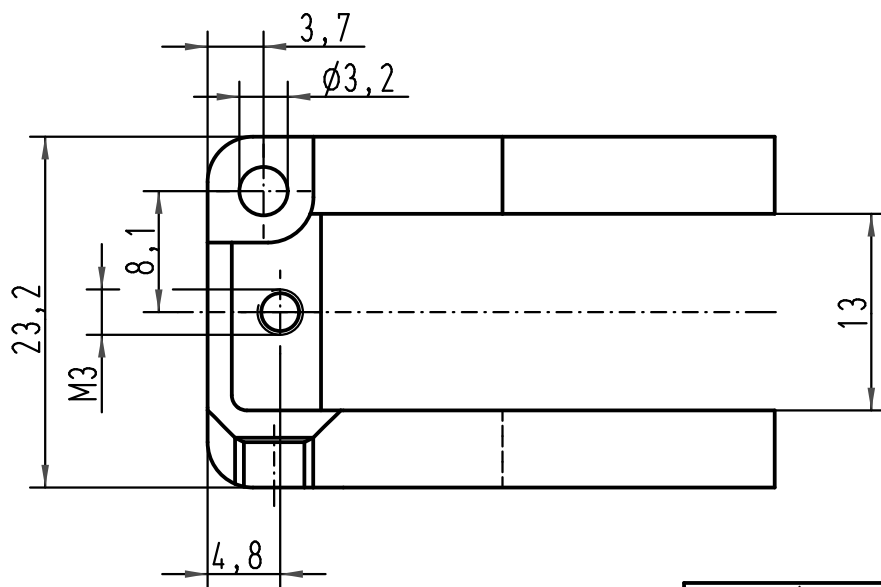
Email & Skype: info@chipsmall.com Web: www.chipsmall.com

Address: A1208, Overseas Decoration Building, #122 Zhenhua RD., Futian, Shenzhen, China

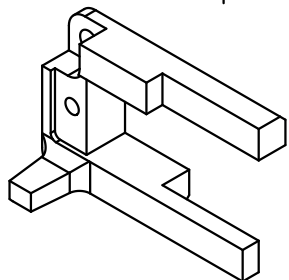




Lieferumfang/ *range of delivery*: 2 Adapterblöcke/ *2 adapter blocks*
 2 Zylinderschrauben M3x6 ISO 1207-4,8 zur Befestigung des D-Sub Steckverbinders/ *cheese head screws M3x6 ISO 1207-4.8 for fixing of D-Sub connectors*
 2 Federringe B3 DIN 127/ *2 spring washer B3 DIN 127*
 2 ±-Kombischrauben M3 zur Befestigung der Adapterblöcke im Han Gehäuse/ *2 ±multiple purpose screws M3 for fixing of adapter blocks in Han hoods/housings*



Verwendbare Gehäuse: Han 10/16A Tüllengehäuse
usable hoods/housings: Han 10/16A top-, side- entry hoods
 Han 10/16A Sockelgehäuse
Han 10/16A surface mounted housings
 Han 10/16A Anbaugehäuse
Han 10/16A bulkhead mounted housings



All Dimensions in mm Original Size DIN A 4			Techn. Character.			Nicht tolerierte Maß/ <i>Free size tolerances</i>		
				Dat.	Name	Maßstab/ <i>Scale</i>	D-Sub Adapterblock in Han 10/16A Gehäuse	
			Detail.	12.11.93	ZILK			
			Insp.		HERB			
			Stand.					
413155	27.08.07	Ho	HARTING Electric GmbH & Co. KG				TB 09 20 000 9925	
25625	01.04.99	PL	D-32339 Espelkamp					
Mod.	Dat.	Name						
							Sub.	Blatt/ <i>page</i>