



Chipsmall Limited consists of a professional team with an average of over 10 year of expertise in the distribution of electronic components. Based in Hongkong, we have already established firm and mutual-benefit business relationships with customers from,Europe,America and south Asia,supplying obsolete and hard-to-find components to meet their specific needs.

With the principle of “Quality Parts,Customers Priority,Honest Operation,and Considerate Service”,our business mainly focus on the distribution of electronic components. Line cards we deal with include Microchip,ALPS,ROHM,Xilinx,Pulse,ON,Everlight and Freescale. Main products comprise IC,Modules,Potentiometer,IC Socket,Relay,Connector.Our parts cover such applications as commercial,industrial, and automotives areas.

We are looking forward to setting up business relationship with you and hope to provide you with the best service and solution. Let us make a better world for our industry!



Contact us

Tel: +86-755-8981 8866 Fax: +86-755-8427 6832

Email & Skype: info@chipsmall.com Web: www.chipsmall.com

Address: A1208, Overseas Decoration Building, #122 Zhenhua RD., Futian, Shenzhen, China



5

4

3

2

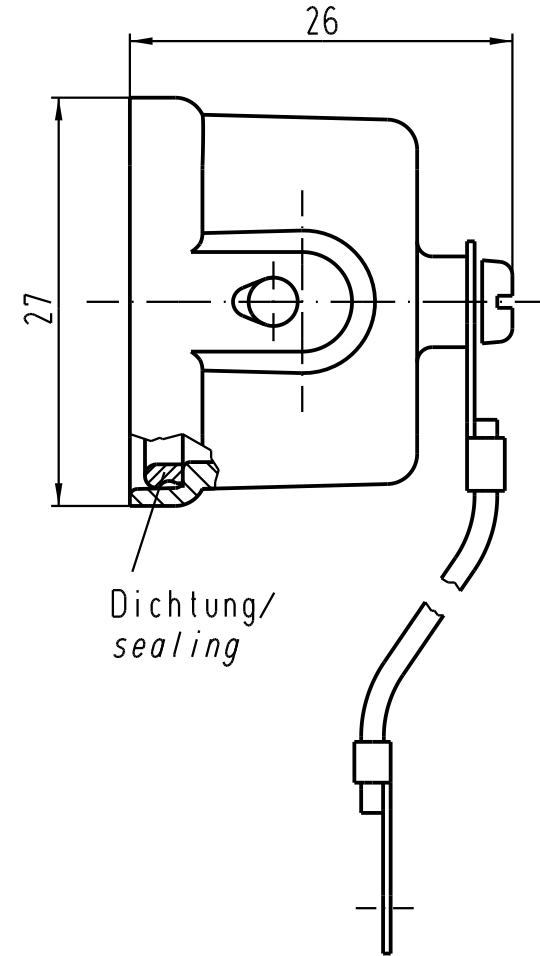
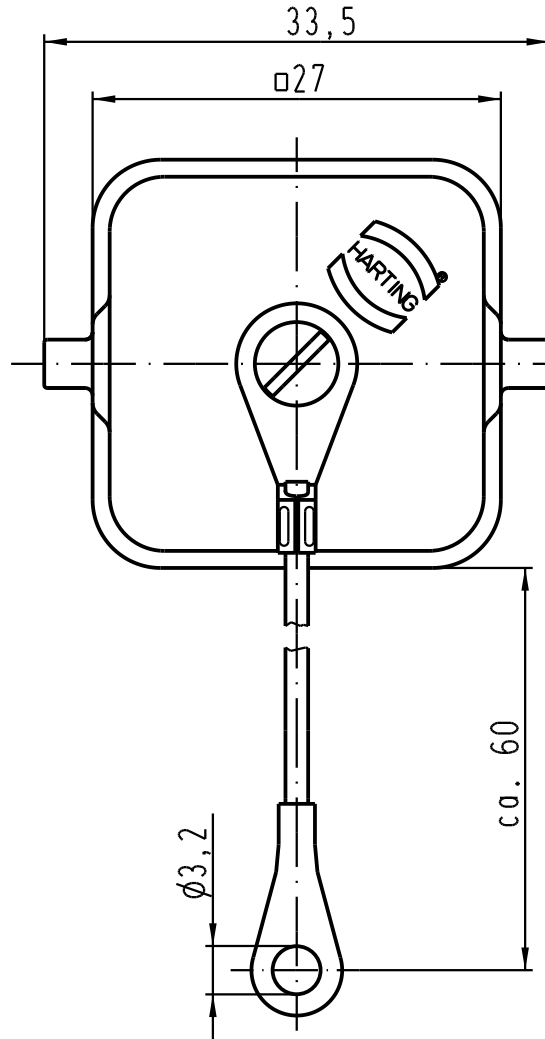
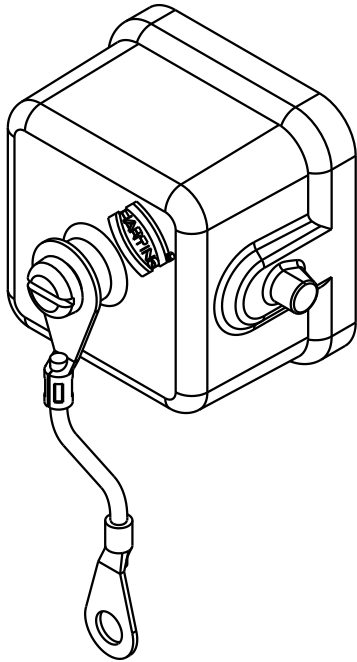
1

D

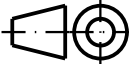

C

B

A



für Gehäuseunterteile mit bu-Einsatz/
for housings with female insert

 All Dimensions in mm Original Size DIN A 4			Techn. Character.			Nicht tolerierte Masse/ Free size tolerances	
				Dat.	Name	Massstab/Scale	
411215	25.08.04	Ho	Detail.	09.03.93	PENNER	2:1	
410249	10.12.02	Gü	Insp.		HERB		
410008	04.04.02	Gü	Stand.				
25852	16.04.99	PL	HARTING Electric GmbH & Co. KG			TB 09 20 003 5425 Metallabdeckkappe mit Dichtung/ metal cover with sealing	
15890	22.11.93	SPER	D-32339 Espelkamp				
Mod.	Dat.	Name					
						 TB 09 20 003 5425 v. 06.11.91	
						Blatt/ page	