



Chipsmall Limited consists of a professional team with an average of over 10 year of expertise in the distribution of electronic components. Based in Hongkong, we have already established firm and mutual-benefit business relationships with customers from,Europe,America and south Asia,supplying obsolete and hard-to-find components to meet their specific needs.

With the principle of “Quality Parts,Customers Priority,Honest Operation,and Considerate Service”,our business mainly focus on the distribution of electronic components. Line cards we deal with include Microchip,ALPS,ROHM,Xilinx,Pulse,ON,Everlight and Freescale. Main products comprise IC,Modules,Potentiometer,IC Socket,Relay,Connector.Our parts cover such applications as commercial,industrial, and automotives areas.

We are looking forward to setting up business relationship with you and hope to provide you with the best service and solution. Let us make a better world for our industry!



Contact us

Tel: +86-755-8981 8866 Fax: +86-755-8427 6832

Email & Skype: info@chipsmall.com Web: www.chipsmall.com

Address: A1208, Overseas Decoration Building, #122 Zhenhua RD., Futian, Shenzhen, China



5

4

3

2

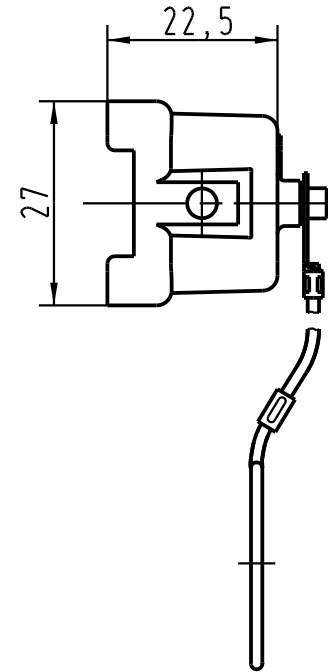
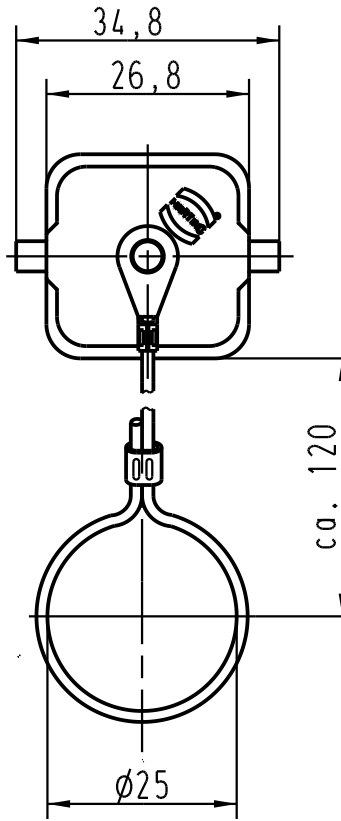
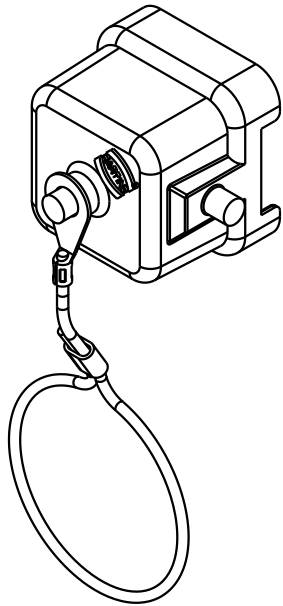
1

D



C

B

A



für Kupplungsgehäuse mit sti-Einsatz/
for hoods (cable to cable) with male insert

 All Dimensions in mm Original Size DIN A 4			Techn. Character.			Nicht tolerierte Masse/ Free size tolerances	
				Dat.	Name	Massstab/ Scale	
412025	13.02.06	Bor	Detail.	22.03.93	PENNER	1 : 1	
411215	25.08.04	Ho	Insp.		HERB.		
29547	20.06.01	ROH.	Stand.				
25852	16.04.99	PL	HARTING Electric GmbH & Co. KG			 TB 09 20 003 5448	
15890	22.11.93	SPER	D-32339 Espelkamp				
Mod.	Dat.	Name				Sub.	

Blatt/ page