



Chipsmall Limited consists of a professional team with an average of over 10 year of expertise in the distribution of electronic components. Based in Hongkong, we have already established firm and mutual-benefit business relationships with customers from,Europe,America and south Asia,supplying obsolete and hard-to-find components to meet their specific needs.

With the principle of "Quality Parts,Customers Priority,Honest Operation,and Considerate Service",our business mainly focus on the distribution of electronic components. Line cards we deal with include Microchip,ALPS,ROHM,Xilinx,Pulse,ON,Everlight and Freescale. Main products comprise IC,Modules,Potentiometer,IC Socket,Relay,Connector.Our parts cover such applications as commercial,industrial, and automotives areas.

We are looking forward to setting up business relationship with you and hope to provide you with the best service and solution. Let us make a better world for our industry!



Contact us

Tel: +86-755-8981 8866 Fax: +86-755-8427 6832

Email & Skype: info@chipsmall.com Web: www.chipsmall.com

Address: A1208, Overseas Decoration Building, #122 Zhenhua RD., Futian, Shenzhen, China



5

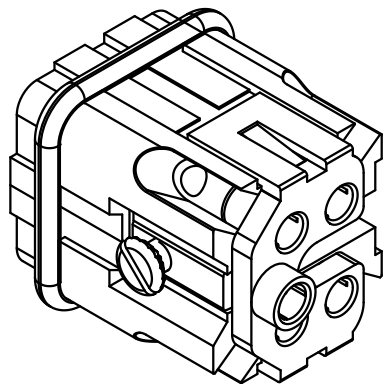
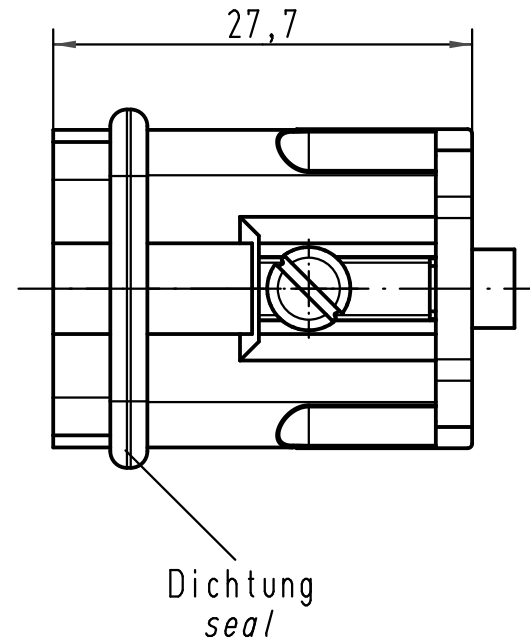
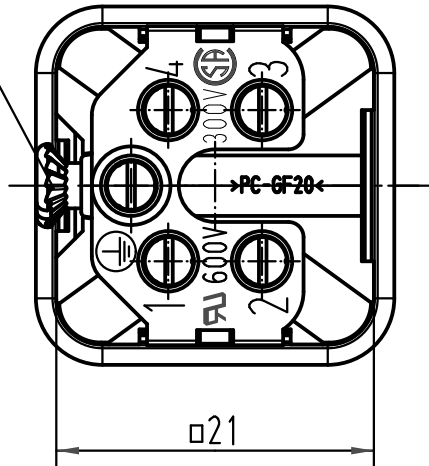
4



3

2

1

Befestigungsschraube
lose beigelegt
*insert fixing screw
seperated enclosed*



 All Dimensions in mm Original Size DIN A 4			Techn. Character.				Nicht tolerierte Maße/Free size tolerances	
414050	01.08.08	Rull		Dat.	Name	Maßstab/Scale 2:1	Han 4A-M Stifteinsatz/male insert	
413664	14.02.08	Rull	Detail.	27.01.93	WILD			
410629	28.11.03	ML	Insp.		HERB			
410228	18.10.02	Loe.	Stand.					
27851	28.06.00	Pae	HARTING Electric GmbH & Co. KG				TB 09 20 004 2611	
25852	16.04.99	PL	D-32339 Espelkamp					
Mod.	Dat.	Name						
							Sub. f. TB 09 20 004 2611 v. 01.10.92	Blatt/page