



Chipsmall Limited consists of a professional team with an average of over 10 year of expertise in the distribution of electronic components. Based in Hongkong, we have already established firm and mutual-benefit business relationships with customers from,Europe,America and south Asia,supplying obsolete and hard-to-find components to meet their specific needs.

With the principle of “Quality Parts,Customers Priority,Honest Operation,and Considerate Service”,our business mainly focus on the distribution of electronic components. Line cards we deal with include Microchip,ALPS,ROHM,Xilinx,Pulse,ON,Everlight and Freescale. Main products comprise IC,Modules,Potentiometer,IC Socket,Relay,Connector.Our parts cover such applications as commercial,industrial, and automotives areas.

We are looking forward to setting up business relationship with you and hope to provide you with the best service and solution. Let us make a better world for our industry!



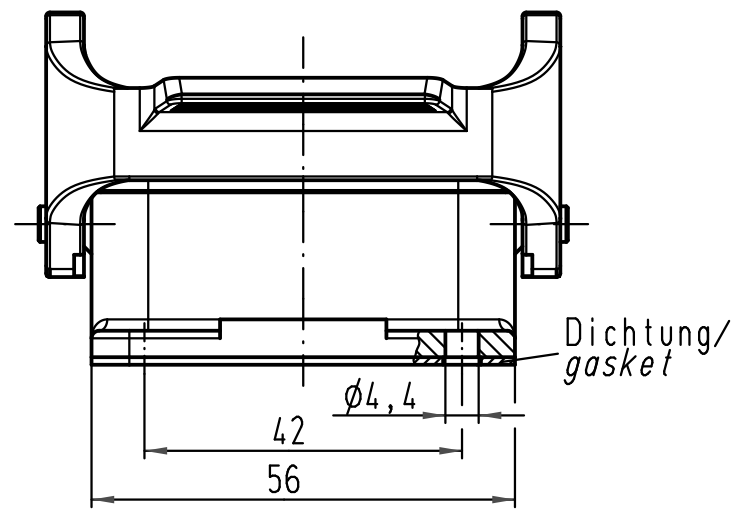
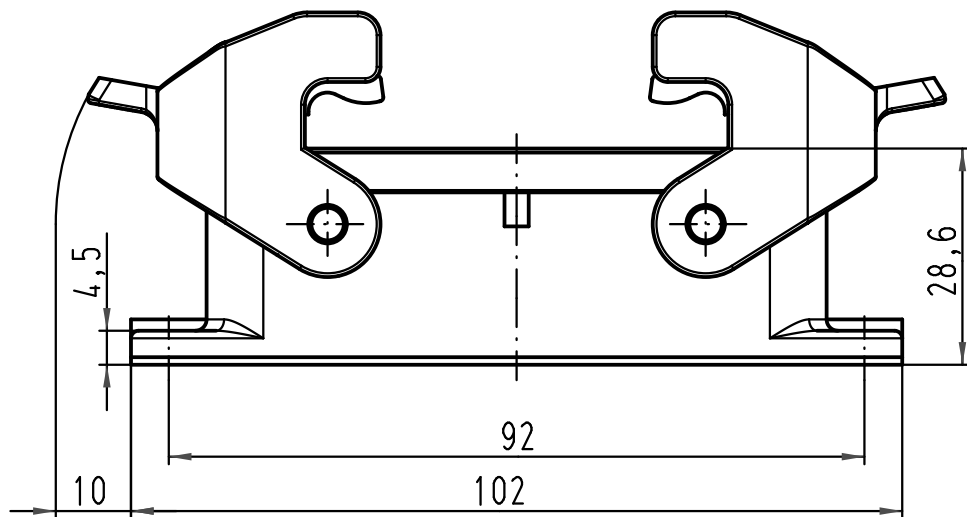
## Contact us

Tel: +86-755-8981 8866 Fax: +86-755-8427 6832

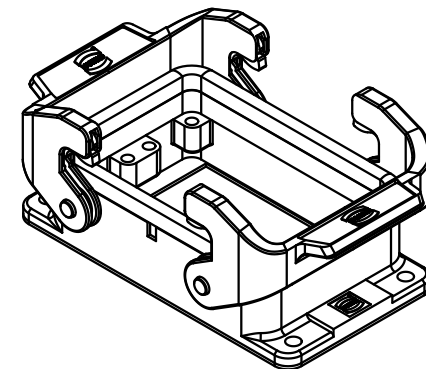
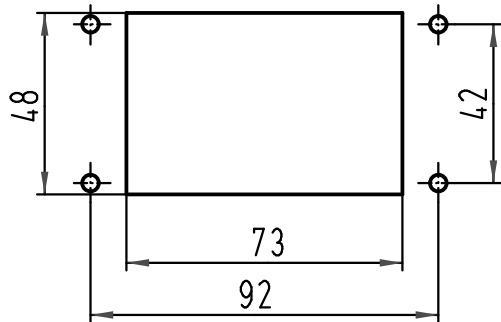
Email & Skype: info@chipsmall.com Web: www.chipsmall.com



Address: A1208, Overseas Decoration Building, #122 Zhenhua RD., Futian, Shenzhen, China





Montageausschnitt/  
panel cut-out  
1:2



 All Dimensions in mm Original Size DIN A 4			Techn. Character.			Nicht tolerierte Masse/ Free size tolerances	
				Dat.	Name	1:1 1:2	<b>Han 32A-agg-QB</b> Anbaugeschäse/ housing bulkhead mounting
			Detail.	02.03.93	MEIER		
			Insp.		HERB		
412752	28.02.07	Ho	Stand.		NÖTZEL		
24772	18.09.98	PL	HARTING Electric GmbH & Co. KG D-32339 Espelkamp				<b>TB 09 20 032 0301</b>
15042	04.06.93	HERB					
Mod.	Dat.	Name					Sub. TB 09 20 032 0301 v. 02.03.98